

Fittings for OUTDOOR furniture



Steamer chair fittings



Steamer chair made by Alexander Rose



- high quality furniture fittings





- high quality furniture fittings

SISO A/S
MILEPARKEN 11
DK - 2740 SKOVLUNDE
(COPENHAGEN)
DENMARK
PHONE: (+45) 45 830 900
FAX: (+45) 45 830 444
E-MAIL: SISO@SISO.DK
WWW.SISO.DK

All specifications stated in the catalogue are errors and omissions excepted

SISO A/S tager forbehold for trykfejl samt ændringer i produktets specifikationer.

Für Druckfehler und Irrtümer ist jede Haftung ausgeschlossen. Produktänderungen behalten wir uns vor.

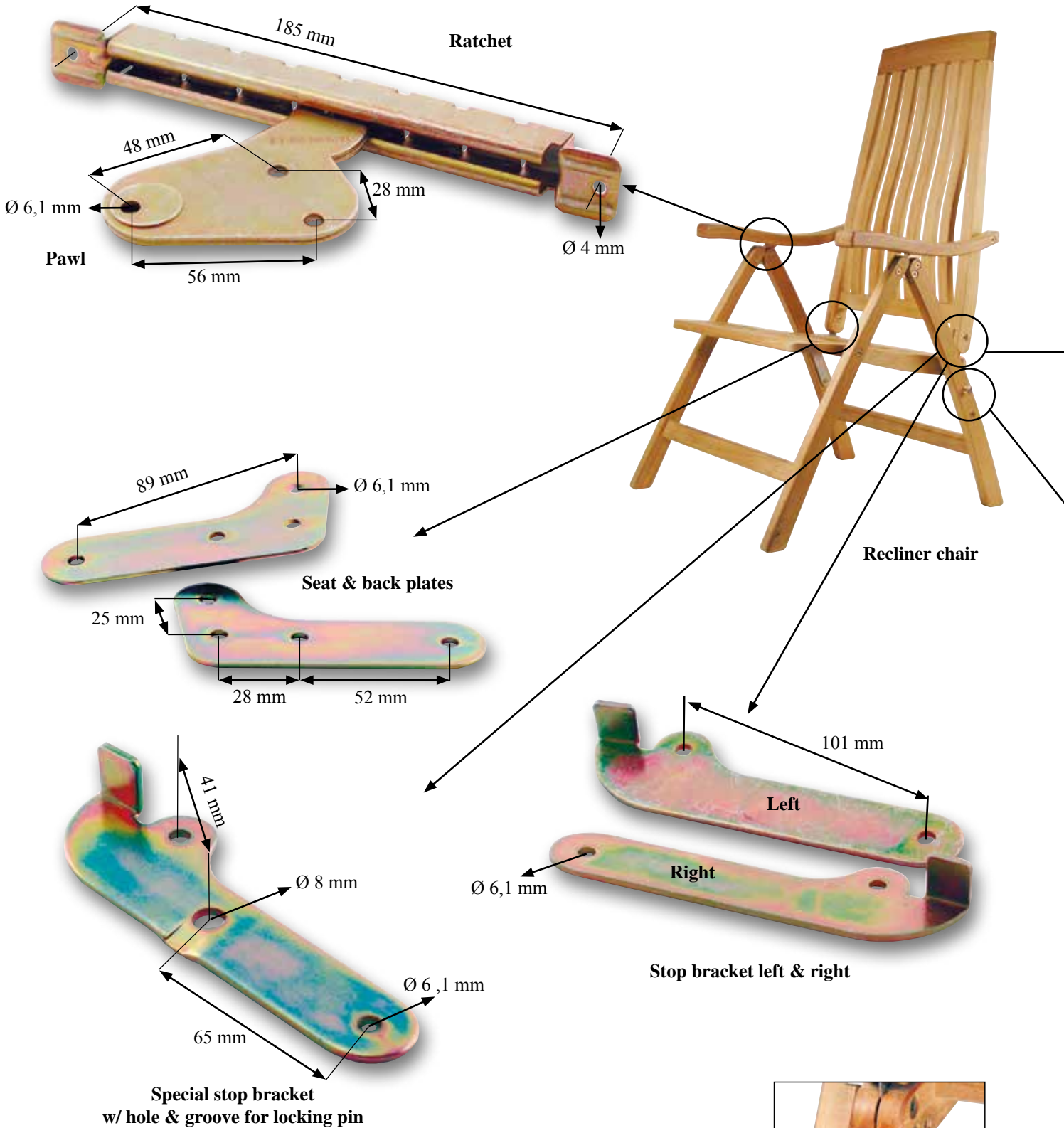
DISTRIBUTOR



FITTINGS FOR OUTDOOR FURNITURE	4-39
RECLINER CHAIR FITTINGS	4-5
STEAMER CHAIR FITTINGS	6-7
U-BRACKETS & STRAPS	8
UMBRELLA RINGS & HINGES	9-11
HINGES	12-13
HINGE & SWING SEAT SPRING	14
HEAVY DUTY CUSHION BOX HINGES SS-304	15
FITTINGS FOR CUSHION BOX	16-19
PNEUMATIC EXPANSION SPRING FOR LAUNDRY BOXES	20-21
KNOCK DOWN SYSTEM S	22-23
BRASS COMBIFIX HEADS	24-27
STEEL COMBIFIX HEADS	27-28
FIFTEEN SCREWS & BOLTS	29
CROSS DOWELS	30
INSEX SCREWS & MUSHROOM SCREWS	31
INSEX COVERS & INSEX COLLARS	32
INSEX COLLARS, DRILL BIT & SPACERS	33
INSEX KEYS	34
SCREWS	35
BUSHINGS	36-39
FITTINGS FOR GARDEN TABLES	40-59
SPLIT FRAMES	41-45
HIDE AWAY MECHANISM	46
LEG CORNER BRACKETS, NUTS & WING NUT	47-48
LOCKING PIN & HOOKS	49
HANGERBOLTS & SS-SCREWS, NUTS & WASHERS	50-51
TWISTER - THE LEG CONNECTOR	52-53
LAZY SUSAN	54
CATCH # 22	55
SURF - THE TABLE CONNECTOR	56-57
PINS, SPANNERS & HINGES	58-61



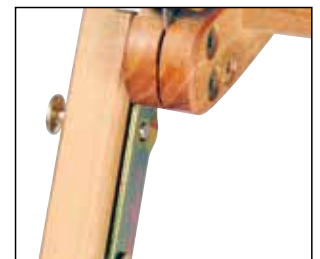
RECLINER CHAIR FITTINGS



SPECIAL STOP BRACKET W/ HOLE & GROOVE FOR LOCKING PIN

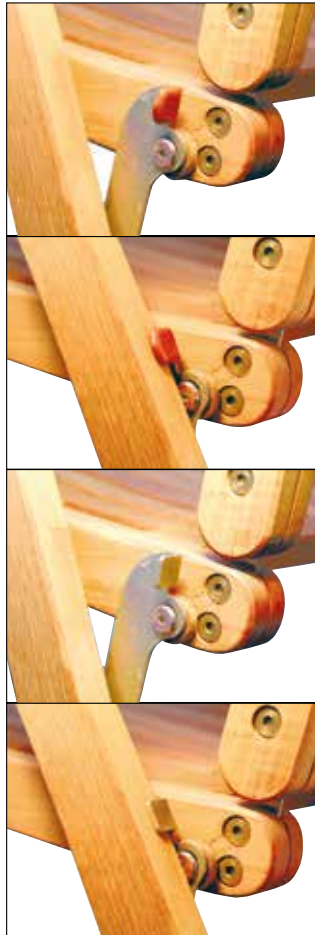
Material: Steel, Yellow Zinc Plated - 8 Micron

1 Stop bracket left (when seated) # 04.04.955

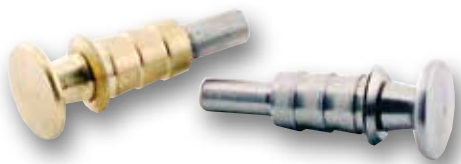


Close up of special stop bracket

RECLINER CHAIR FITTINGS



Stop bracket w/cap in function



Locking pin for recliner chair



Protective PVC cap for stop bracket

LOCKING PIN FOR RECLINER CHAIR



Close up of locking pin

Material: Steel or Stainless Steel (SS) AISI 304

Finish: Steel, Yellow Zinc Plated - 8 Micron
Stainless Steel, Natural

1 Complete set in steel for one recliner chair:

2 Ratchets	# 04.05.010
2 Pawls	# 04.05.015
1 Stop bracket right (when seated)	# 04.04.920
1 Stop bracket left (when seated)	# 04.04.970
2 Seat & back plates	# 04.05.035

1 Complete set in stainless steel for one recliner chair:

2 Ratchets	# 04.05.040
2 Pawls	# 04.05.045
1 Stop bracket right (when seated)	# 04.04.922
1 Stop bracket left (when seated)	# 04.04.972
2 Seat & back plates	# 04.05.036

Optional:

2 Protective PVC caps for stop bracket	# 04.05.028
--	-------------

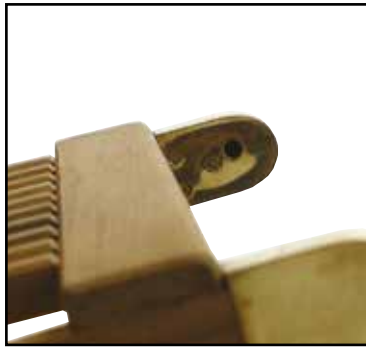
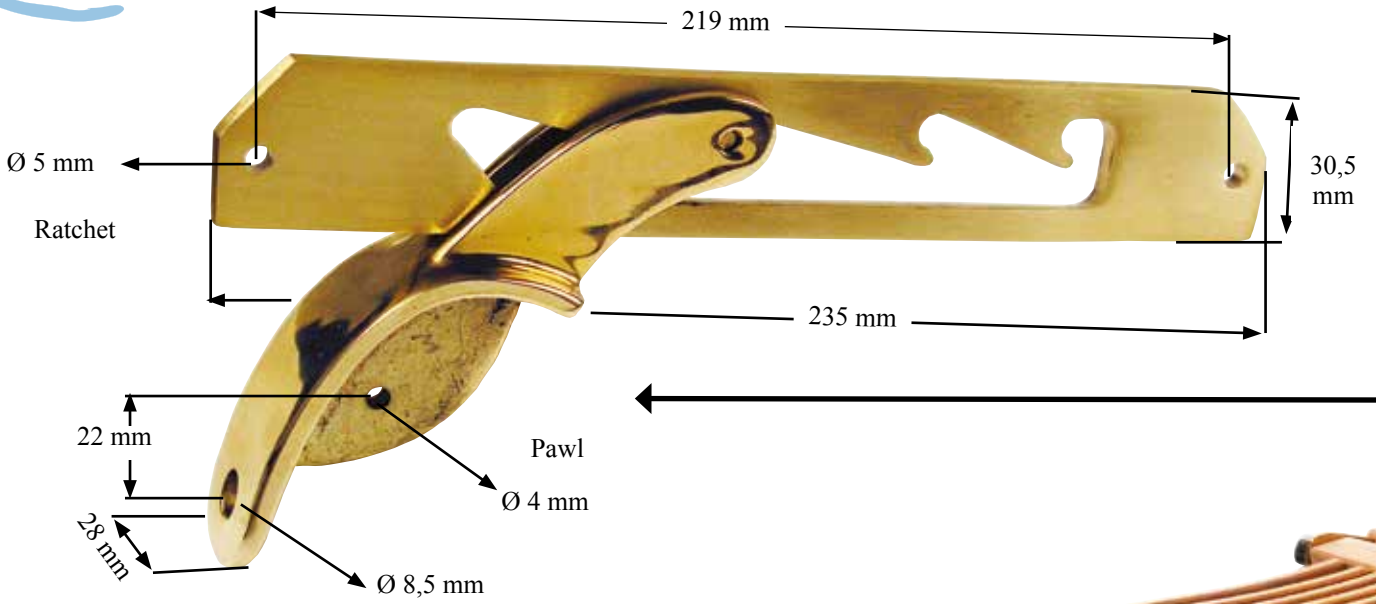
Screws, bolts, nuts & bushings are to be ordered separately according to furniture design, panel thickness etc.

Since 1999 the legislature of the European Union demands that some kind of locking device is obligatory on all folding chairs imported into Europe to prevent the chair from folding accidentally.

Material: Brass (spring & pin made of stainless steel) # 04.05.085
Stainless steel # 04.05.095

Size: Handle: Ø 20 x 12mm
Pin: Ø 7,5 x 15mm
Total length: 50mm

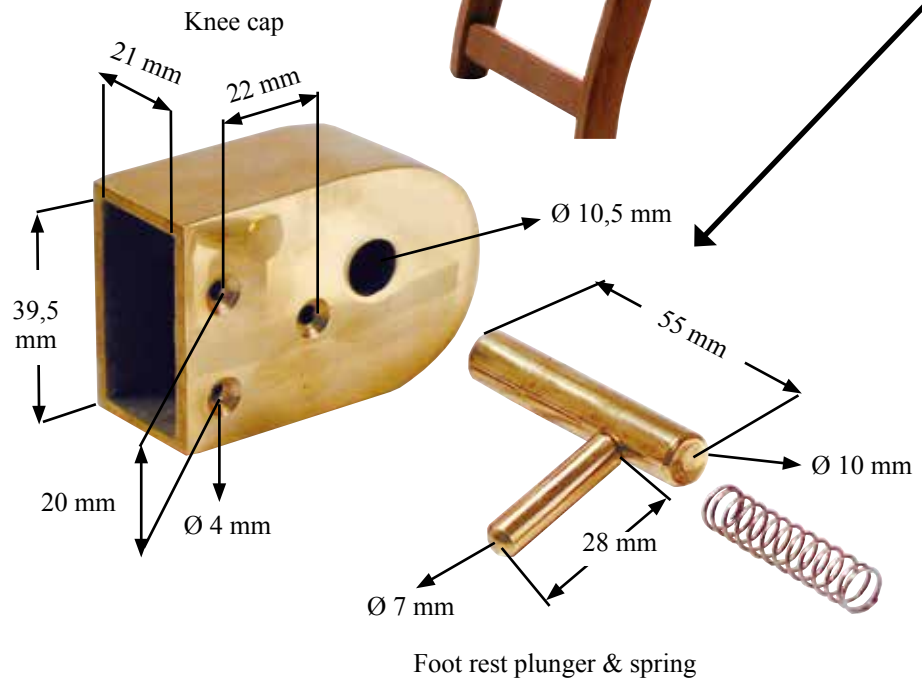
STEAMER CHAIR FITTINGS



Close up of knee cap



Close ups of foot rest plunger



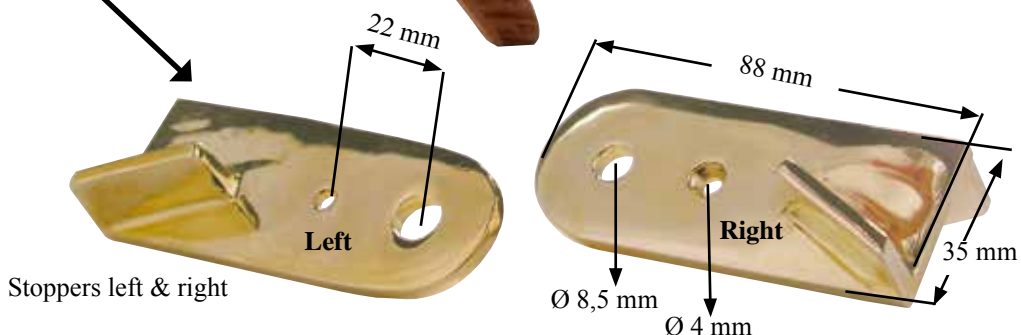
Foot rest plunger & spring



Foot rest plunger in action



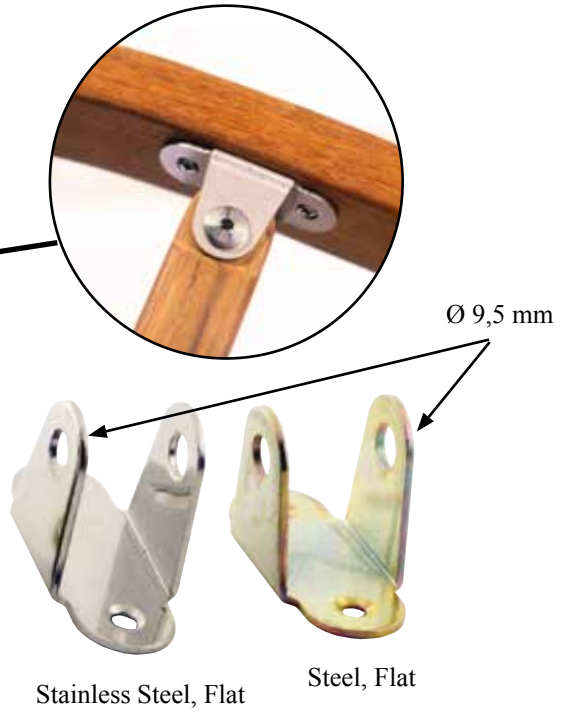
Close up of stopper



STEAMER CHAIR FITTINGS

Material:	Brass
Finish:	Polished
1 Complete set for one steamer chair:	
2 Ratchets in 235 mm length	# 04.03.040
2 Pawls	# 04.03.010
1 Stopper right	# 04.03.021
1 Stopper left	# 04.03.022
Optional:	
2 Knee caps (left & right)	# 04.03.050 (on request)
2 Foot rest plungers	# 04.05.155
Screws, bolts, nuts & bushings are to be ordered separately according to furniture design, panel thickness etc.	

U-BRACKETS & STRAPS



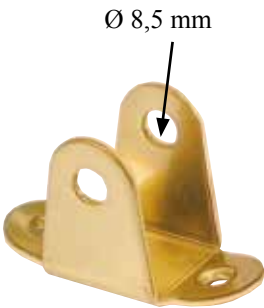
U-BRACKET F/ ARMREST OF FOLDING CHAIR

Material: Brass, Lacquered,
Steel, Yellow Zinc Plated – 8 micron
or Stainless Steel AISI 304 (SS)

Size: 65 mm length x 29 mm outer width
(25 mm inner width) x 39 mm height

Material	Type	Hole	Finish	Item No.
Brass	Bent	Ø 8,5 mm	Lacquered	# 04.03.100
Steel	Flat	Ø 9,5 mm	YZP	# 04.03.103
SS	Flat	Ø 9,5 mm	Natural	# 04.03.104

Other sizes on request



Brass, Bent

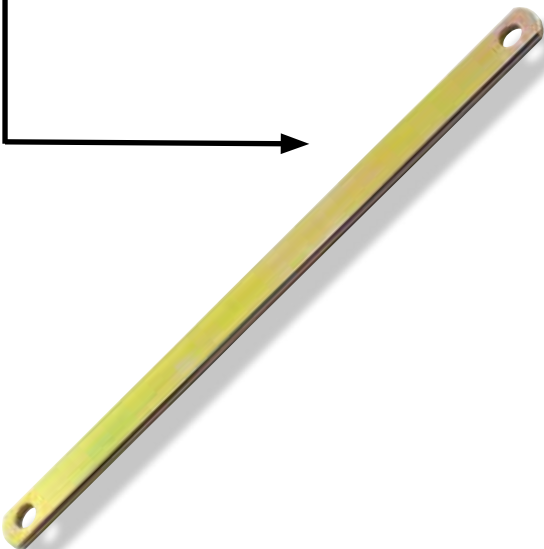
STRAPS

Material: Steel, Yellow Zinc Plated (YZP)
(Stainless Steel or Brass on request)

Thickness: 2 or 3 mm

Material	Length	Width	Finish	Item No.
Steel	245 mm	15 mm	YZP	# 04.03.425
Steel	126,5 mm	16 mm	YZP	# 04.03.432

Other sizes on request



UMBRELLA RING BRASS

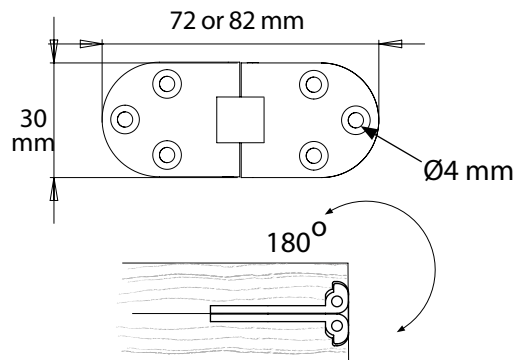
Material: Brass, Natural
 Size: Ø 40 mm inner diameter
 Ø 59,5 mm outer diameter
 5,0 mm thickness # 04.03.500

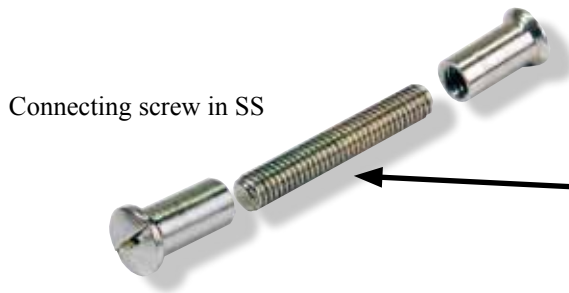


SEWING MACHINE TABLE HINGE

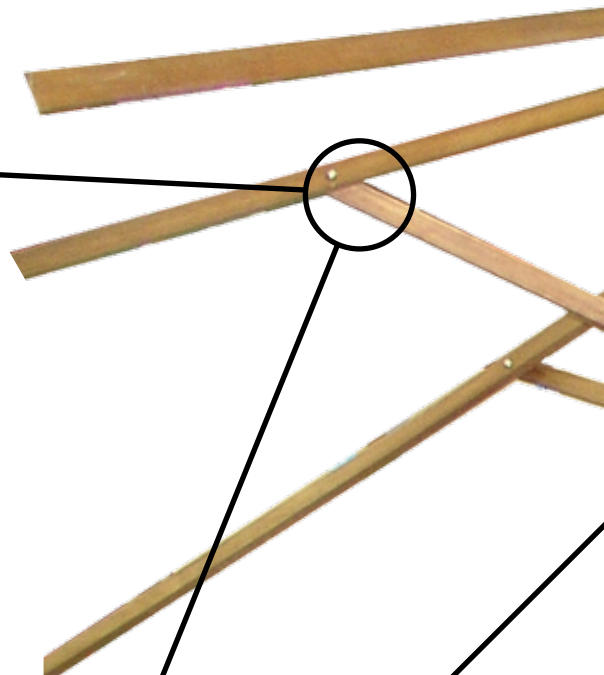
Material: Brass or Stainless Steel (SS) AISI 316
 Screw Holes: Ø 4.0 mm

Sizes	Finish	Item. No
30 x 72 x 2.0 mm	Brass Sanded	# 15.11.350
30 x 72 x 2.0 mm	Nickel Satin	# 15.11.355
30 x 72 x 2.0 mm	SS Polished	# 15.11.390
30 x 72 x 2.0 mm	SS Brushed	# 15.11.391
30 x 80 x 2.0 mm	Brass Sanded	# 15.11.310





Connecting screw in SS



CONNECTING SCREW IN SS F/UMBRELLA ARMS

Material: Stainless Steel A4
 Finish: Natural
 Bore: Ø 5 mm
 Application: For wood thickness 30 - 35 mm

1 set consists of:

2 x Female screws w/slot, CSK, M4 x 12 mm # 04.03.635

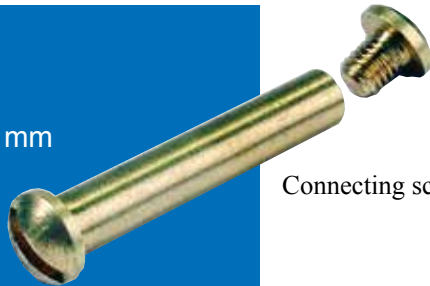
1 x Threaded bolt M4 x 25 mm # 04.03.640

Material: Brass
 Finish: Natural
 Bore: Ø 6 mm
 Application: For wood thickness 36 - 38 mm

1 set consists of:

1 x Dome head screw M4 x 6 mm
 1 x Female screw w/slot, Dome head, M4 x 36 mm

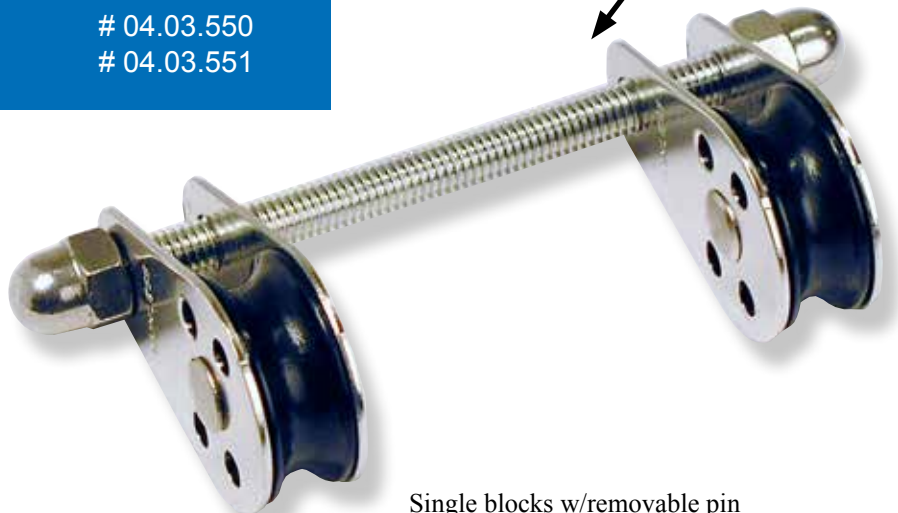
Item No.	male	# 04.03.550
	female	# 04.03.551



Connecting screw in Brass



Eye screw, w/woodthread
Stainless Steel



Single blocks w/removable pin
and 2 dome nuts w/threaded bolt



Single blocks w/removable pin w/bracket

Pad eye

UMBRELLA PULLEY SYSTEM IN STAINLESS STEEL (SS)

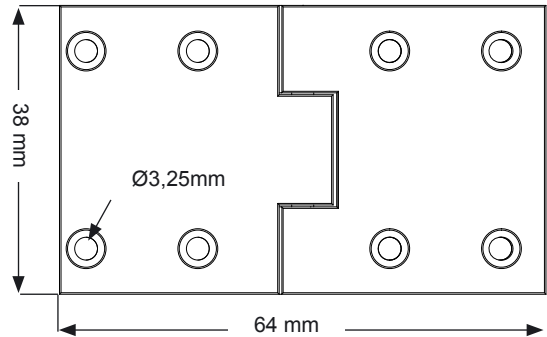
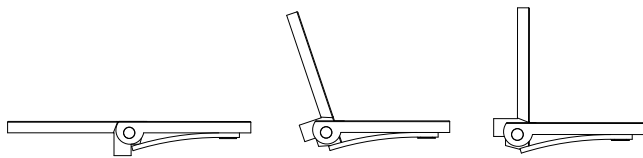
1 complete set for one umbrella:

2 Single blocks w/removable pin SS, A4	# 04.03.610
2 Single blocks w/removable pin, w/bracket SS, A4	# 04.03.615
2 Pad eyes SS, A2	# 04.03.620
1 Eye screw, w/woodthread SS, A2	# 04.03.625
2 Dome nuts M6 SS, A2	# 04.03.630
1 Threaded bolt M6 x xx mm SS, A2	# 12.08.815 ect.

**BUTLER'S TRAY HINGE SQUARE
W/STEEL SPRING**

Butler's Tray hinge,
Square, Sanded Brass

Material:	Brass		
Screw holes:	Ø 3,25		
Type:	Size	Finish	Item No.
Square	38 x 64 x 3 mm	Sanded	15.11.160

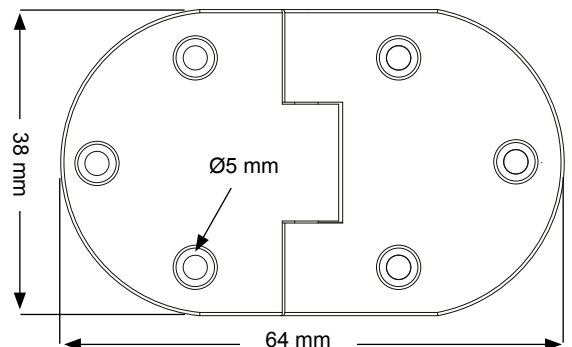
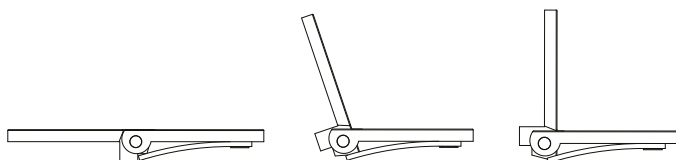


**BUTLER'S TRAY HINGE ROUND
W/STEEL SPRING**

Butler's Tray hinge,
Round, Polished Brass

Material:	Brass		
Screw holes:	Ø 5 mm		
Type:	Size	Finish	Item No.
Oval	38 x 64 x 3 mm	Sanded	15.11.165
Oval	38 x 64 x 3 mm	Polished	15.11.166

(No stock item. On request)

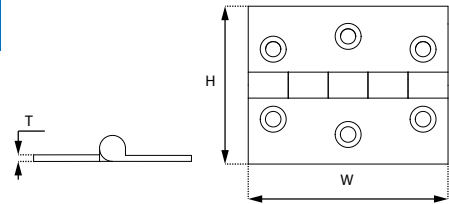


BRASS & SS-316 BUTT HINGES

Material: Brass or Stainless Steel (SS) AISI 316

Screw holes: Ø 3,5 mm

Size: W/H/T	Material	Finish	Item No.
40 x 35 x 1,4 mm	Brass	Sanded	15.13.060
50 x 40 x 1,4 mm	Brass	Sanded	15.13.090
50 x 40 x 1,7 mm	SS	Polished	15.13.100
60 x 50 x 1,8 mm	Brass	Polished	15.13.125



BRASS & SS-316 FLAP HINGES

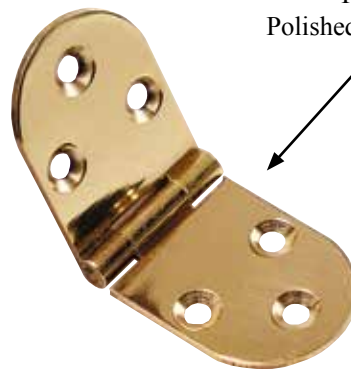
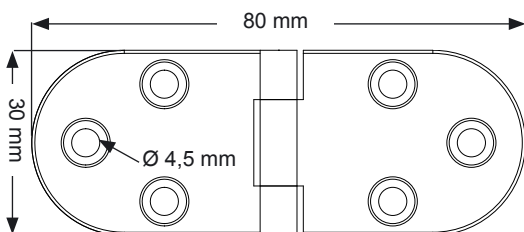
Material: Brass or Stainless Steel (SS) AISI 316

Screw holes: Ø 4,5 mm

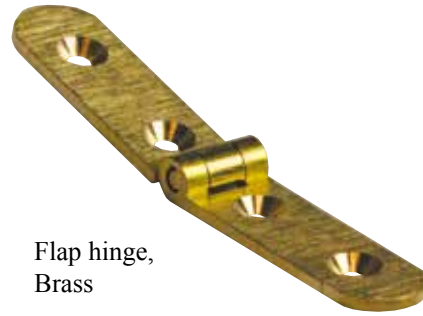
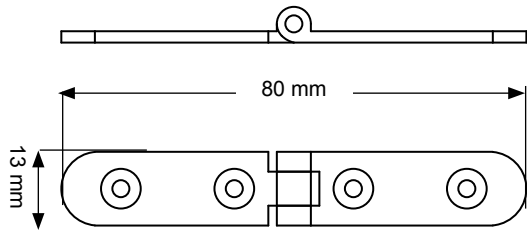
Size	Material	Finish	Item No.
30 x 80 x 1,75 mm	Brass	Polished	15.11.220
30 x 80 x 1,75 mm	Brass	Sanded	15.11.230



Flap hinge,
Polished Brass & Sanded



HINGE, SWING SEAT SPRING & HEAVY DUTY CUSHION BOX HINGES SS-304



Flap hinge,
Brass

FLAP HINGE

Material:	Brass		
Screw holes:	Ø 3 mm		
Size	Material	Finish	Item No.
13 x 80 x 1,75 mm	Brass	Sanded	15.11.215

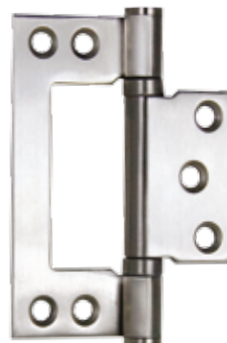
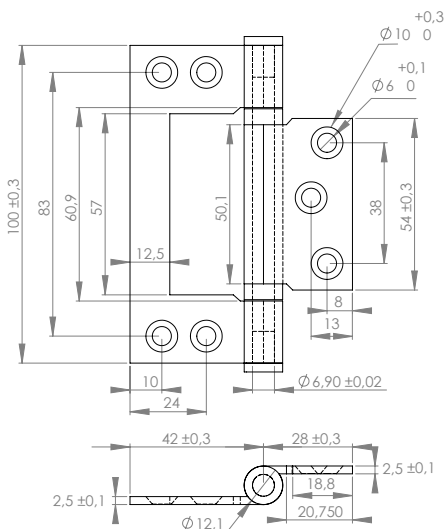


Swing seat made by Alexander Rose



SWING SEAT SPRING

Material:	Steel, Bright Zinc Plated
Size:	Ø 8 x 110 mm
Item No.	60.20.005



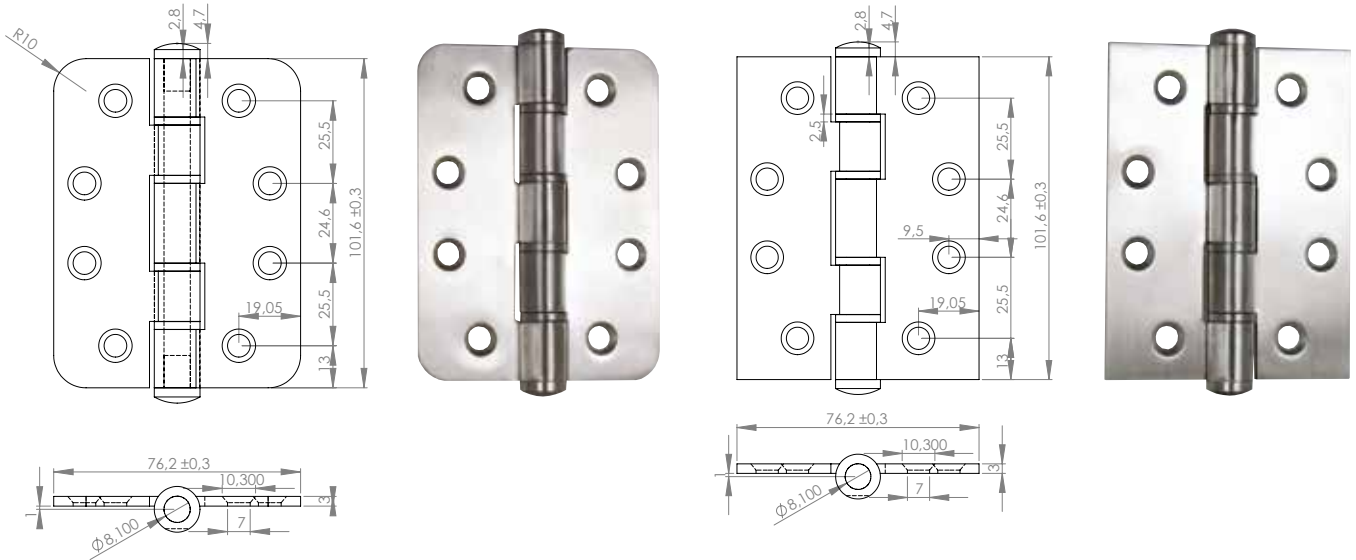
BUTT HINGE "FLUSH"

Material:	SS - 304
Size:	100 X 70 X 2,5 mm
Incl. CSK SS-304 screws,	Ø5 x 30 mm
Item No.	15.20.100

HEAVY DUTY CUSHION BOX HINGES SS-304

- high quality furniture fittings

SISO DENMARK

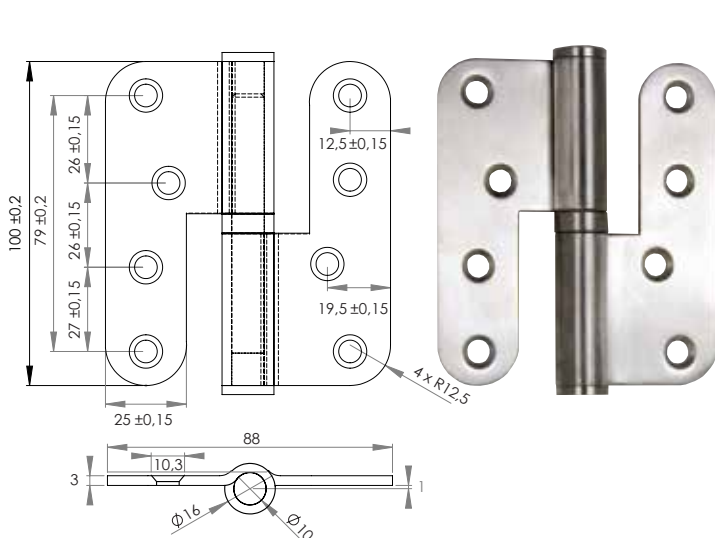


BUTT HINGE "ROUND"

Material: SS - 304
 Size: 102 X 76 X 3 mm
 Incl. CSK SS-304 screws,
 Ø5 x 30 mm
 Item No. 15.20.116

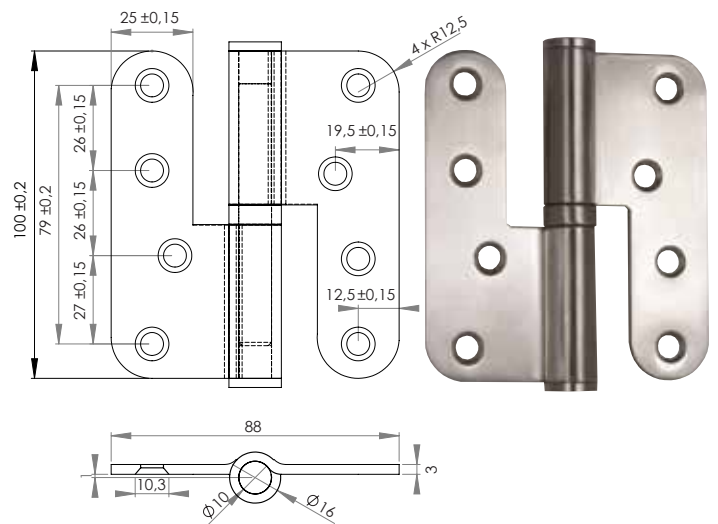
BUTT HINGE "SQUARE"

Material: SS - 304
 Size: 102 X 76 X 3 mm
 Incl. CSK SS-304 screws,
 Ø5 x 30 mm
 Item No. 15.20.115



BUTT HINGE "LIFT OFF" LEFT

Material: SS - 304
 Size: 100 X 88 X 3 mm
 Incl. CSK SS-304 screws,
 Ø5 x 30 mm
 Item No. 15.20.105



BUTT HINGE "LIFT OFF" RIGHT

Material: SS - 304
 Size: 100 X 88 X 3 mm
 Incl. CSK SS-304 screws,
 Ø5 x 30 mm
 Item No. 15.20.106

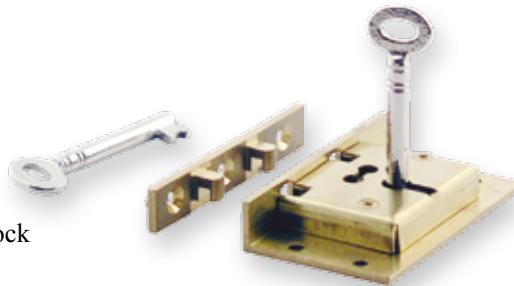
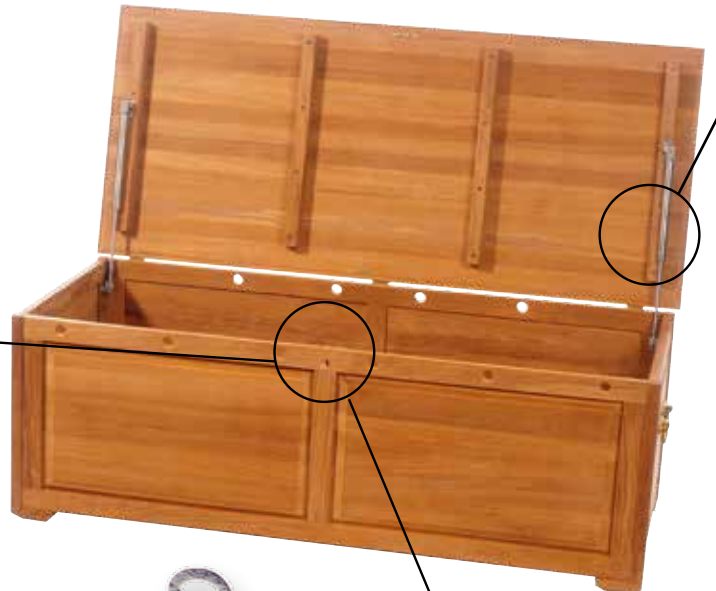
CAM LOCK 1930 F/CUSHION BOX

Material:	Cap & front of lock body:	Stainless Steel
	Rest of the body:	Zamak
	Hex nut:	Zamak
	Cam and Rosette:	Steel
	Keys:	Brass & plastic
Size:	Cylinder:	Ø 19 x 30 mm
	Hooked Cam:	50 mm from centre to edge
Specification:	90 degree turning	
	2 SISO car keys with	
	key alike code #701 (key to differ on request)	
Item No.:	#14.04.503	



Cam lock

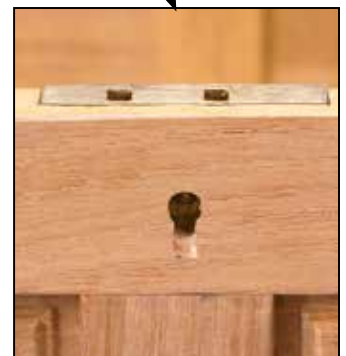
Close up of Cam lock



Mortise lock

MORTISE LOCK #245 W/2 HOOKS F/CUSHION BOX

Material:	Brass	
Size:	Lock case:	64 x 38 mm
	Square front plate:	64 x 11 mm
	Keys:	Steel, nickel plated
Specification:	22 mm backset	
	2 metal keys with key alike bit	
Item No.:	14.06.020	



Close up of Mortise lock

SPRING F/CUSHION BOX

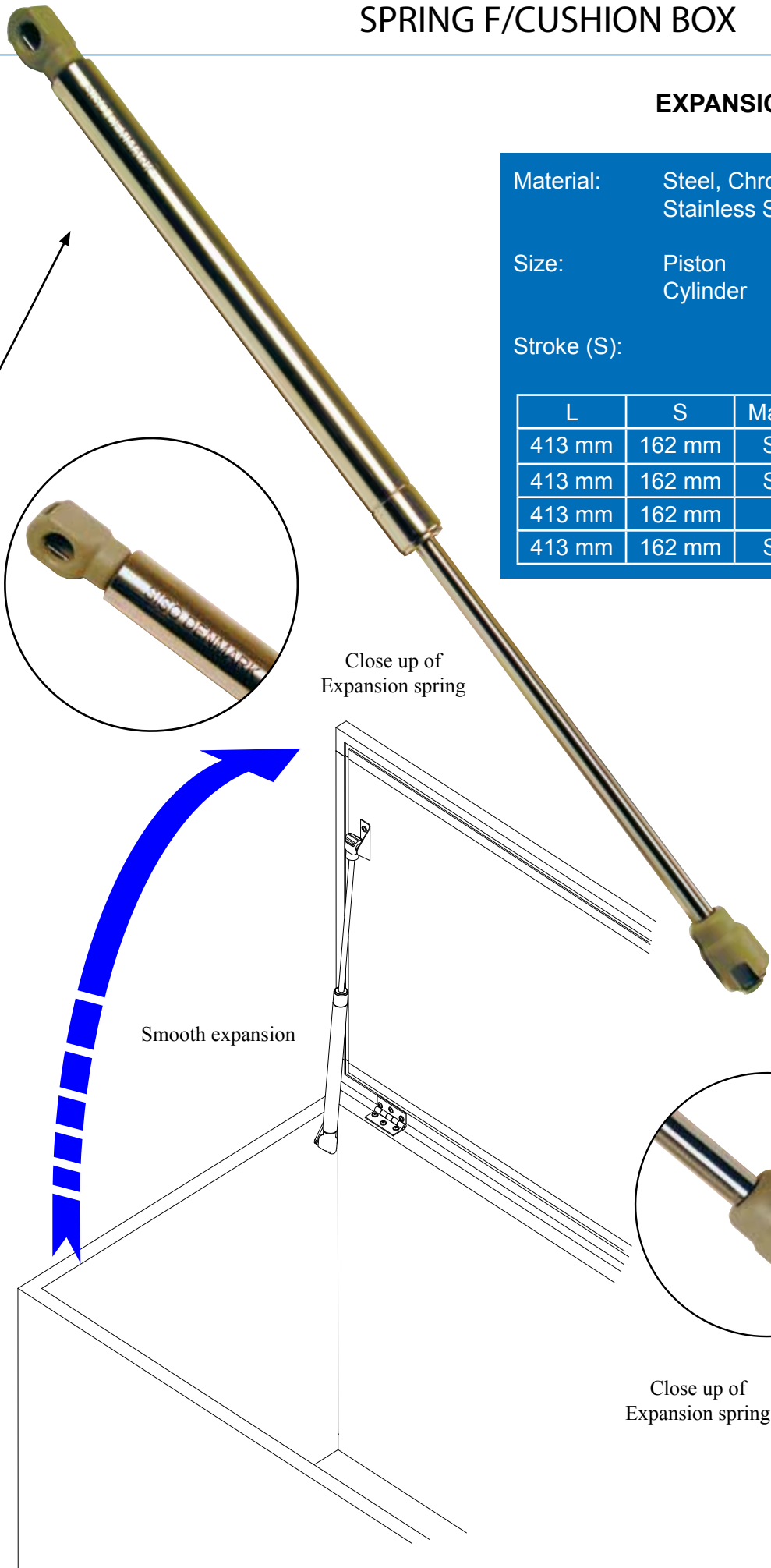
- high quality furniture fittings



EXPANSION SPRING

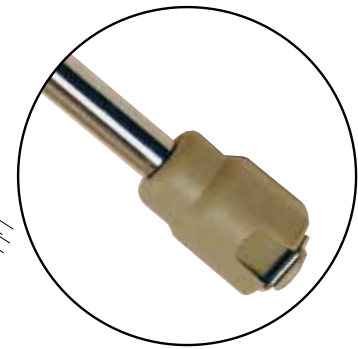
Material:	Steel, Chrome Plated (CPL) Stainless Steel 316 (SS)			
Size:	Piston	Ø 8 mm		
	Cylinder	Ø 18 mm		
Stroke (S):	162 mm			

L	S	Material	Weight	Item No.
413 mm	162 mm	Steel	14 kg	# 15.11.405
413 mm	162 mm	Steel	16 kg	# 15.11.410
413 mm	162 mm	SS	16 kg	# 15.11.412
413 mm	162 mm	Steel	18 kg	# 15.11.415

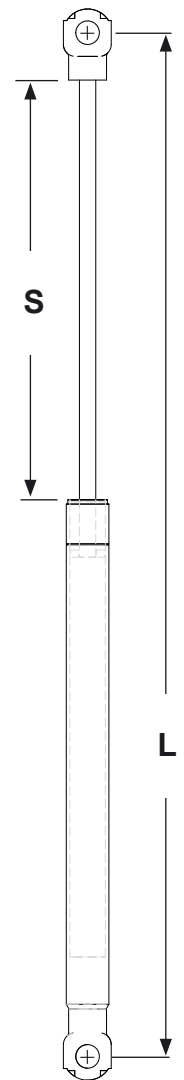


Close up of Expansion spring

Smooth expansion



Close up of Expansion spring



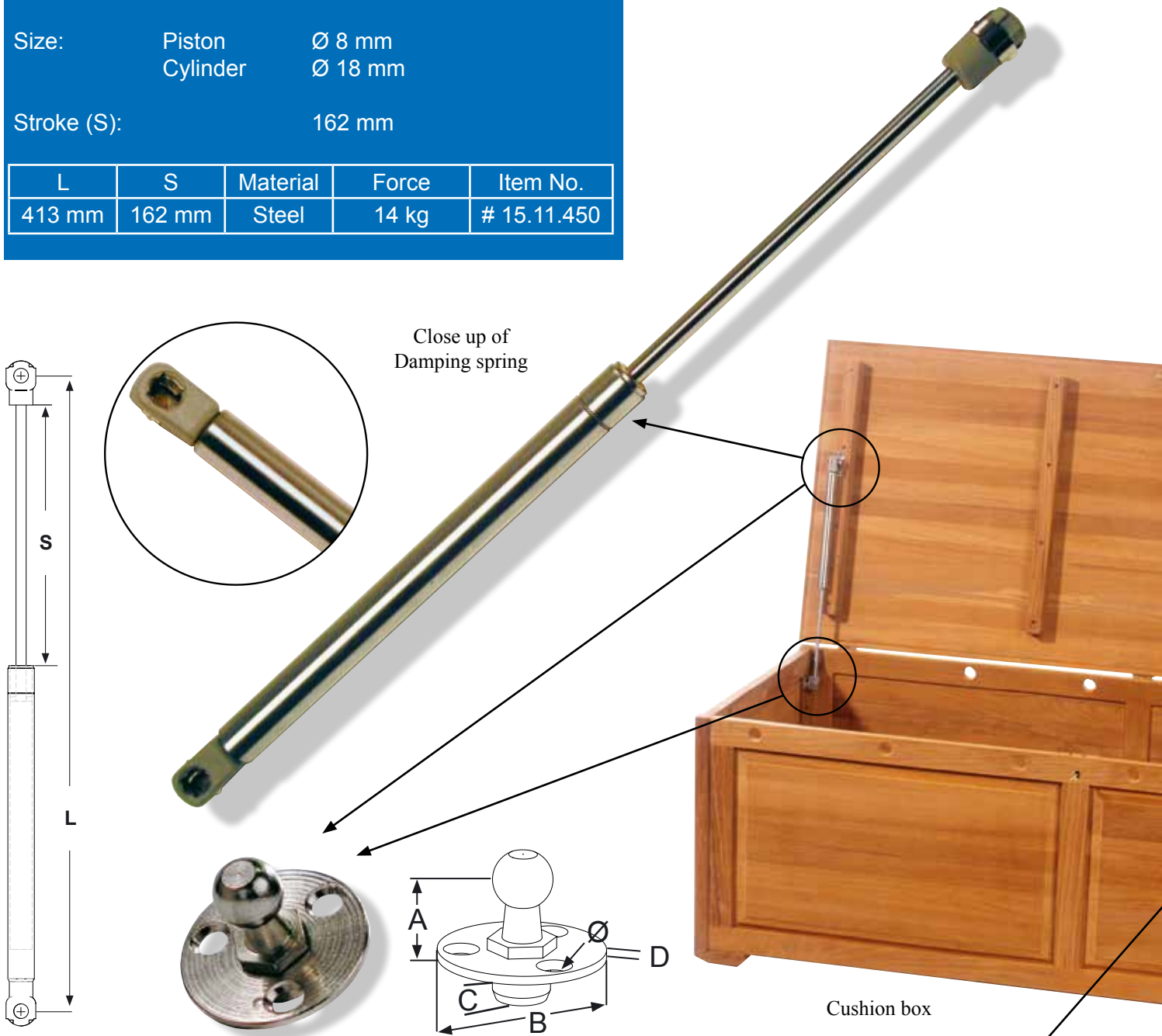
DAMPING SPRING

Material: Steel, Chrome Plated (CPL)

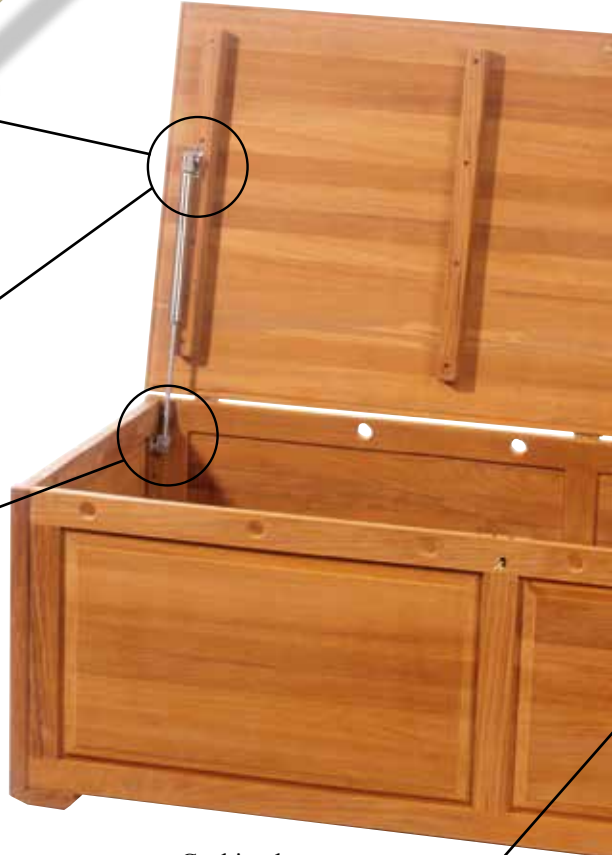
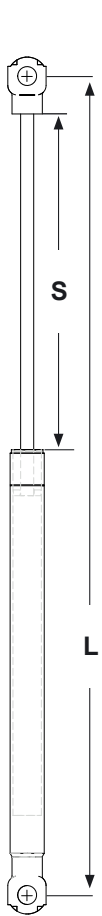
Size: Piston \varnothing 8 mm
 Cylinder \varnothing 18 mm

Stroke (S): 162 mm

L	S	Material	Force	Item No.
413 mm	162 mm	Steel	14 kg	# 15.11.450



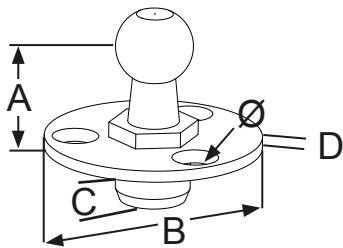
Close up of Damping spring



Cushion box



Round mounting bracket



Measurement ill.

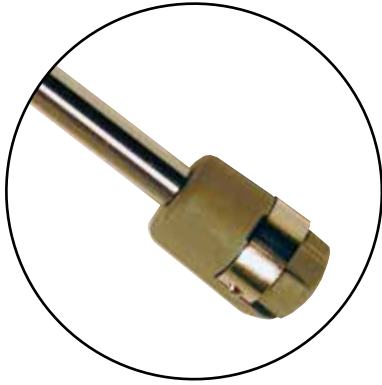
ROUND MOUNTING BRACKET

Material: Steel, Bright Zinc Plated (BZP)
 See illustration for understanding of measurement scheme

A	B	C	D	\varnothing	Finish	Item No.
14 mm	28 mm	7 x \varnothing 9,7 mm	1,5 mm	4,5 mm	BZP	#15.11.455

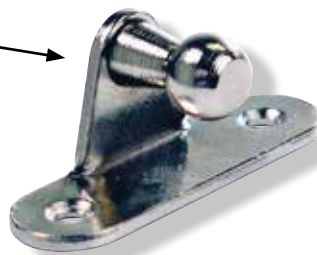
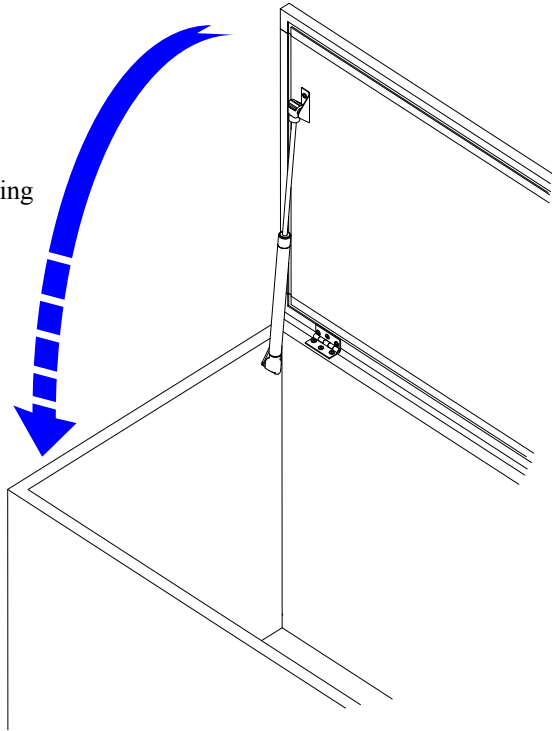


SS mounting bracket L Type

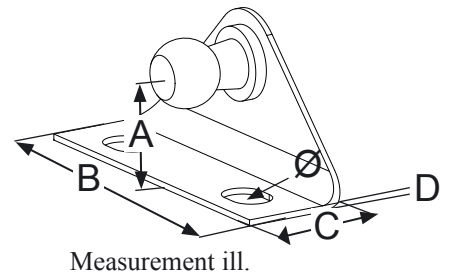


Close up of Damping spring

Smooth closing



L-mounting bracket



L-MOUNTING BRACKETS

Material: Steel, Bright Zinc Plated (BZP)
See illustration for understanding of measurement scheme

A	B	C	D	Ø	Finish	Item No.
14,5 mm	46 mm	14 mm	2 mm	Ø 4 mm	BZP	# 15.11.456
16,5 mm	46 mm	14 mm	3 mm	Ø 4,5 mm	BZP	# 15.11.457

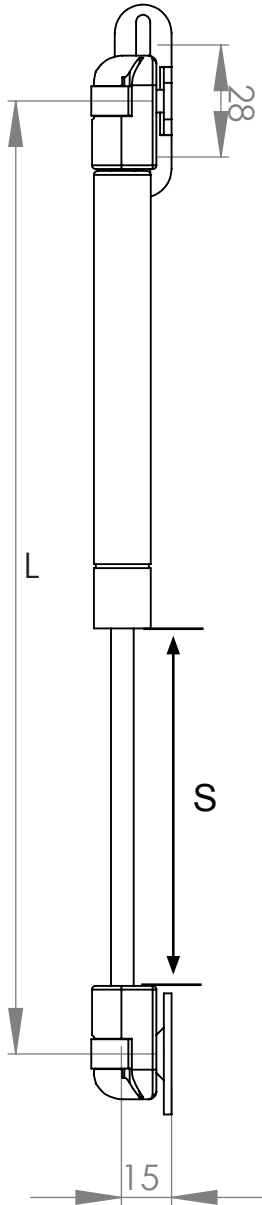
STAINLESS STEEL BRACKETS

Material: Stainless Steel, (SS) AISI 316
See illustration for understanding of measurement scheme

A	B	C	D	Ø	Finish	Item No.	Type
18 mm	56 mm	18 mm	2 mm	9 x 6,8 mm	SS	# 15.11.460	L
14 mm	56 mm	40 mm	2 mm	9 x 6,8 mm	SS	# 15.11.461	Flat



SS mounting bracket
Flat



PNEUMATIC EXPANSION SPRING

Material: Steel , Silver /Nickel plated

Size: Piston \varnothing 6 mm
Cylinder \varnothing 15 mm

Stroke (S): 92 mm

L	S	Material	Force	Item No.
247 mm	92 mm	Steel	60N	# 15.11.439
247 mm	92 mm	Steel	80N	# 15.11.440
247 mm	92 mm	Steel	100N	# 15.11.441
247 mm	92 mm	Steel	120N	# 15.11.442

SGS test: 60.000 cycles

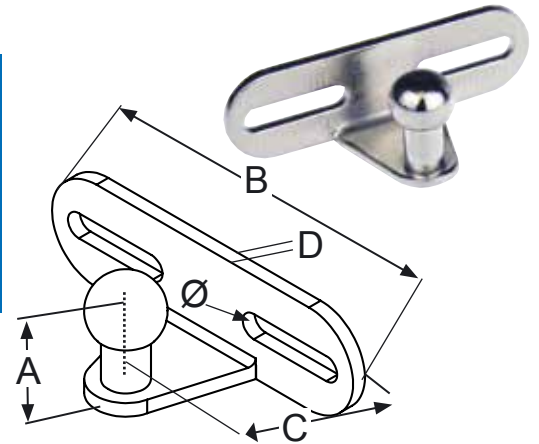
May be bought complete with 3 mounting brackets or without brackets

L-MOUNTING BRACKET

Material: Steel, Nickel Plated (NPL)

A	B	C	D	Ø	Item No.
16,5 mm	51 mm	15 mm	2 mm	Ø 4 x 17 mm	# 15.11.458

Incl. 2 Nickel plated wood screws,PZD, Ø 3,5 x 16 mm

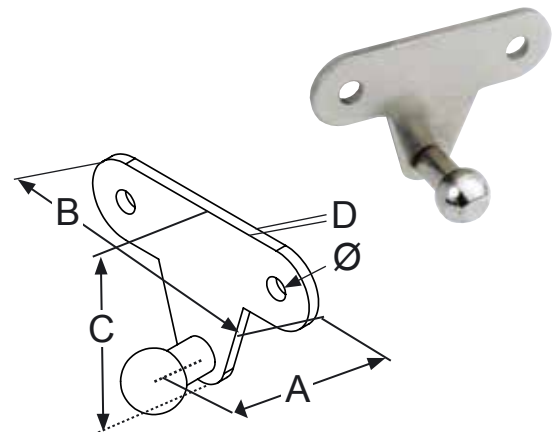


FLAT T-SHAPED MOUNTING BRACKET

Material: Steel, Nickel Plated (NPL)

A	B	C	D	Ø	Item No.
14 mm	46 mm	31,5 mm	2 mm	4,5 mm	# 15.11.462

Incl. 2 Nickel plated wood screws,PZD, Ø 3,5 x 16 mm

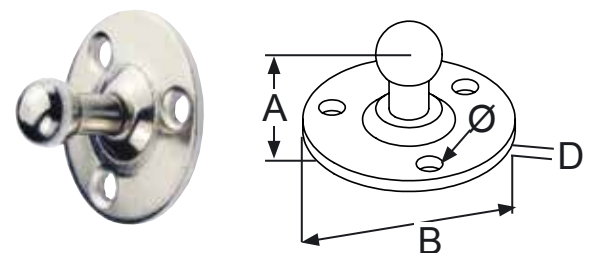


ROUND MOUNTING BRACKET

Material: Steel, Nickel Plated (NPL)

A	B	D	Ø	Item No.
16 mm	31 mm	2 mm	4 mm	#15.11.454

Incl. 3 Nickel plated wood screws,PZD, Ø 3,5 x 16 mm



KNOCK DOWN SYSTEM S

Is an improvement of the conventional eccentric cam fittings!

Instead of an eccentric cam house in zamak we have developed a steel barrel with a pointed grub screw, which is being wedged below the neck of the dowel ensuring a permanent grip

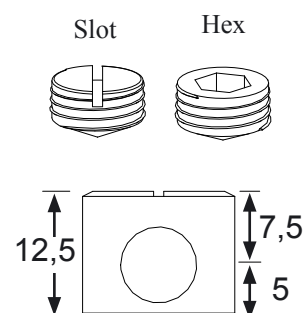
Replaces all 15mm diameter eccentric cam fittings without change of drilling, as the barrel requires the normal 34mm bore distance from the edge. Can also be supplied for 24mm and 44mm distance.

All parts are made of high quality steel or stainless steel for out door use. The material warrants unsurpassed anchoring properties and eliminates the risk of breakage of the fitting due to the constant high tension.

KD-SYSTEM S is available for 16 & 19 mm panels.

»SYSTEM S« 1512 – FOR 16 MM PANELS

Material:	Steel or Stainless Steel			
Size:	Cylinder: \varnothing 15 x 12,5 mm Grub screw: M10 x 6 mm			
Finish:	Bronze Plated (BRZ), Bright Zinc Plated (BZP), Yellow Zinc Plated (YZP), or Stainless Steel (SS) Natural			
	BRZ	BZP	YZP	SS Natural
Cylinder	11.03.500	11.03.505	11.03.504	11.03.705
Grub screw w/slot	11.03.490	11.03.494	11.03.493	on request
Grub screw w/hex	11.03.491	11.03.496	on request	11.03.715



»SYSTEM S« 1514 – FOR 19 MM PANELS

Material:	Steel or Stainless Steel			
Size:	Cylinder: \varnothing 15 x 14 mm Grub screw: M10 x 7,5 mm			
Finish:	Bronze Plated (BRZ), Bright Zinc Plated (BZP), Yellow Zinc Plated (YZP), or Stainless Steel (SS) Natural			
	BRZ	BZP	YZP	SS Natural
Cylinder	11.03.516	11.03.582	11.03.580	11.03.700
Grub screw w/slot	11.03.521	11.03.592	11.03.590	on request
Grub screw w/hex	11.03.520	11.03.593	on request	11.03.710



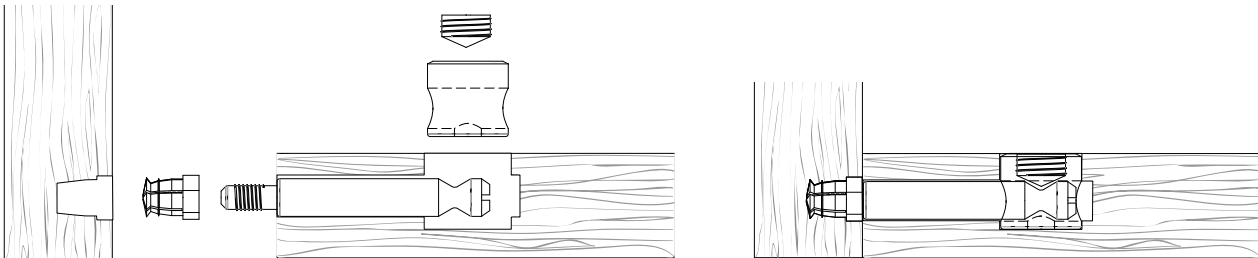
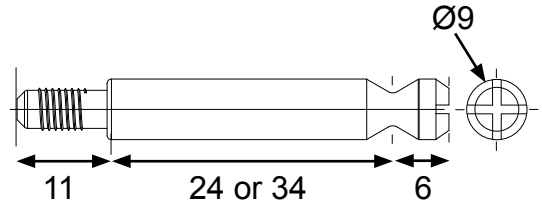
STEEL DOWELS FOR »SYSTEM S«

Material: Steel or Stainless Steel

Finish: Steel, Bright Zinc Plated (BZP) & Stainless Steel (SS), Natural

Type: Metric thread with cross cut

Size	Material	Finish	Item No
M6 x 24 mm	Steel	BZP	# 11.03.524
M6 x 34 mm	Steel	BZP	# 11.03.525
M6 x 34 mm	SS	Natural	# 11.03.730



KNOCK IN BUSHING »EXPANSION«

Material: Brass, Natural

Type: Knock-in. Without plastic ball or with ball for extra expansion

A	B	C	Type:	Item No.
M6	11,5 mm	Ø 8 mm	No ball	12.10.340
M6	11,5 mm	Ø 8 mm	With ball	12.10.345

Pulling power: 100 Kg.

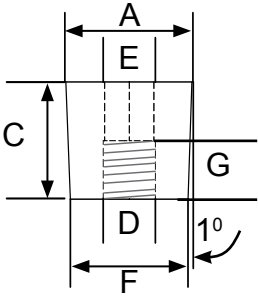


ALTERNATIVE BUSHINGS FOR »SYSTEM S«

SE PAGE 36 TO 39

BRASS COMBIFIX HEADS

BRASS COMBIFIX HEAD #1106 M6 WITHOUT COLLAR

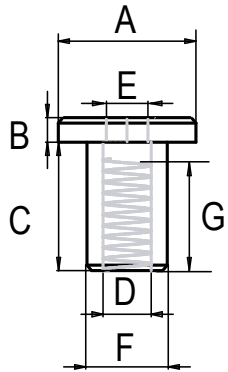


Material: Brass
 Finish: Brass, Natural
 Type: No collar but with 5 mm open hex hole



A	B	C	D	E	F	G	Item No.
Ø 13 mm	0 mm	10 mm	M6	5 mm	Ø 12 mm	5 mm	# 12.09.690

BRASS COMBIFIX HEAD #1007 M6 W/OPEN HEX HOLE

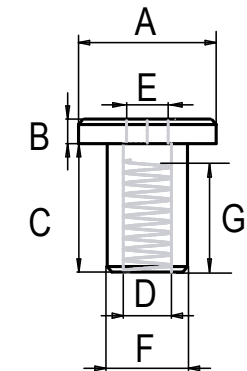


Material: Brass
 Finish: Brass, Natural
 Type: Flat head with 5 mm open hex hole



A	B	C	D	E	F	G	Item No.
Ø 12 mm	2 mm	10 mm	M6	5 mm	Ø 8 mm	7 mm	# 12.09.090

BRASS COMBIFIX HEAD #1011 M6 W/OPEN HEX HOLE

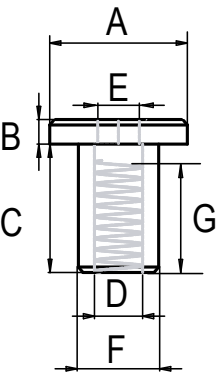


Material: Brass
 Finish: Brass, Natural
 Type: Flat head with 5 mm open hex hole



A	B	C	D	E	F	G	Item No.
Ø 15 mm	2,25 mm	9 mm	M6	5 mm	Ø 9 mm	7 mm	# 12.09.130

BRASS COMBIFIX HEAD #1011 M6 W/CLOSED HEX HOLE

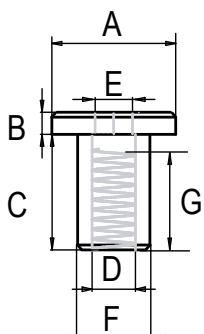


Material: Brass
 Finish: Brass Plated (BPL) or Nickel Plated (NPL)
 Type: Flat head with 5 mm closed hex hole



A	B	C	D	E	F	G	NPL	BPL
Ø 15 mm	2 mm	10 mm	M6	5 mm	Ø 9 mm	7 mm	# 12.09.132	# 12.09.131

BRASS COMBIFIX HEAD #1012 M6 W/OPEN HEX HOLE



Material: Brass or Stainless Steel (SS) AISI 304
 Finish: Brass, Natural and SS, Natural
 Type: Flat head with 4 or 5 mm open hex hole



A	B	C	D	E	F	G	SS	Brass
Ø 15 mm	2,25 mm	11,75 mm	M6	5 mm	Ø 9 mm	8,5 mm	on request	# 12.09.170
Ø 15 mm	2,25 mm	11,75 mm	M6	4 mm	Ø 9 mm	7 mm	# 12.09.175	on request

BRASS COMBIFIX HEADS

- high quality furniture fittings

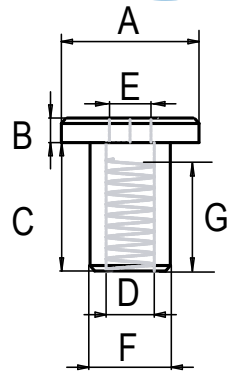


BRASS COMBIFIX HEAD #1012 M6 W/CLOSED HEX HOLE

Material: Brass
 Finish: Brass Plated (BPL) or Nickel Plated (NPL)
 Type: Flat head with 5 mm closed hex hole



A	B	C	D	E	F	G	NPL	BPL
Ø 15 mm	2 mm	12 mm	M6	5 mm	Ø 9 mm	7 mm	# 12.09.174	# 12.09.173

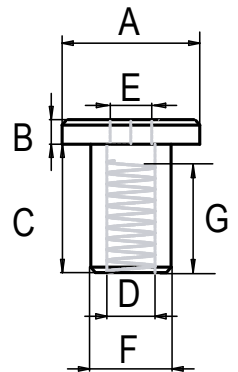


BRASS COMBIFIX HEAD #1013 M6 W/OPEN HEX HOLE

Material: Brass
 Finish: Brass, Natural
 Type: Flat head with 5 mm open hex hole



A	B	C	D	E	F	G	SS	Brass
Ø 15 mm	2,25 mm	18 mm	M6	5 mm	Ø 9 mm	12 mm	# 12.09.208	# 12.09.210

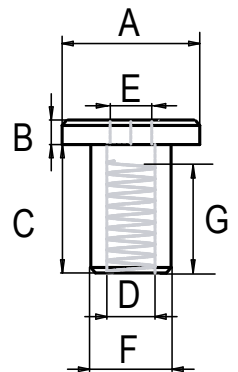


BRASS COMBIFIX HEAD #1013 M6 W/CLOSED HEX HOLE

Material: Brass
 Finish: Brass Plated (BPL) or Nickel Plated (NPL)
 Type: Flat head with 5 mm closed hex hole



A	B	C	D	E	F	G	NPL	BPL
Ø 15 mm	2 mm	18 mm	M6	5 mm	Ø 9 mm	13 mm	# 12.09.213	# 12.09.212

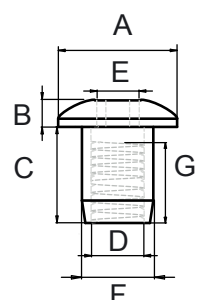


BRASS COMBIFIX HEAD #1015 M6 W/OPEN HEX HOLE

Material: Brass or Stainless Steel (SS) AISI 304
 Finish: Brass, Natural and SS, Natural
 Type: Dome head with 5 mm open hex hole

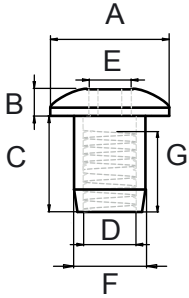


A	B	C	D	E	F	G	SS	Brass
Ø 13 mm	2,50 mm	10,50 mm	M6	5 mm	Ø 8 mm	9 mm	# 12.09.265	# 12.09.250



BRASS COMBIFIX HEADS

BRASS COMBIFIX HEAD #1015 M6 W/CLOSED HEX HOLE

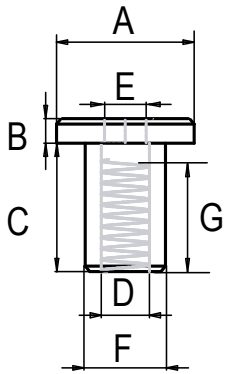


Material: Brass
 Finish: Brass Plated (BPL) or Nickel Plated (NPL)
 Type: Dome head with 5 mm closed hex hole



A	B	C	D	E	F	G	NPL	BPL
Ø 13 mm	3 mm	10 mm	M6	5 mm	Ø 8 mm	6 mm	# 12.09.252	# 12.09.251

BRASS COMBIFIX HEAD #1031 M6 W/OPEN HEX HOLE

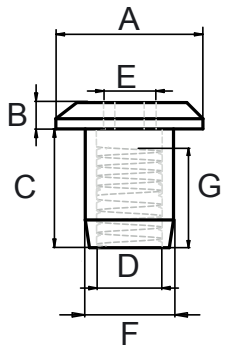


Material: Brass
 Finish: Brass, Natural
 Type: Flat head with 5 mm open hex hole



A	B	C	D	E	F	G	Item No.
Ø 19 mm	2 mm	12 mm	M6	5 mm	Ø 9 mm	10 mm	# 12.09.410

BRASS COMBIFIX HEAD #1042 M6 W/OPEN HEX HOLE

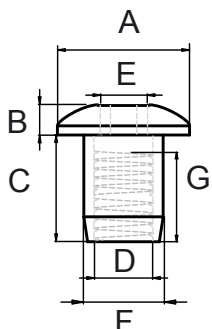


Material: Brass
 Finish: Brass, Natural
 Type: Flat head with 5 mm open hex hole



A	B	C	D	E	F	G	Item No.
Ø 19 mm	2 mm	8 mm	M6	5 mm	Ø 9 mm	6,5 mm	# 12.09.490

BRASS COMBIFIX HEAD #1046 M6 W/OPEN HEX HOLE



Material: Brass
 Finish: Brass, Natural
 Type: Dome head with 5 mm open hex hole



A	B	C	D	E	F	G	Item No.
Ø 19 mm	3 mm	10 mm	M6	5 mm	Ø 9 mm	7,5 mm	# 12.09.530

BRASS & STEEL COMBIFIX HEADS

- high quality furniture fittings

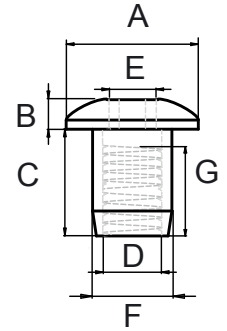


BRASS COMBIFIX HEAD #1060 M8 W/OPEN HEX HOLE

Material: Brass
 Finish: Brass, Natural
 Type: Dome head with 5 mm open hex hole



A	B	C	D	E	F	G	Item No.
Ø 17 mm	2,50 mm	11,5 mm	M8	5 mm	Ø 10 mm	8 mm	# 12.09.570

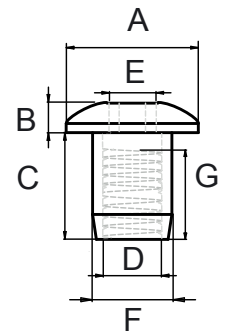


BRASS COMBIFIX HEAD #1062 M8 W/OPEN HEX HOLE

Material: Brass
 Finish: Brass, Natural
 Type: Dome head with 5 mm open hex hole

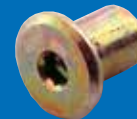


A	B	C	D	E	F	G	Item No.
Ø 30 mm	4 mm	7 mm	M8	5 mm	Ø 12 mm	6 mm	# 12.09.610

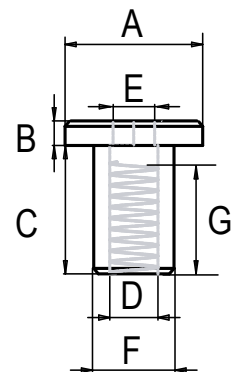


STEEL COMBIFIX HEAD # F-563 M6 W/CLOSED HEX HOLE

Material: Steel
 Finish: Brass Plated (BPL) or Yellow Zinc Plated 8 Micron (YZP)
 Type: Flat head with 4 or 5 mm closed hex hole



A	B	C	D	E	F	G	BPL	YZP
Ø 15 mm	2 mm	12 mm	M6	4 mm	Ø 9 mm	7 mm	# 12.09.750	# 12.09.696
Ø 15 mm	2 mm	12 mm	M6	5 mm	Ø 9 mm	7 mm	# 12.09.700	on request
Ø 15 mm	2 mm	18 mm	M6	4 mm	Ø 9 mm	13 mm	on request	# 12.09.800
Ø 15 mm	2 mm	18 mm	M6	5 mm	Ø 9 mm	13 mm	# 12.09.802	on request

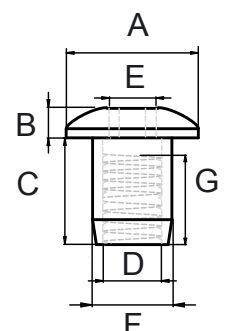


STEEL COMBIFIX HEAD # D-564 M6 W/CLOSED HEX HOLE

Material: Steel
 Finish: Brass Plated (BPL) or Nickel Plated (NPL)
 Type: Dome head with 5 mm closed hex hole

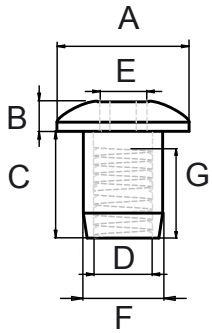


A	B	C	D	E	F	G	NPL	BPL
Ø 15 mm	2,5 mm	12 mm	M6	5 mm	Ø 9 mm	7 mm	# 12.09.829	on request
Ø 15 mm	2,5 mm	15 mm	M6	5 mm	Ø 9 mm	10 mm	on request	# 12.09.864



STEEL COMBIFIX HEADS

STEEL COMBIFIX HEAD # D-597 M6 W/CLOSED HEX HOLE



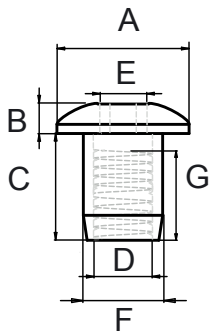
Material: Steel
Finish: Brass Plated (BPL) or Black oxidized (BLK)
 (other finishes on request)



Type: Dome head with 5 mm closed hex hole

A	B	C	D	E	F	G	BPL	BLK
Ø 20 mm	3 mm	18 mm	M6	5 mm	Ø 9 mm	12 mm	# 12.09.937	# 12.09.935

STEEL COMBIFIX HEAD # D-637 M6 W/CLOSED HEX HOLE



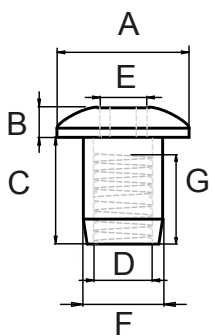
Material: Steel
Finish: Yellow Zinc Plated 2-3 micron (YZP)
 (other finishes on request)



Type: Dome head with 5 mm Closed hex hole

A	B	C	D	E	F	G	YZP
Ø 15 mm	4 mm	8 mm	M6	5 mm	Ø 8 mm	5 mm	# 12.09.815

STEEL COMBIFIX HEAD # D-595 M8 W/CLOSED HEX HOLE



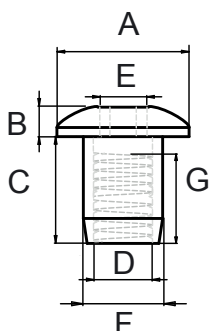
Material: Steel
Finish: Brass Plated (BPL), Black oxidized (BLK)
 Bronze Plated (BRZ) or Nickel Plated (NPL)



Type: Dome head with 5 mm closed hex hole

A	B	C	D	E	F	G	BPL	BLK
Ø 20 mm	3 mm	16 mm	M8	5 mm	Ø 10 mm	12 mm	# 12.09.930	# 12.09.932
							NPL	BRZ
Ø 20 mm	3 mm	16 mm	M8	5 mm	Ø 10 mm	12 mm	# 12.09.933	# 12.09.934

STEEL COMBIFIX HEAD # D-602 M10 W/CLOSED HEX HOLE



Material: Steel
Finish: Nickel Plated (NPL)
 (other finishes on request)



Type: Dome head with 5 mm closed hex hole

A	B	C	D	E	F	G	NPL
Ø 20 mm	4 mm	13 mm	M10	5 mm	Ø 13 mm	9 mm	# 12.09.950

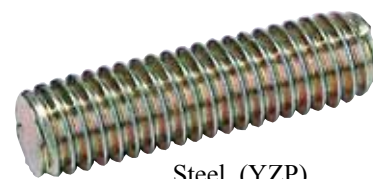
THREADED BOLTS

Material: Steel, Yellow Zinc Plated
(other finishes on request)
Stainless Steel, Natural
Brass, Natural

Thread: M6 or M8

Lengths: From 18 up to 1000 mm

Item No. 12.08.123 etc.



Steel, (YZP)

FIFTEEN SCREWS

Material: Steel, Yellow Zinc Plated
(other finishes on request)
Stainless Steel AISI 316
Brass, Natural

Head size: Ø 15 x 2,5 mm

Hex size: 4 mm

Thread: M6 (M8 on request)

Lengths: 25/30/35/40/45/50/60/70/80/90/100 & 120 mm

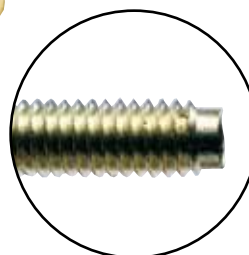
Type: With 3mm point or conical (see illustration)

Item No. 12.00.800 etc.



Stainless Steel
AISI 316

Steel, (YZP)



Conical
Brass, Natural



Point
Steel

FIFTEEN WOOD SCREWS

Material: Steel, Yellow Zinc Plated
(other finishes on request)
Stainless Steel AISI 316

Head size: Ø 15 x 2,5 mm

Hex size: 4 mm

Thread: Ø 6,3 mm

Lengths: 40/50/60 and 70 mm (other sizes on request)

Type: With point (see illustration)

Item No. # 12.01.340 etc.



Stainless Steel
AISI 316

Steel, (YZP)

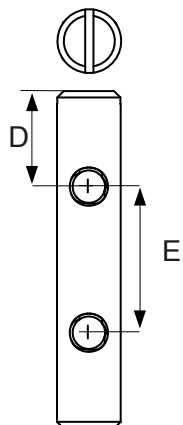
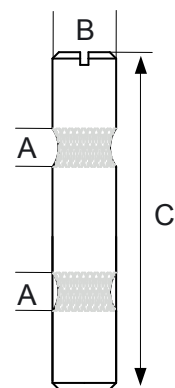
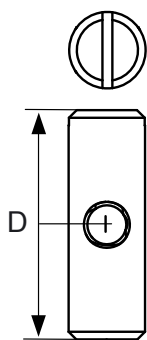
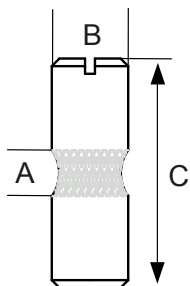
Point

CROSS DOWELS

CROSS DOWELS



Bright Zinc Plated



Material: Steel, Brass or Stainless Steel

Stainless Steel

Type: With slot

Finish: Steel, Yellow Zinc Plated (YZP)
Bright Zinc Plated (BZP), Brass, Natural
Stainless Steel, (SS), Natural

Yellow Zinc Plated

Brass

D* Distance from centre of hole to edge.

A	B	C	D*	Material	Finish	Item No.
M6	Ø 10 mm	13 mm	8/5 mm	Steel	BZP/YZP	# 12.07.006/007
M6	Ø 10 mm	14 mm	8/6 mm	Steel	BZP/YZP	# 12.07.030/31
M6	Ø 10 mm	14 mm	8/6 mm	Brass	Natural	# 12.07.041
M6	Ø 10 mm	14 mm	8/6 mm	SS	Natural	# 12.07.043
M6	Ø 10 mm	16 mm	10/6 mm	Steel	YZP	# 12.07.044
M6	Ø 10 mm	18 mm	12/6 mm	Steel	YZP/BZP	# 12.07.327/328
M6	Ø 10 mm	30 mm	20/10 mm	Steel	BZP	# 12.07.350
M6	Ø 10 mm	20 mm	10/10 mm	Steel	BZP/YZP	# 12.07.070/071
M6	Ø 10 mm	25 mm	12,5/12,5 mm	Steel	BZP	# 12.07.110
M6	Ø 10 mm	30 mm	15/15 mm	Steel	BZP	# 12.07.150
M6	Ø 10 mm	40 mm	20/20 mm	Steel	BZP	# 12.07.230
M6	Ø 10 mm	45 mm	22,5/22,5 mm	Steel	BZP	# 12.07.270
M8	Ø 12 mm	20 mm	10/10 mm	Steel	YZP	# 12.07.287
M8	Ø 12 mm	25 mm	12,5/12,5 mm	Steel	BZP	# 12.07.288
M8	Ø 12 mm	30 mm	15/15 mm	Steel	YZP	# 12.07.289
M8	Ø 12 mm	50 mm	25/25 mm	Steel	BZP/YZP	# 12.07.291/92
M8	Ø 12 mm	60 mm	30/30 mm	Steel	BZP	# 12.07.325

CROSS DOWEL NO. 3250 W/2 HOLES

Material: Steel

Type: With slot

Finish: Steel, Bright Zinc Plated (BZP)

D* Distance from centre of hole to edge.

Bright Zinc Plated



A	B	C	D*	E	Material	Finish	Item No.
M6	Ø 10 mm	60 mm	14 mm	c.c. 32 mm	Steel	BZP	# 12.07.465
M6	Ø 10 mm	60 mm	10 mm	c.c. 40 mm	Steel	BZP	# 12.07.500
M6	Ø 10 mm	82 mm	9 mm	c.c. 64 mm	Steel	BZP	# 12.07.570

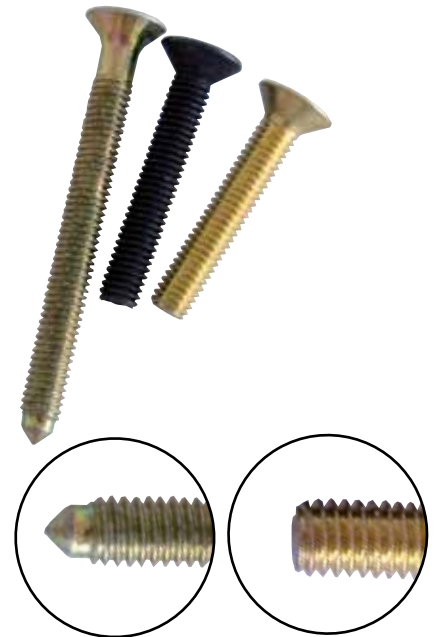
MUSHROOM SCREWS

Material:	Steel, Yellow Zinc or Black Oxidized Other materials & finishes on request
Head size:	Ø 15 mm
Hex size:	4 mm (5 mm on request)
Thread:	M6 (M8 on request)
Lengths:	12/16/20/23/30/32/38/45/50/60/63/90 mm (other lengths on request)
Type:	Blunt (Point on request)
Item No.	# 12.03.110 etc.



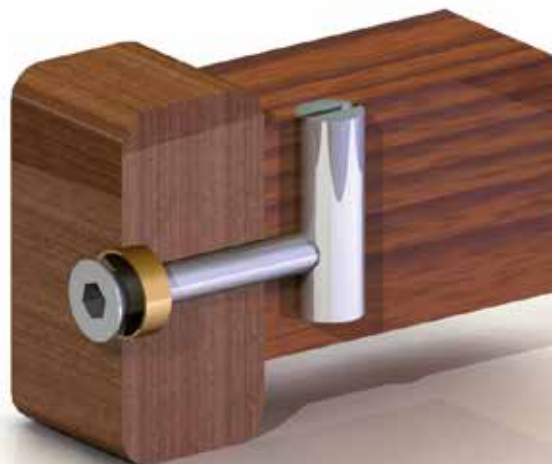
INSEX SCREWS

Material:	Steel, Yellow Zinc, Brass Plated or Black Oxidized Stainless Steel, (SS), Natural Other materials & finishes on request
Head size:	Ø 12 x 4 mm (counter sunk)
Hex size:	4 mm
Thread:	M6 (M8 and M10 on request)
Lengths:	32/35/38/44/50/51/57/60/63/76/90/100/120/126 mm (other lengths on request)
Type:	Pointed or blunt (see illustration)
Item No.	# 12.04.004 etc.



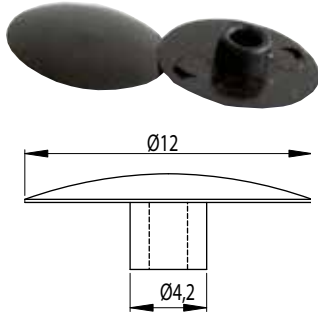
Point

Blunt



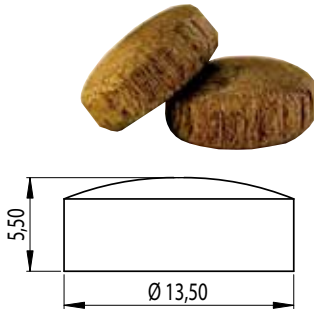
INSEX COVERS & INSEX COLLARS

INSEX COVER CAPS



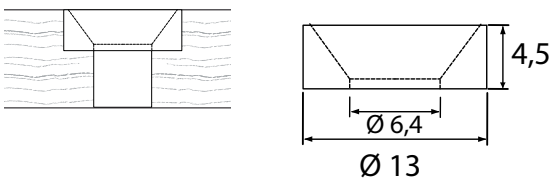
Material:	Plastic, black
Head size:	Ø 15mm, Dome
Pin:	Ø 4,2 mm for 4 mm hex hole
Item No.	12.05.005

INSEX WOOD PLUGS



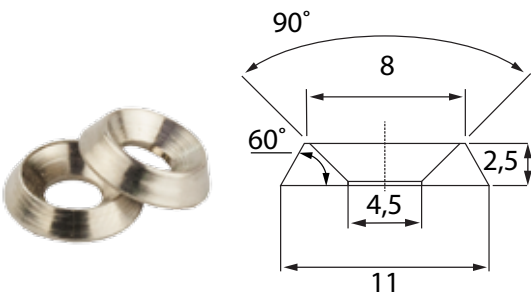
Material:	Teak wood (other wood types on request)
Size:	Ø 13,5 x 5,5 m
Item No.	12.05.020

INSEX COLLARS - BRASS



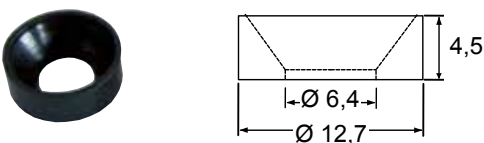
Material:	Brass
Size:	Ø 13 x 4,5 mm x M6
Item No.	Brass Natrual # 12.05.036 Brass Black Oxidized # 12.05.039 Brass Nickel Plated # 12.05.038

CUP WASHER - SS



Material:	Stainless Steel (SS)
Size:	Ø 11 x 8 x 4,5 mm
Item No.	# 12.13.390

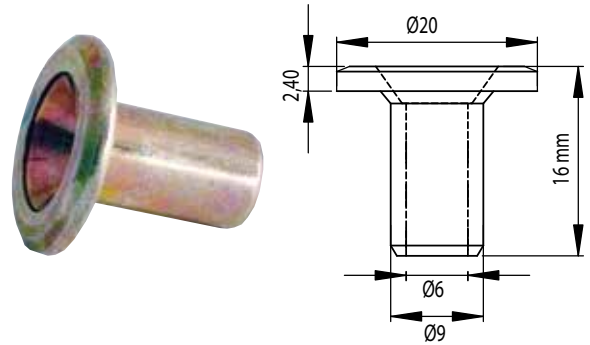
INSEX COLLARS - NYLON



Material:	Nylon, Black
Size:	Ø 12,7 x 4,5 mm X M6
Item No.	# 12.05.040

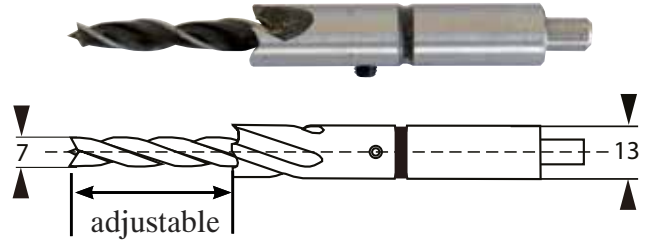
INSEX COLLARS - STEEL W/SHAFT

Material: Steel, Yellow Zinc
 Size: Ø 20 x 16 mm x M6
 Item No. # 12.05.070



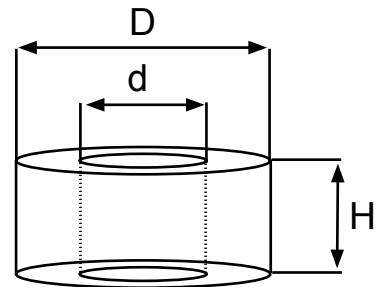
DRILL BIT F/INSEX SCREWS & COLLARS

Twin set boring bits for Ø7mm and Ø13mm in one operation
 Item No. # 12.18.010



DISTANCE SPACERS

Material: Polyethylene (PE), black or white.



Item - number	Color	D diameter	d diameter	H height
#12.13.555	Black	20 mm	5,3 mm	20 mm
#12.13.556	Black	20 mm	5,3 mm	22,5 mm
#12.13.536	Black	22 mm	6,0 mm	10 mm
#12.13.503	Black	20 mm	6,3 mm	3 mm
#12.13.508	Black	20 mm	6,3 mm	7,5 mm
#12.13.533	Black	20 mm	8,4 mm	10 mm
#12.13.538	Black	20 mm	8,4 mm	12,5 mm
#12.13.501	Black	20 mm	10,5 mm	3 mm
#12.13.507	Black	20 mm	10,5 mm	6 mm
#12.13.553	Black	20 mm	10,5 mm	20 mm
#12.13.670	White	30 mm	6,3 mm	10 mm
#12.13.554	Black	40 mm	10,5 mm	20 mm

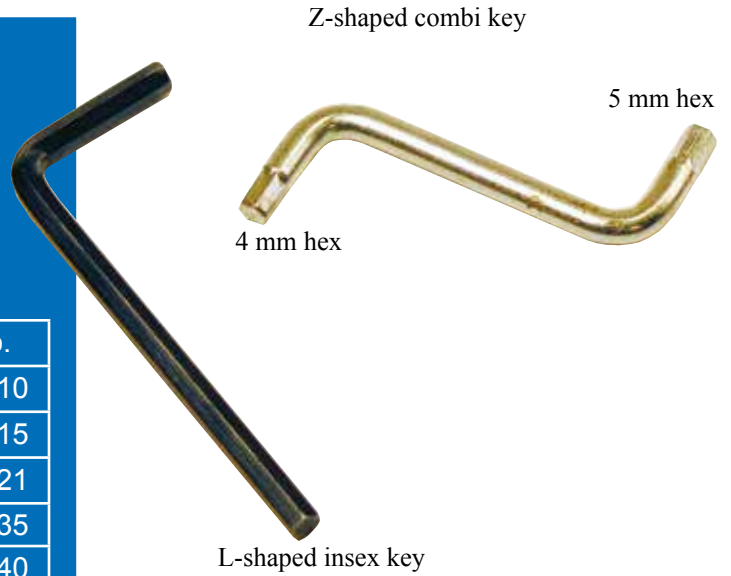
*Other sizes and colors on request.

Minimum quantity: 1000 pcs

INSEX KEYS

Material: Steel, Hardened
Hex: 4 or 5 mm or combi key with 4 & 5 mm
Finish: Bright Zinc Plated (BZP) or Black Zinc Plated
Type: L-shaped or Z-shaped

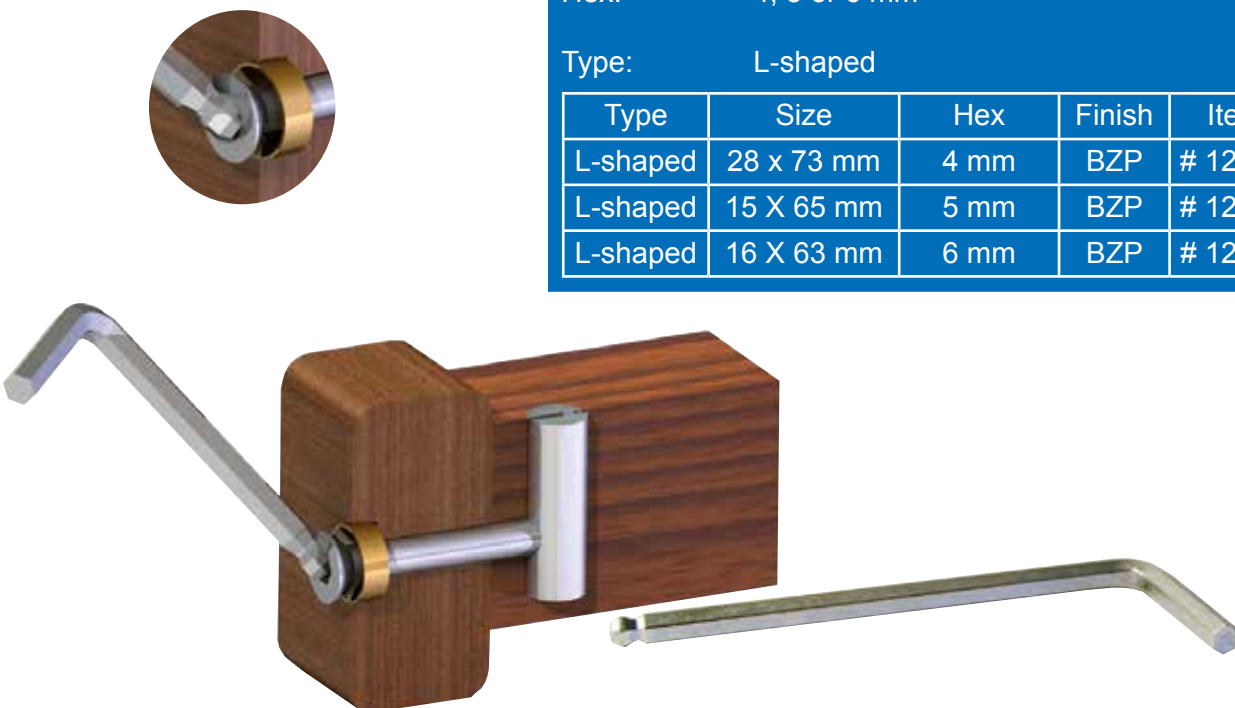
Type	Size	Hex	Finish	Item No.
L-shaped	23 x 65 mm	4 mm	Black	# 12.06.010
L-shaped	28 X 65 mm	4 mm	BZP	# 12.06.015
L-shaped	31 X 75 mm	5 mm	BZP	# 12.06.021
Z-shaped	37 X 48 mm	4 mm	BZP	# 12.06.035
Z-shaped	39 X 48 mm	5 mm	BZP	# 12.06.040
Z-shaped	35 X 50 mm	4 & 5 mm	BZP	# 12.06.027



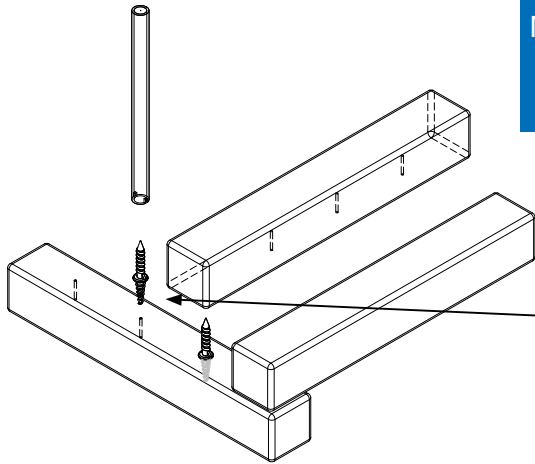
INSEX KEY W/BALL POINT

Material: Steel, Bright Zinc Plated
Hex: 4, 5 or 6 mm
Type: L-shaped

Type	Size	Hex	Finish	Item No.
L-shaped	28 x 73 mm	4 mm	BZP	# 12.06.061
L-shaped	15 X 65 mm	5 mm	BZP	# 12.06.063
L-shaped	16 X 63 mm	6 mm	BZP	# 12.06.062



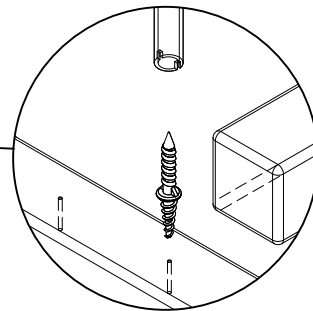
DOUBLE POINTED STEEL NAILS



Application: As a concealed connector for slats
 Material: Steel, Yellow Zinc Plated

Sizes: Ø 3,5 x 9 x 15 mm # 12.20.040
 Ø 4,0 x 13 x 18 mm # 12.20.050

Mounting: By use of self-made steel tube with slot. Inner diameter Ø 3,5 - 4,0 mm. Tube is to be inserted into your drilling machine.



CHIPBOARD SCREWS DIN 7505

Material: Steel, Zinc Plated (other materials & finishes on request)

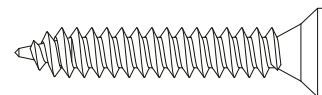
Thread: From Ø 3 mm up to Ø 6 mm

Lengths: From 12 mm up to 180 mm

Type: Pozidrive with countersunk head (see illustration)

Item No. # 11.10.511 etc.

Packing: SISO box packing or bulk (see illustration)



WOOD SCREWS

Material: Brass, Natural, Stainless Steel, Natural Steel, Yellow Zinc Plated

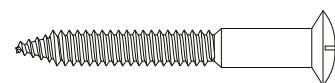
Diameter: From Ø 1,6 mm up to Ø 6,0mm

Length: From 8 mm up to 120 mm

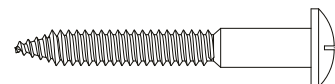
Type: Slotted with oval head DIN 95, round head DIN 96 or countersunk head DIN 97

Pozidrive with oval head DIN 7995, round head DIN 7996 or countersunk head DIN 7997

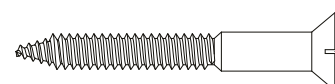
Item No. 11.07.603 etc.



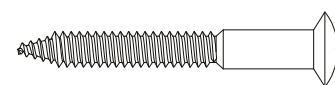
DIN 95



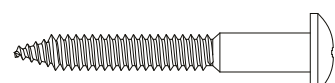
DIN 96



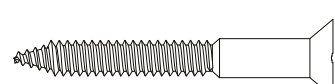
DIN 97



DIN 7995



DIN 7996



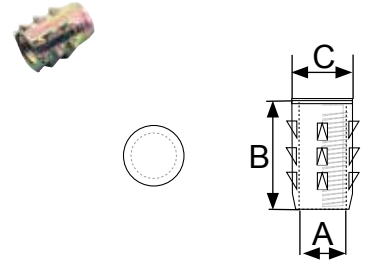
DIN 7997

KNOCK IN BUSHING »A«

Material Zamak, Yellow Zinc Plated (YZP)

Type Knock in. No collar

A	B	C	Finish	Item No.
M4	10 mm	Ø5 mm	YZP	# 12.09.990

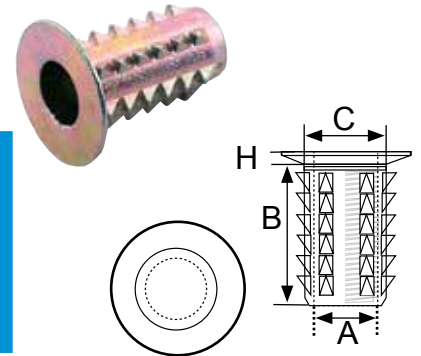


KNOCK IN BUSHING »BI«

Material Zamak, Yellow Zinc Plated (YZP)

Type Knock in. With countersunk collar

A	B	C	H = Head	Finish	Item No.
M8	20 mm	Ø10 mm	Ø19 x 3 mm	YZP	# 12.10.000

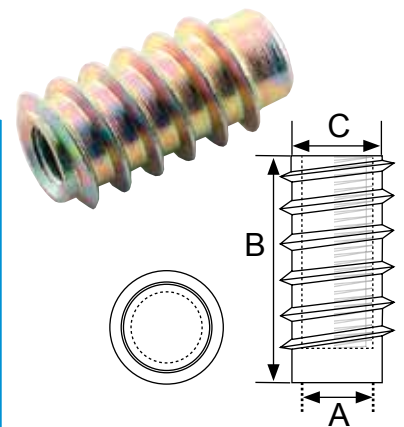


SCREW IN BUSHING »BL«

Material Steel, Yellow Zinc Plated (YZP)

Type Screw in by use of insert tool # 12.10.315.
Closed end & no collar

A	B	C	Finish	Item No.
M8	30 mm	Ø11,5 mm	YZP	# 12.10.179
M8	39 mm	Ø11,5 mm	YZP	# 12.10.180

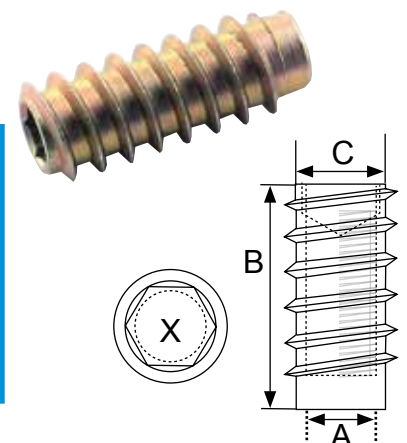


SCREW IN BUSHING »BL SK«

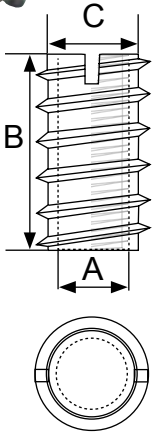
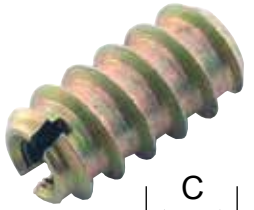
Material Steel, Yellow Zinc Plated (YZP)

Type Screw in by use of hex key. Closed end & no collar

A	B	C	X = Hex	Finish	Item No.
M8	30 mm	Ø11,5 mm	8 mm	YZP	# 12.10.176
M8	39 mm	Ø11,5 mm	8 mm	YZP	# 12.10.177



SCREW IN BUSHING »C«

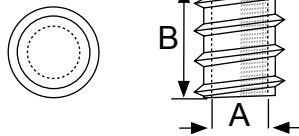


Material Brass, Natural or Steel, Yellow Zinc Plated (YZP) or Bright Zinc Plated (BZP)

Type Screw in with slot. No collar

A	B	C	Brass	A	B	C	YZP
M4	8,0 mm	Ø4,75 mm	# 12.10.002	M6	10 mm	Ø8 mm	# 12.10.075
M6	14,5 mm	Ø8 mm	# 12.10.106	M6	12 mm	Ø8 mm	# 12.10.095
A	B	C	BZP	A	B	C	YZP
M4	10 mm	Ø6 mm	# 12.10.008	M6	24 mm	Ø9 mm	# 12.10.109
M8	15 mm	Ø10 mm	# 12.10.151	M8	20 mm	Ø10 mm	# 12.10.175

SCREW IN BUSHING »CV«

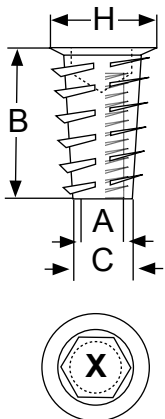


Material Steel, Yellow Zinc Plated (YZP)

Type Screw in by use of hex key. No collar

A	B	C	YZP
M6	12 mm	Ø8 mm	# 12.10.096
M6	15 mm	Ø8 mm	# 12.10.097

SCREW IN BUSHING »D«



Material Zamak, Yellow Zinc Plated (YZP)

Type Screw in by use of hex key. With collar

A	B	C	H = Head	Finish	X = Hex	Item No
M4	10 mm	Ø5,5 mm	Ø8,5 mm	YZP	4 x 3,5 mm	# 12.10.185
M5	10 mm	Ø7 mm	Ø11 mm	YZP	5 x 3,5 mm	# 12.10.186
M6	10 mm	Ø8 mm	Ø12 mm	YZP	6 x 3,5 mm	# 12.10.188
M6	13 mm	Ø8 mm	Ø12 mm	YZP	6 x 3,5 mm	# 12.10.191
M6	16 mm	Ø8 mm	Ø12 mm	YZP	6 x 3,5 mm	# 12.10.195
M6	20 mm	Ø8 mm	Ø12 mm	YZP	6 x 3,5 mm	# 12.10.211
M8	13 mm	Ø10 mm	Ø14,5 mm	YZP	8 x 4,5 mm	# 12.10.215
M8	20 mm	Ø10 mm	Ø14,5 mm	YZP	8 x 5,5 mm	# 12.10.217
M10	25 mm	Ø12 mm	Ø16 mm	YZP	10 x 7,0 mm	# 12.10.219

LOW PROFILE SCREW IN BUSHING

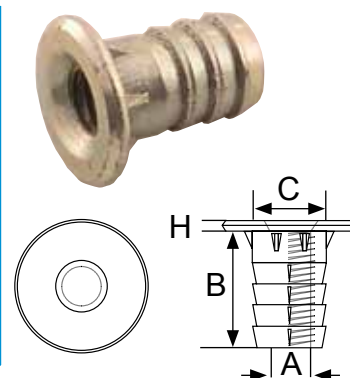


The only insert on the market especially designed with a very low profile for application in thin material such as veneer and plywood.

Item No.
M6 X 6/7 mm Yellow Zinc Plated # 12.10.500

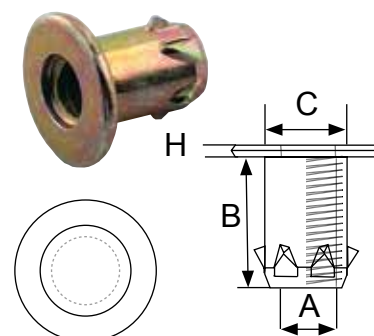
KNOCK IN BUSHING »DR«

Material	Steel, Yellow Zinc Plated (YZP) or Bright Zinc Plated (BZP)				
Type	Knock in. With collar				
A	B	C	H = Head	YZP	BZP
M6	14 mm	Ø8,3 mm	Ø14 x 1,5 mm	# 12.10.710	# 12.10.711
M8	16 mm	Ø10,5 mm	Ø19 x 2,5 mm	# 12.10.721	# 12.10.720
M10	17 mm	Ø12,5 mm	Ø22 x 2,5 mm	# 12.10.730	# 12.10.731



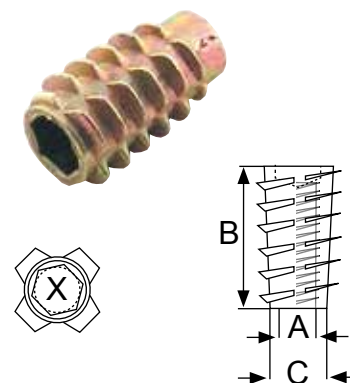
KNOCK IN BUSHING »DRN«

Material	Steel, Yellow Zinc Plated (YZP) or Bright Zinc Plated (BZP)				
Type	Knock in. With collar				
A	B	C	H = Head	YZP	BZP
M6	14 mm	Ø8,5 mm	Ø15 x 2 mm	# 12.10.712	# 12.10.713
M8	16 mm	Ø11 mm	Ø19 x 2,25 mm	# 12.10.723	# 12.10.722



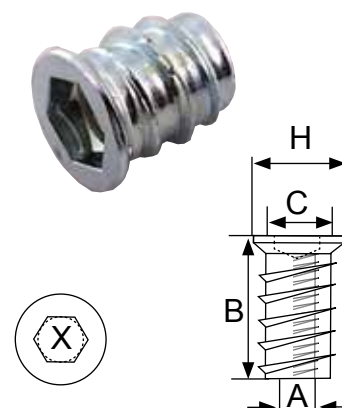
SCREW IN BUSHING »E«

Material	Zamak, Yellow Zinc Plated (YZP)			
Type	Screw in by use of hex key. No collar			
A	B	C	X = Hex	Item N0.
M6	13 mm	Ø7,5 mm	6 x 4,5 mm	# 12.10.222
M6	20 mm	Ø7,5 mm	6 x 5,7 mm	# 12.10.223
M8	13 mm	Ø10,5 mm	8 x 5,0 mm	# 12.10.225
M8	20 mm	Ø10,5 mm	8 x 5,5 mm	# 12.10.226
M8	25 mm	Ø10,5 mm	8 x 5,5 mm	# 12.10.227

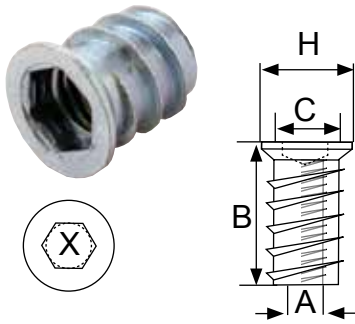


SCREW IN BUSHING »M«

Material	Steel, Bright Zinc Plated (BZP)				
Type	Screw in by use of hex key. With countersunk collar				
A	B	C	X = Hex	H = Head	Item No.
M6	12 mm	Ø8 mm	6 X 2 mm	Ø9,8 mm	# 12.10.258
M6	12 mm	Ø8 mm	6 X 3 mm	Ø12 mm	# 12.10.259
M6	15 mm	Ø8 mm	6 X 3 mm	Ø12 mm	# 12.10.260
M6	20 mm	Ø10 mm	6 X 3 mm	Ø12 mm	# 12.10.265
M8	15 mm	Ø10 mm	8 X 3 mm	Ø14 mm	# 12.10.270
M8	20 mm	Ø10 mm	8 X 3 mm	Ø14 mm	# 12.10.290
M8	24 mm	Ø10 mm	8 X 3 mm	Ø14 mm	# 12.10.292
M10	20 mm	Ø13 mm	10 X 3 mm	Ø17 mm	# 12.10.293



SCREW IN BUSHING »MZ«

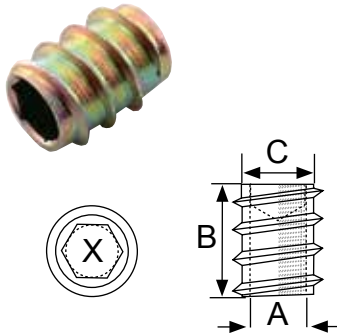


Material Zamak, Bright Zinc Plated (BZP)

Type Screw in by use of hex key. With countersunk collar

A	B	C	X = Hex	H = Head	Item No.
M6	13 mm	Ø8 mm	6 x 3,5 mm	Ø 12 mm	# 12.10.257
M8	15 mm	Ø10 mm	8 x 3,5 mm	Ø 14 mm	# 12.10.271

SCREW IN BUSHING »SK«

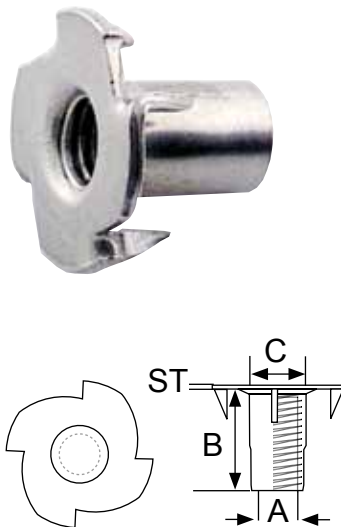


Material Steel, Yellow Zinc Plated (YZP) or Zamak (YZP)

Type Screw in by use of hex key. No collar

A	B	C	X = Hex	YZP	Material
M6	13,5 mm	Ø8,25 mm	6 x 3 mm	# 12.10.460	Steel
M6	15 mm	Ø8,5 mm	6 x 4,5 mm	# 12.10.461	Zamak

»T-NUT«



Material Steel, Bright Zinc Plated (BZP) or Plain
ST = Steel Thickness

Type Knock in, 4 Prongs

A	B	C	ST	Item No.	Finish
M4	5 mm	Ø6,5 mm	0,8 mm	# 12.11.001	BZP
M5	8 mm	Ø6,5 mm	0,8 mm	# 12.11.006	BZP
M6	8 mm	Ø7,5 mm	1,2 mm	# 12.11.011	BZP
M6	11 mm	Ø7,5 mm	1,2 mm	# 12.11.014	BZP
M6	15 mm	Ø7,5 mm	1,2 mm	# 12.11.017	BZP
M8	10 mm	Ø9,5 mm	1,2 mm	# 12.11.019	BZP
M8	15 mm	Ø9,5 mm	1,5 mm	# 12.11.021	Plain
M10	11 mm	Ø9,5 mm	1,5 mm	# 12.11.024	BZP
M10	16 mm	Ø11,75 mm	1,6 mm	# 12.11.027	BZP

TOOL FOR INSERTING SCREW IN BUSHING



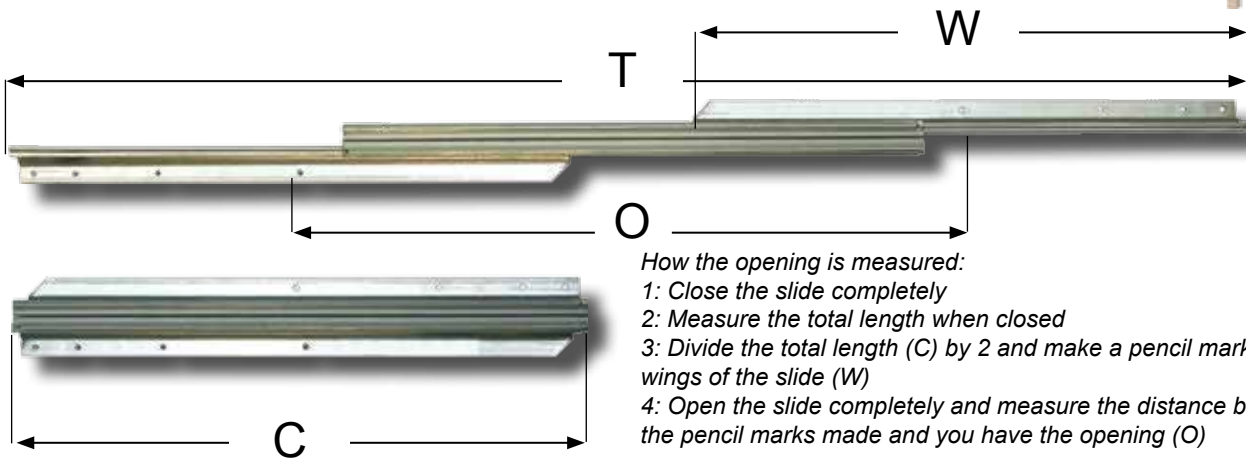
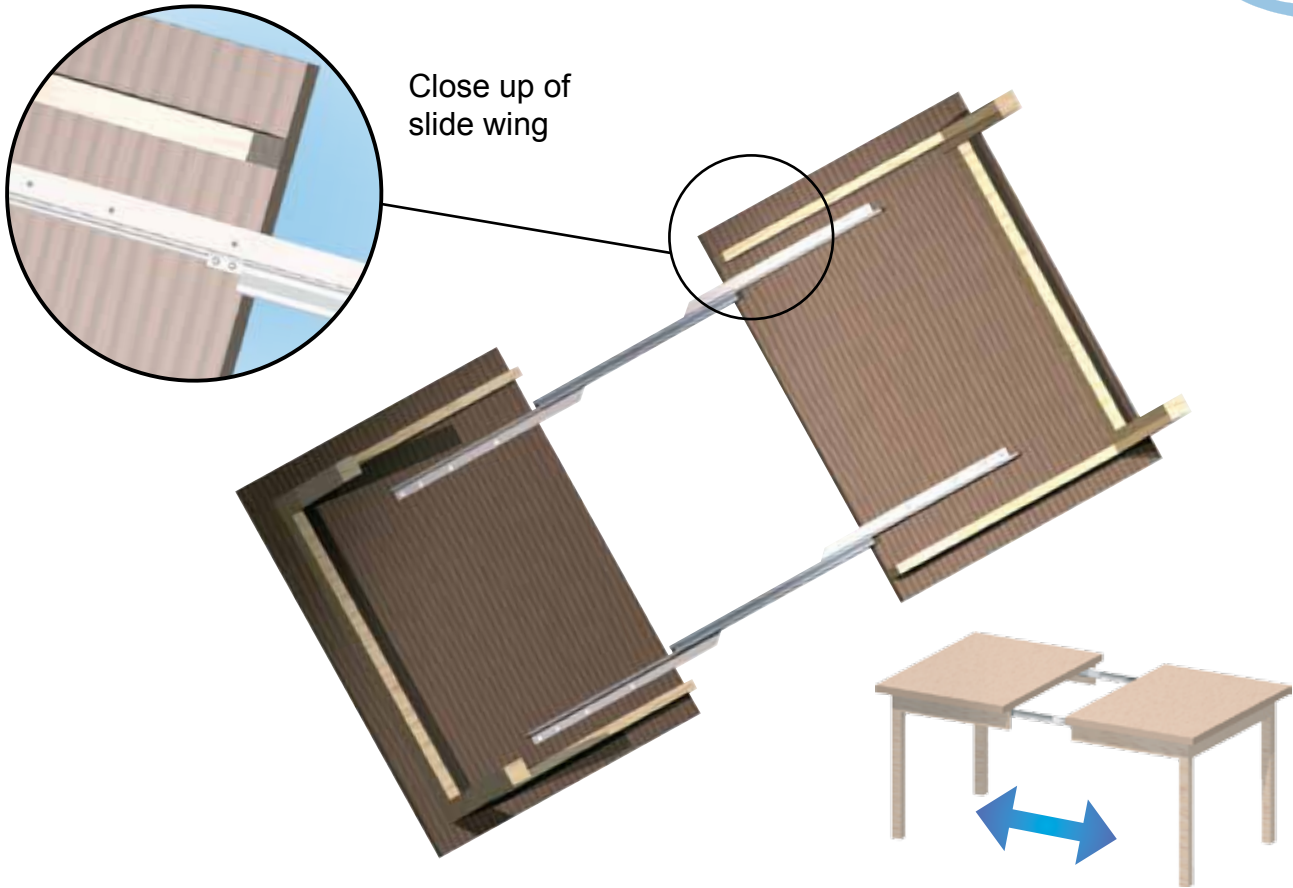
Material Steel

Type Tool for inserting screw in bushing

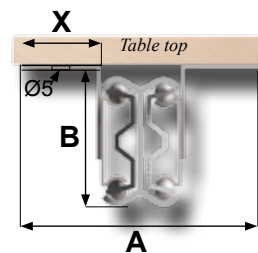
Thread	Item No.
M6	# 12.10.305
M8	# 12.10.315
M10	# 12.10.320

SPLIT FRAME

- high quality furniture fittings

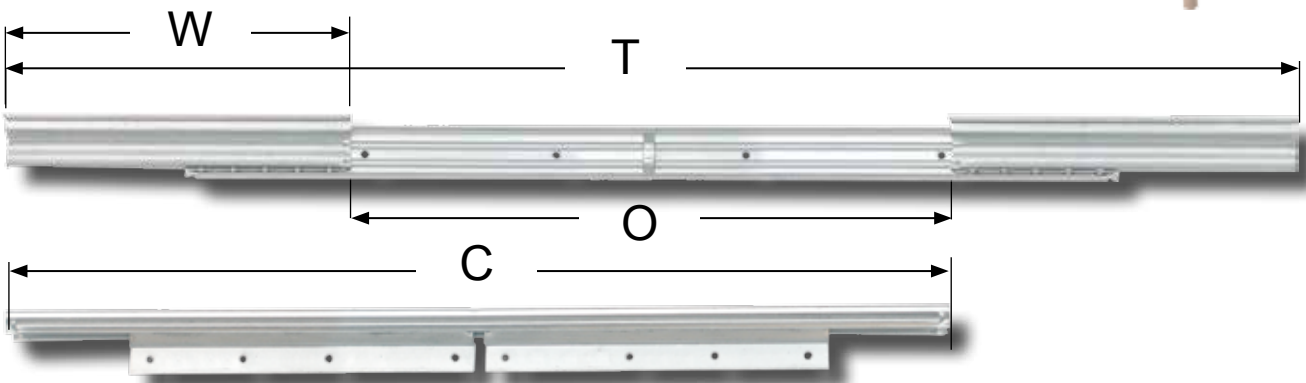
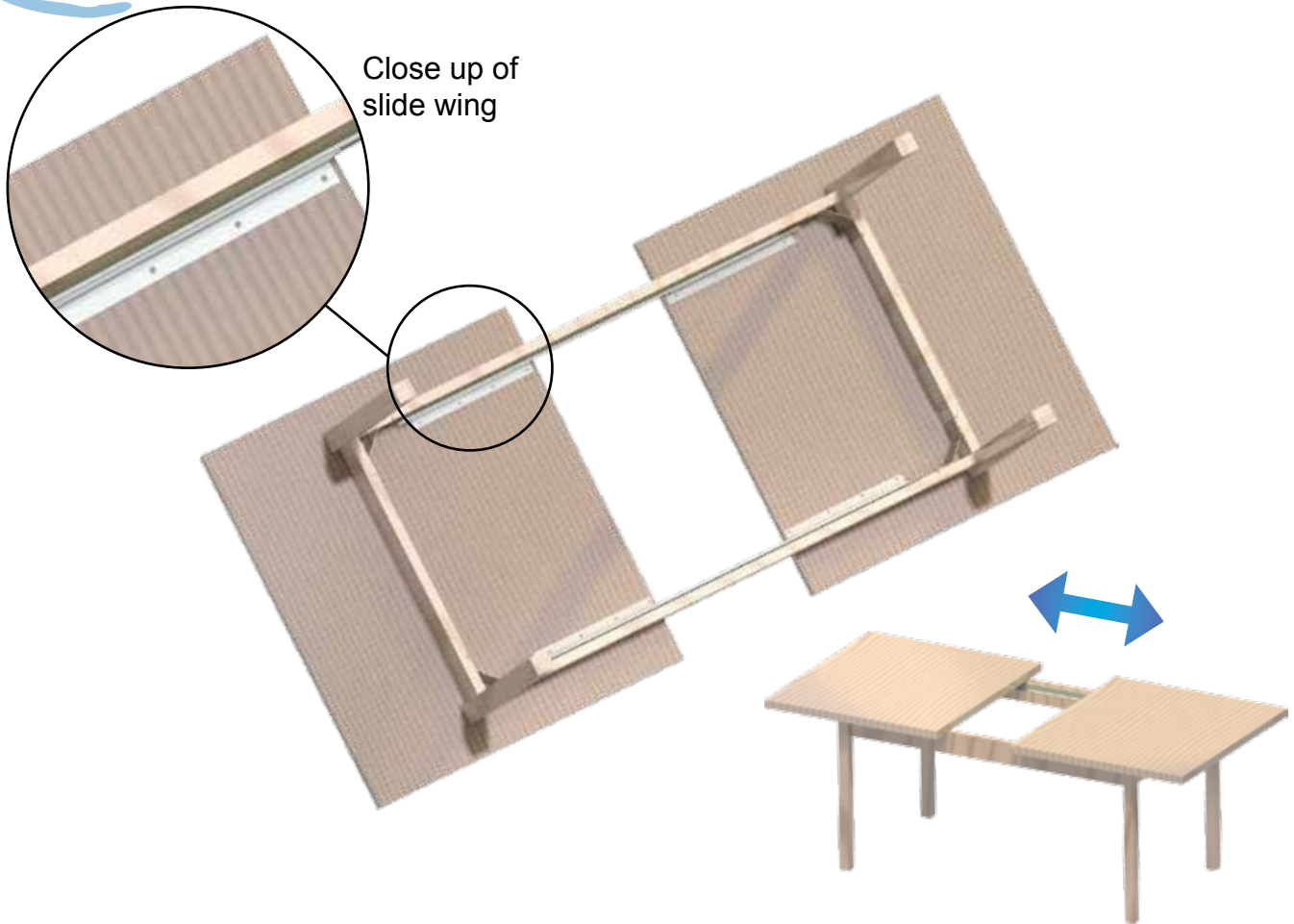


In mm	Model Split »Budget« Steel - Zinc Plated				
Opening (O)	530	630	870	950	1080
Closed Length (C)	400	530	610	680	800
Total Length (T)	850	1100	1440	1610	1770
Wing Size (W)	350	500	580	650	750
Slide Width (A)	85	85	85	85	85
Slide Height (B)	41	41	41	41	41
Wing Width (X)	22	22	22	22	22
Load Capacity	60 kg.	60 kg.	80 kg.	80 kg.	80 kg.
Item No.:	24.01.005	24.01.007	24.01.023	24.01.033	24.01.043

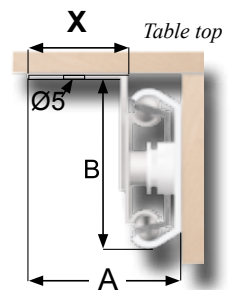


* Illustration only
for measurement use

Other sizes on request



In mm	Model Top Slide 9097 »Budget« Steel - Zinc Plated					
Opening (O)	430	480	530	590	630	1020
Closed Length (C)	600	650	700	750	800	1300
Total Length (T)	880	990	1040	1110	1150	1860
Wing Size (W)	220	246	246	260	260	420
Slide Width (A)	32	32	32	32	32	32
Slide Height (B)	40	40	40	40	40	40
Wing Width (X)	21	21	21	21	21	21
Load Capacity	45 kg.	45 kg.	45 kg.	45 kg.	45 kg.	45 kg.
Item No.:	24.05.013	24.05.024	24.05.037	24.05.044	24.05.051	24.05.085

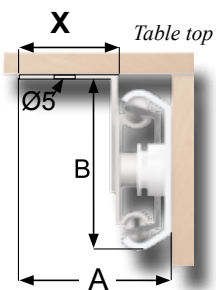
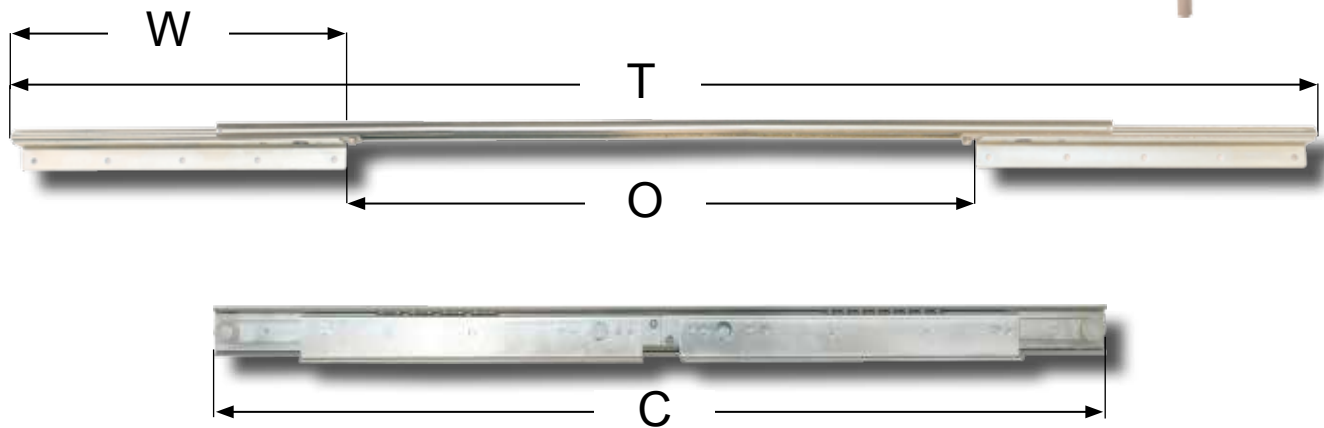
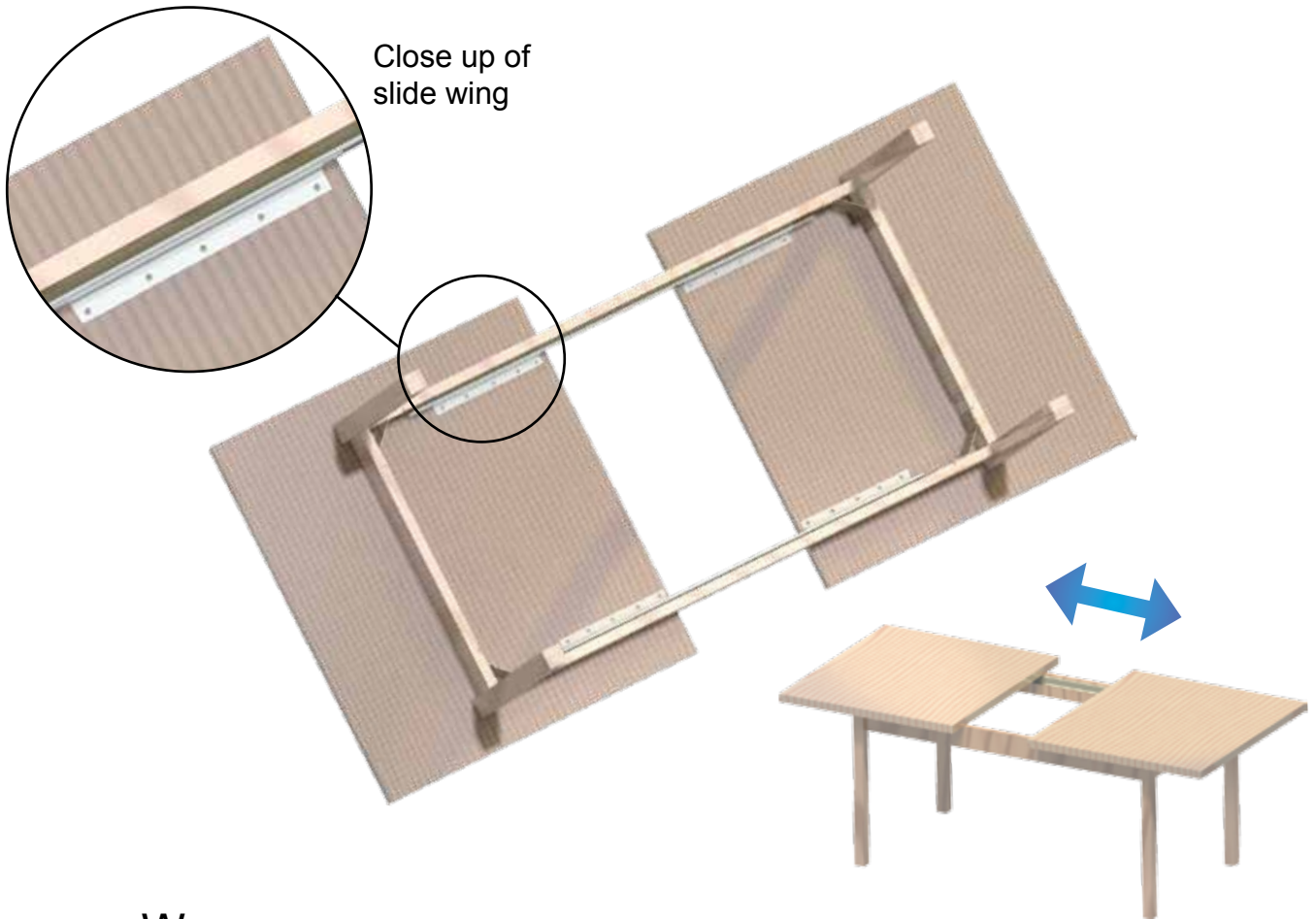


** Illustration only
for measurement use*

Other sizes on request

SYNCHRONIC SLIDE

- high quality furniture fittings

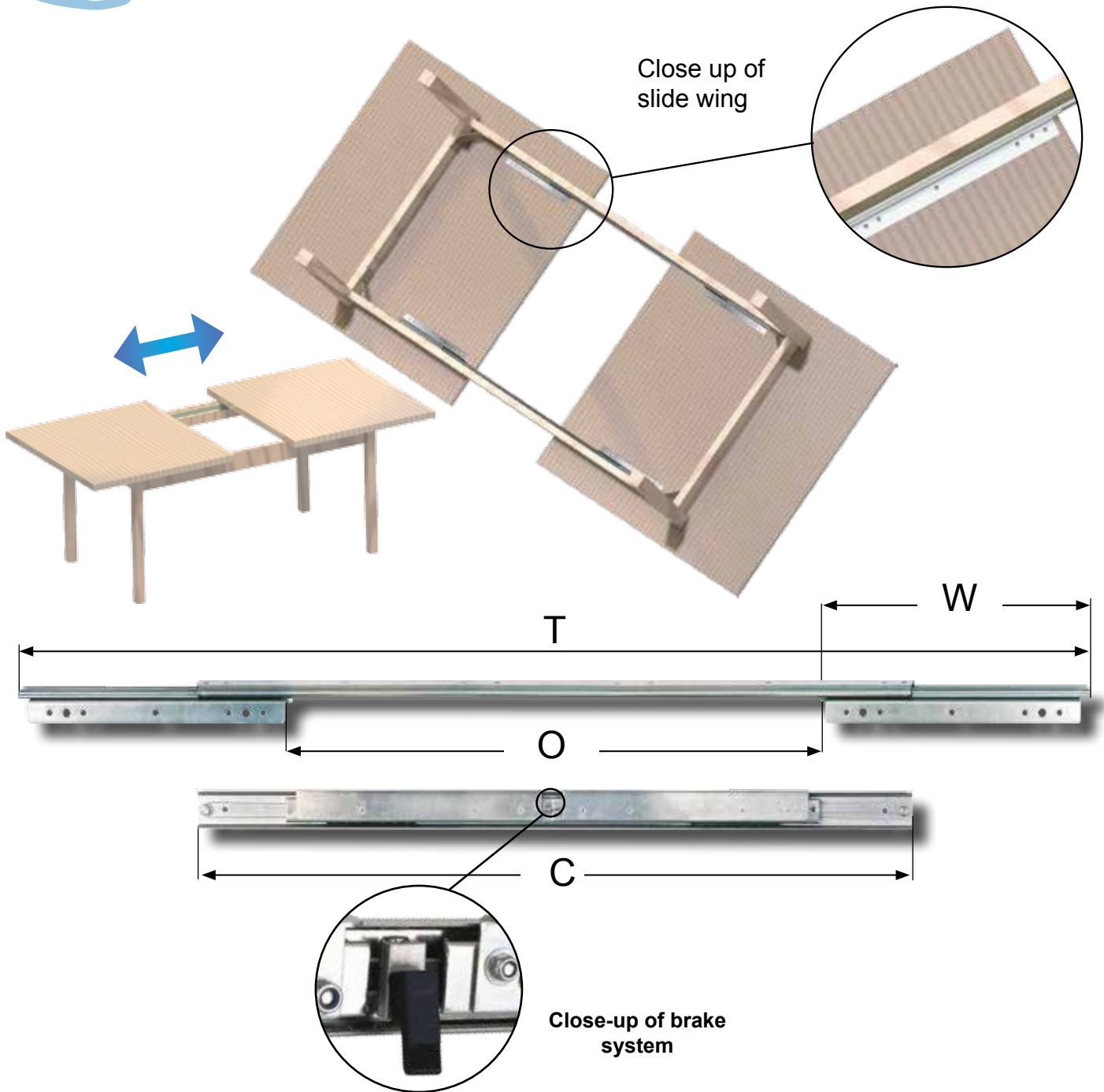


** Illustration only
for measurement use*

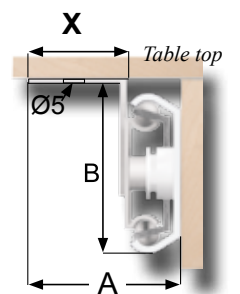
Other sizes on request

In mm	Model Synchronic »Budget« Steel - Zinc Plated					
Opening (O)	420	470	518	570	631	1020
Closed Length (C)	627	675	725	777	838	1227
Total Length (T)	1003	1051	1101	1153	1214	1859
Wing Size (W)	276	276	276	276	276	404
Slide Width (A)	34	34	34	34	34	34
Slide Height (B)	43	43	43	43	43	43
Wing Width (X)	21	21	21	21	21	21
Load Capacity	45 kg.	45 kg.	45 kg.	45 kg.	45 kg.	45 kg.
Item No.:	24.03.530	24.03.543	24.03.547	24.03.548	24.03.551	24.03.560

SYNCHRONIC SLIDE WITH BRAKE

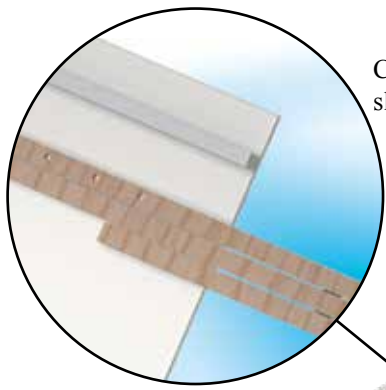


In mm	Model Synchronic "Brake" Steel - Zinc Plated						
Opening (O)	420	470	520	570	620	920	1020
Closed Length (C)	610	650	700	750	800	1250	1250
Total Length (T)	900	950	1000	1050	1180	1660	1760
Wing Size (W)	240	240	240	240	280	370	370
Slide Width (A)	33	33	33	33	33	39	39
Slide Height (B)	40	40	40	40	40	49	49
Wing Width (X)	20	20	20	20	20	22	22
Load Capacity	60 kg.	60 kg.	60 kg.	60 kg.	60 kg.	90 kg.	90 kg.
Item No.:	24.03.572	24.03.576	24.03.580	24.03.584	24.03.586	24.03.590	24.03.595

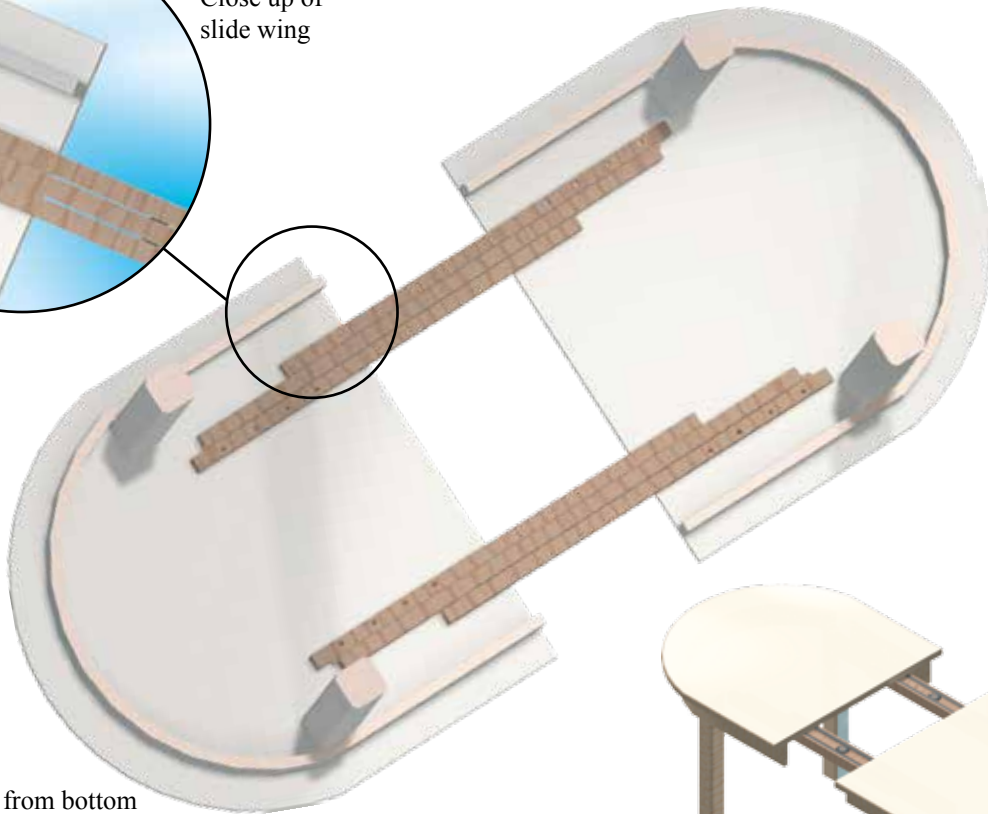


* Illustration only
for measurement use

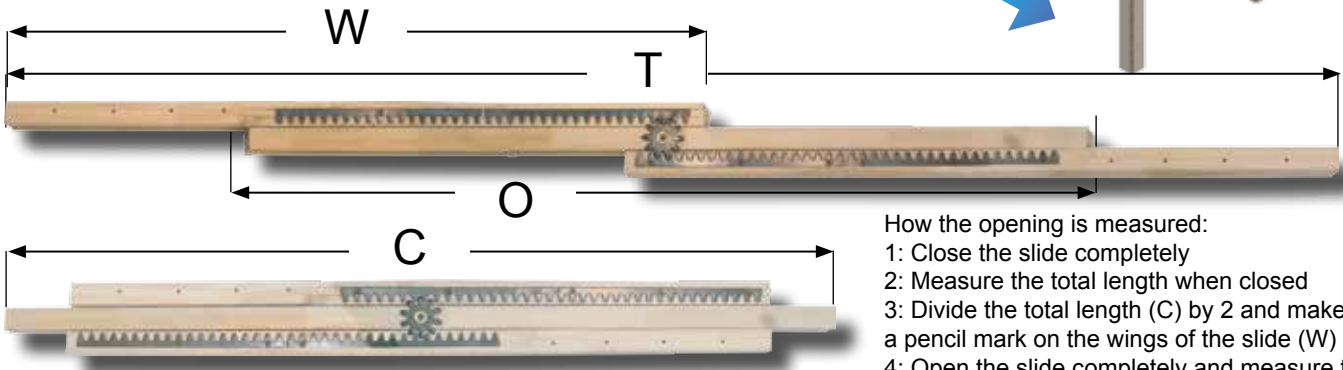
Other sizes on request



Close up of slide wing



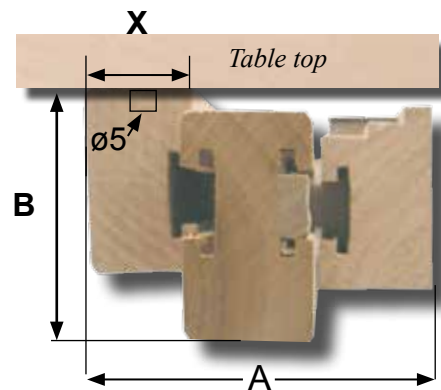
Right:
Table shown from bottom



How the opening is measured:

- 1: Close the slide completely
- 2: Measure the total length when closed (C)
- 3: Divide the total length (C) by 2 and make a pencil mark on the wings of the slide (W)
- 4: Open the slide completely and measure the distance between the pencil marks made and you have the opening (O)

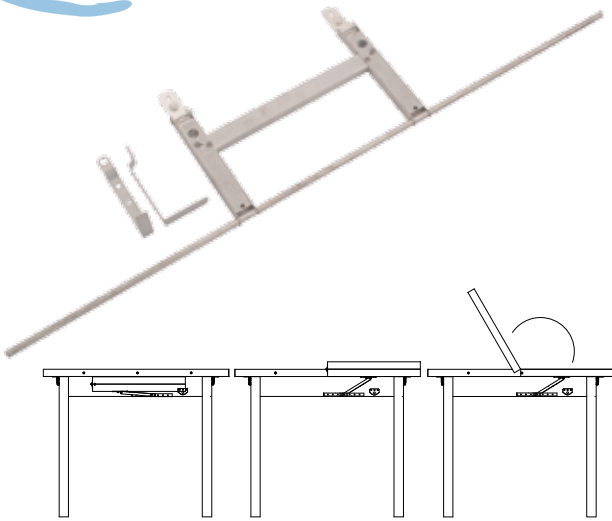
In mm	Wood Slide »Split« Durian Wood Hard Plastic Worm Gear		
Opening (O)	650	960	1035
Closed Length (C)	685	1060	1060
Total Length (T)	1340	2015	2082
Wing size (W)	683	1055	1055
Slide Width (A)	90	90	90
Slide Height (B)	60	60	60
Wing Width (X)	28	28	28
Item No.:	24.02.549	24.02.551	24.02.552



* Illustration only
for measurement use

HIDE AWAY MECHANISM

HIDE AWAY MECHANISM f/ FOLDED TABLE TOPS

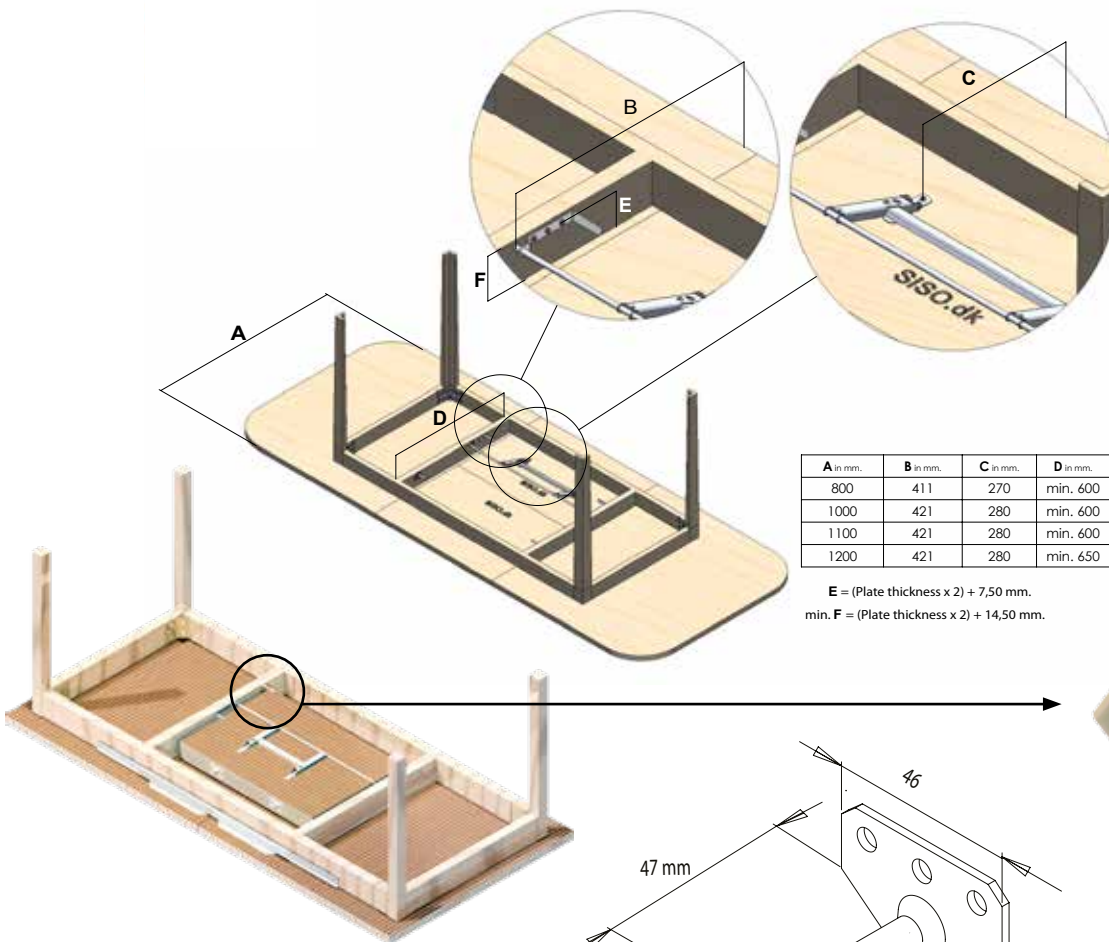


Hide Away Mechanism in action

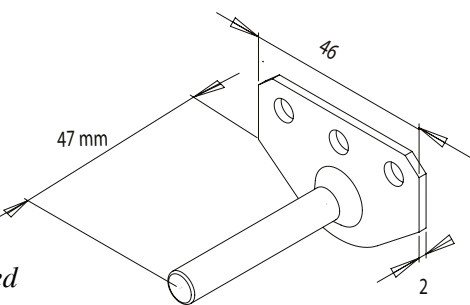
- Suitable for table flap widths from 400 to 700 mm.

Material: Steel
 Size: Bar: Ø8 x 800 mm
 Frame: 160 x 255 mm
 Clips: 20 x 75 mm
 Screw holes: Ø4,5 mm
 Finish: Chrome Plated

The Mechanism incl. 2 Brackets
 Material: Steel
 Size: 14 x 55 x 109 mm
 Screw holes: Ø 4,5 mm
 Finish: Chrome Plated
 Item No.: # 24.08.016

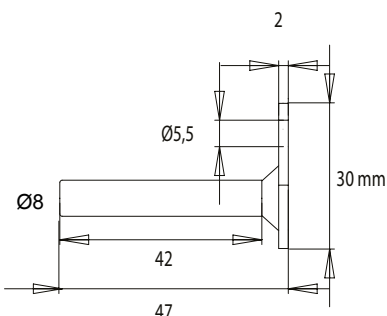


Hide Away Mechanism for Folded Table Tops
seen from bottom with other accessories mounted



SUPPORT BRACKET – f/ TABLE FLAPS

Material: Steel
 Size: Body: 46 x 30 mm
 Pin: Ø8 x 47 mm
 Screw holes: Ø5,5 mm
 Finish: Yellow Zinc # 24.03.160

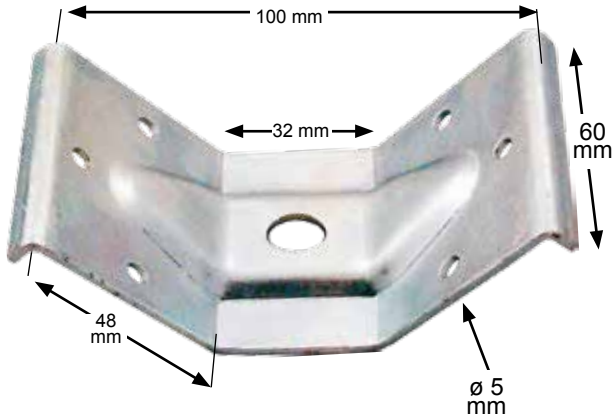


LEG CORNER BRACKETS

- high quality furniture fittings



MODEL 21

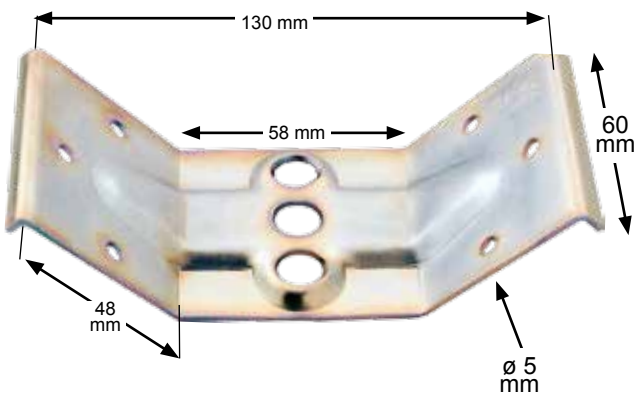


Height: 60mm 1 Hole f/M8 or M10 Bolt

Steel thickness 1,5mm:
 Steel, Yellow Zinc, 8 Micron # 11.07.035
 Steel, Bright Zinc # 11.07.030
 Stainless Steel # 11.07.110

Steel thickness 2,0mm:
 Steel, Yellow Zinc, 8 Micron # 11.07.037
 Steel, Bright Zinc # 11.07.038
 Stainless Steel # on request

MODEL 22

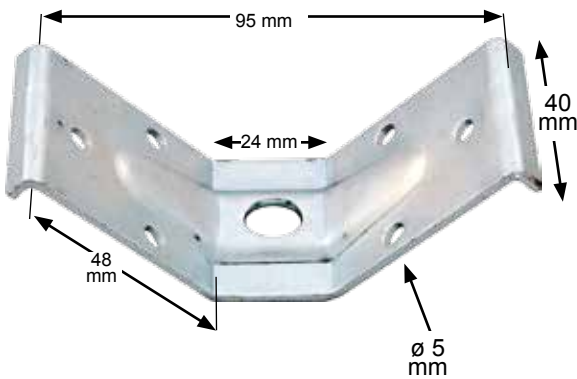


Height: 60mm 1 or 3 Holes f/M8 or M10 Bolt

1 Hole:
 Steel thickness 2,0mm:
 Steel, Yellow Zinc, 8 Micron # 11.07.042
 Steel, Bright Zinc # 11.07.040
 Stainless Steel # on request

3 Holes:
 Steel thickness 2,0mm:
 Steel, Yellow Zinc, 8 Micron # 11.07.043
 Steel, Bright Zinc # 11.07.041
 Stainless Steel # on request

MODEL 23

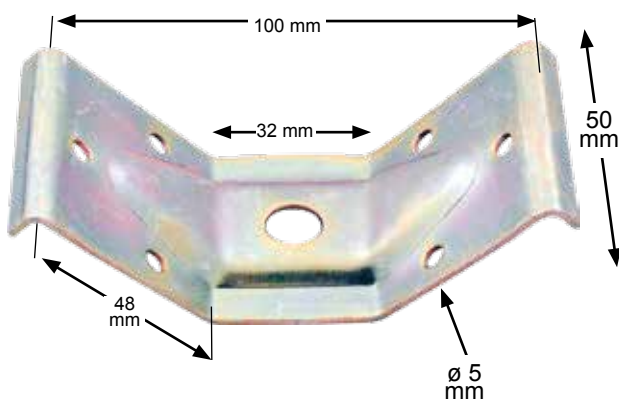


Height: 40mm 1 Hole f/M8 or M10 Bolt

Steel thickness 1,5mm:
 Steel, Yellow Zinc, 8 Micron # 11.07.051
 Steel, Bright Zinc # 11.07.050
 Stainless Steel # on request

Steel thickness 2,0mm:
 Steel, Yellow Zinc, 8 Micron # 11.07.056
 Steel, Bright Zinc # 11.07.055
 Stainless Steel # on request

MODEL 26



Height: 50mm 1 Hole f/M8 or M10 Bolt

Steel thickness 1,5mm:
 Steel, Yellow Zinc, 8 Micron # 11.07.061
 Steel, Bright Zinc # 11.07.060
 Stainless Steel # on request

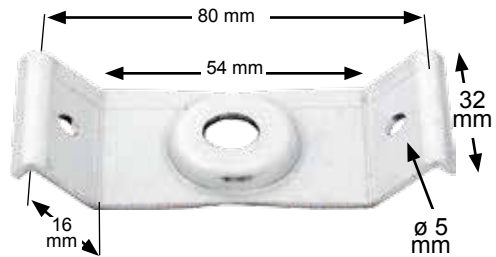
Steel thickness 2,0mm:
 Steel, Yellow Zinc, 8 Micron # 11.07.066
 Steel, Bright Zinc # 11.07.065
 Stainless Steel # on request

MODEL 27

Height: 32mm 1 Hole f/M8 or M10 Bolt

Steel thickness 2,0mm:

Steel, Yellow Zinc, 8 Micron	# 11.07.071
Steel, Bright Zinc	# 11.07.070
Stainless Steel	# on request



HEXAGONAL NUT DIN 934

Material: Steel
Finish: Yellow Zinc or Bright Zinc

Size:	Item No.:
M6	# 12.11.905/906
M8	# 12.12.015/16
M10	# 12.12.026/27



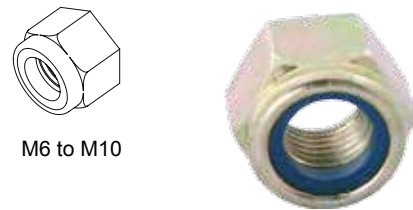
M6 to M10

M6 to M10

HEXAGONAL NUT WITH NYLON RING DIN 985

Material: Steel and nylon
Finish: Yellow Zinc or Bright Zinc (Stainless Steel on request)

Size:	Item No.:
M6	# 12.12.421
M8	# 12.12.440
M10	# 12.12.445

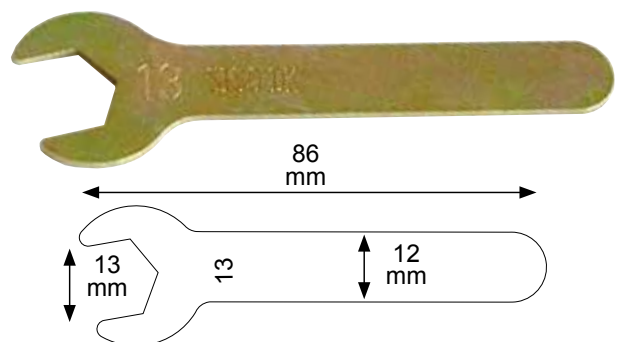


M6 to M10

M6 to M10

WRENCH KEY F/HEX NUTS

Material:	Steel Yellow Zinc Plated	
Hex:	8 mm (others on request)	
Item No.:	Hardened steel	# 12.06.155
	Unhardened steel	# 12.06.150



WING NUT

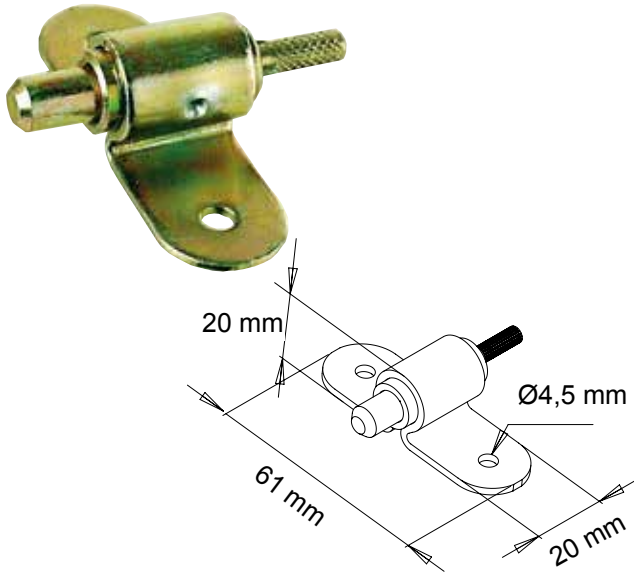
Material: Steel
Finish: Yellow Zinc or Bright Zinc

Size:	Item No.:
M6	# 12.12.050/51
M8	# 12.12.055/58
M10	# 12.12.060/61



M6 to M10

LOCKING PIN »CEPACOMO«



Material:	Steel
Size:	Body: 20 x 61 mm Pin: Ø 8 x 11 mm
Screw holes:	Ø 4,5 mm
Finish: Yellow Zinc	# 04.05.150

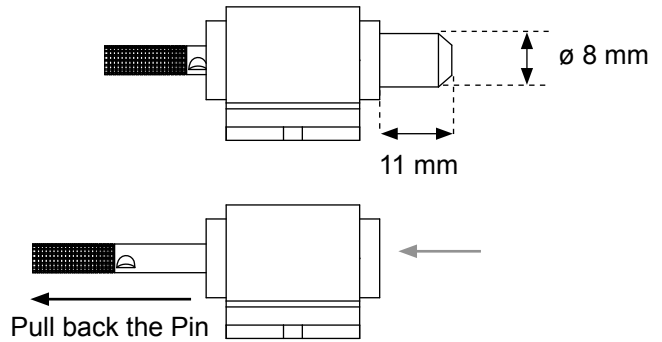


TABLE HOOK »DE LUXE«

Material:	Zamak
Total Size:	23,5 x 53,5 mm
Hook opening:	7 mm
Screw hole:	Ø 4 mm
Finish: Nickel Plated	# 24.03.085
Finish: Yellow Zinc	# 24.03.086

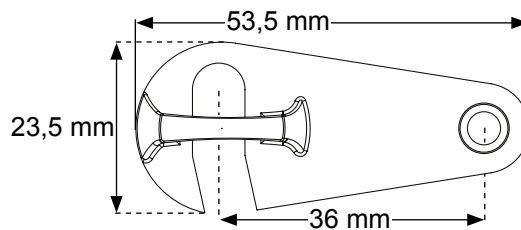
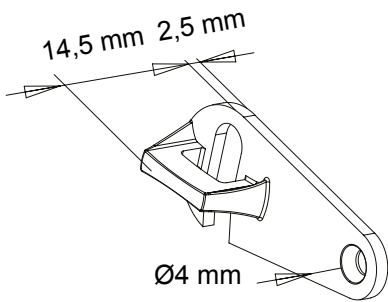
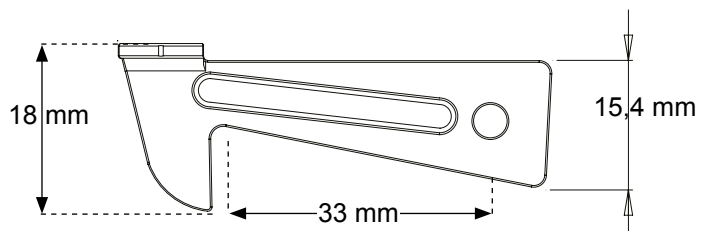
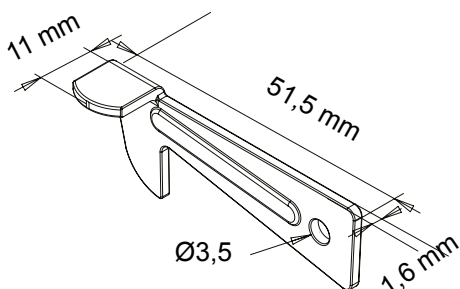


TABLE HOOK »# 7864«

Material:	Steel 1,60 mm
Total Size:	18 x 51,5 mm
Screw hole:	Ø 3,5 mm
Finish: Yellow Zinc	# 24.03.080



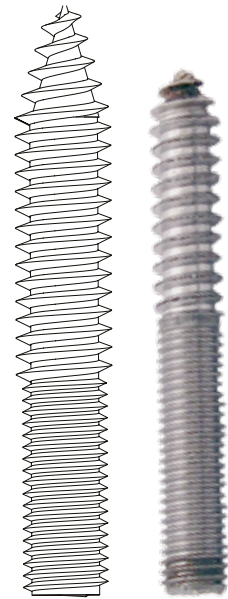
HANGERBOLTS & WASHERS

HANGERBOLTS

Material: Steel
 Finish: Yellow Zinc or Bright Zinc (Stainless Steel on request)

Size	Item No.:	Size	Item No.:
M4 x 25 mm	# 12.13.000	M8 x 100 mm	# 12.13.037/38
M4 x 50 mm	# 12.13.001	M10 x 50 mm	# 12.13.150
M6 x 50 mm	# 12.13.006/08	M10 x 60 mm	# 12.13.160/61
M6 x 60 mm	# 12.13.016/17	M10 x 70 mm	# 12.13.170
M8 x 50 mm	# 12.13.022/23	M10 x 80 mm	# 12.13.180
M8 x 60 mm	# 12.13.027	M10 x 90 mm	# 12.13.190
M8 x 70 mm	# 12.13.031/32	M10 x 100 mm	# 12.13.100
M8 x 80 mm	# 12.13.035	M10 x 120 mm	# 12,13.205

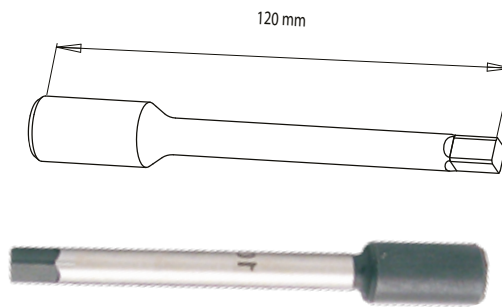
Other sizes on request



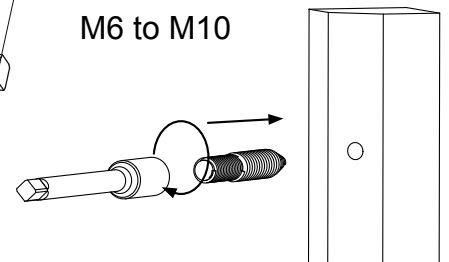
M4 to M10

TOOL FOR INSERTING HANGERBOLTS

Size	Item No.:
M6	# 12.13.100
M8	# 12.13.105
M10	# 12.13.115



M6 to M10



WASHERS

Material: Steel, Yellow Zinc Plated or Bright Zinc Plated
 Brass, Natural
 Stainless Steel, Natural

Sizes: Inner diameter 6,4/8,4 & 10,5 mm

Type: Flat washer DIN 125-A
 Spring washer DIN 127
 Serrated lock washer DIN 6798A

Item No. 12.13.294 etc.

Spring washer

Serrated lock washer

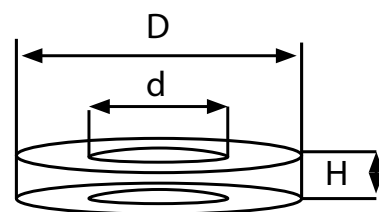
Flat washer



NYLON WASHERS

Material: Polyamid (PA), natural.

Item - number	D diameter	d diameter	H height
#12.13.455	6 mm	2,5 mm	0,5 mm
#12.13.456	8 mm	4,3 mm	1,5 mm
#12.13.458	13 mm	8,6 mm	2 mm
#12.13.460	17 mm	8,6 mm	2 mm
#12.13.461	17 mm	8,4 mm	1,5 mm
#12.13.470	20 mm	10,5 mm	2 mm
#12.13.471	20 mm	13 mm	2 mm
#12.13.475	20 mm	10,5 mm	2,5 mm
#12.13.476	20 mm	10,5 mm	2,5 mm
#12.13.480	24 mm	13 mm	2,5 mm
#12.13.500	30 mm	17 mm	3 mm



*Other sizes and colors on request.

Minimum quantity: 1000 pcs

VARIOUS STAINLESS STEEL SCREWS, NUTS & WASHERS

Ask for any screw, nut & washer in stainless steel and we will quote you. No stock item. All on request





PATENTED

TWISTER - LEG CONNECTOR

The “Twister” leg connector is designed for installing a leg in any position from 0 – 20 degrees – one way, simply by twisting the leg tightly onto the connector plate.

May be used on tables, cabinets, beds, sofas ect. wherever a leg is needed.

“Twister” gives the possibility to change the design on the furniture whenever there is a demand. Furthermore it may be used as a height adjuster/leveller in case of uneven floors.

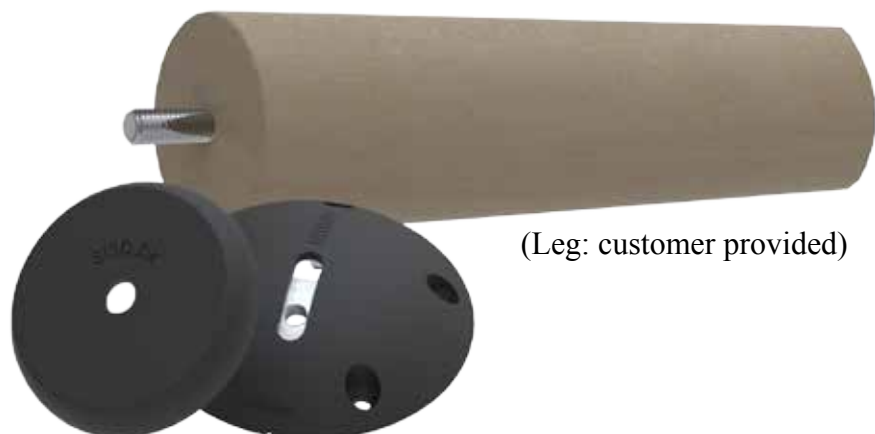
Adjustable up to 40mm when changing the angle from 0 – 20 degrees. ”Twister” is designed for maximum leg diameter of 50mm and M8 bolt.

The round sliding plate and body are made of black reinforced ABS.

The internal part is made of steel.

Danish design by SISO & Jesper Møller Hansen.

Pat. Pending in EU & US.



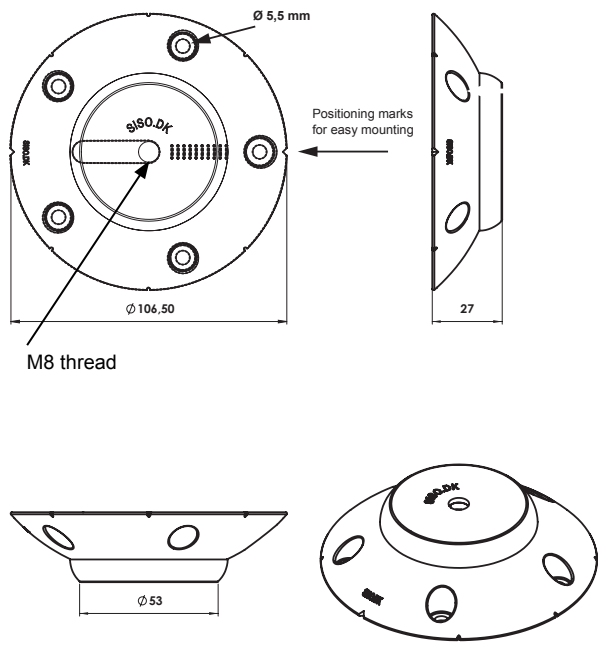
(Leg: customer provided)

TWISTER - THE LEG CONNECTOR

- high quality furniture fittings



Material: Reinforced ABS & steel
 Total size: Ø 106,5 x 27 mm
 Screw holes: Ø 5,5 mm
 Item No.: 06.11.100
 Packing: 1 pce pr. inner box
 Screws and hangerbolt to be bought separately.





LAZY SUSAN ALUMINIUM TURNTABLE

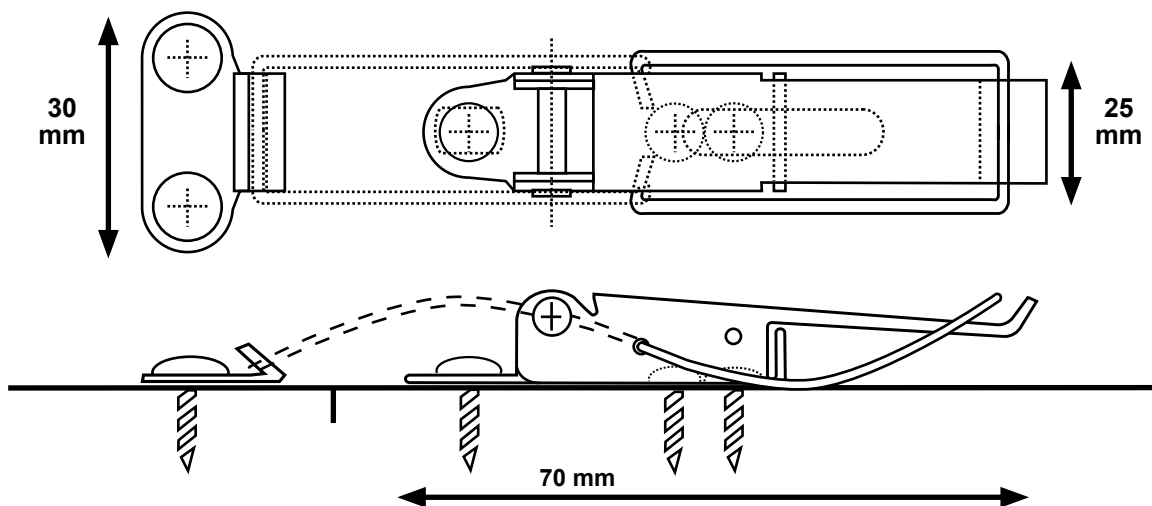
Material: Ring: 1st grade aluminium, Die Cast
 Balls: High grade stainless steel (grade 200)

Application: 360 Degree easy swivelling, apply to any kind of dining table, TV-stand, computer tables etc.
 Also perfect for outdoor use when using stainless steel ball bearings.

Sizes		Item. No.:	Load Capacity	Top		Bottom	
Outer diameter	Inner diameter			Out	In	Out	In
Ø304 x 12mm	Ø247mm	# 16.15.371	50-70 kg	White rubber Ø10 x 3,3 mm 6	Ø5,5 mm CSK Holes 4	Ø5,5 mm CSK Holes 4	White rubber Ø10 x 3,3 mm 6
Ø401 x 12mm	Ø338mm	# 16.15.382	80-100 kg	6	4	4	6
Ø600 x 12mm	Ø528mm	# 16.15.395	170-190 kg	8	4	4	8

CATCH # 22

- high quality furniture fittings



Catch #22 is a patented version of the traditional table catch. This new model holds itself flat underneath the table top and spare leaves in both the locked and unlocked position.

Flat to base, even when unlocked - see picture A - D.

The old version always hung loose underneath the table and from spare leaves when not in use. This could easily cause damage to surfaces and edges, particularly on tables fitted with folding »butterfly« extension leaves and even to peoples' legs and clothing.

Catch #22

Material:

Stainless Steel, Polished 304	# 24.03.000
Steel, Bronzed Plated	# 24.03.001
Steel, Yellow Zinc Plated	# 24.03.002
Steel, Bright Zinc Plated	# 24.03.003
Steel, Black e-coating	# 24.02.999

Fixation:

Wood Screws: Ø 4 mm x 16 mm, Pan Head

Standard packing: 600 Pcs. per carton.

Besides the standard version we also offer the Catch #22 with a 60 mm long hasp for tables with chamfered edges.

Material

Steel, Yellow Zinc Plated	# 24.03.005
---------------------------	-------------

Patent:

UK Pat No. 2309252
 United States Patent 6,041,721
 EP Pat. No. 0786217B1

A



B



C



D



SURF

BREAKING THE TRADITIONS



SURF

the new patented solution for connecting tables

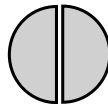
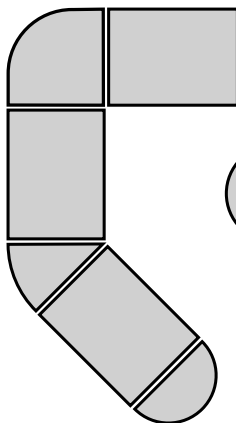
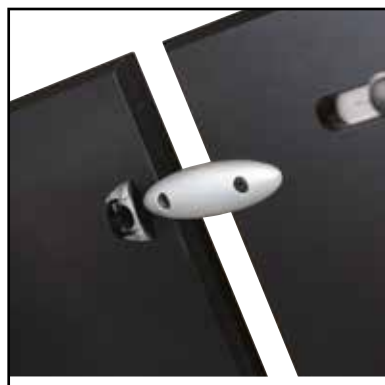
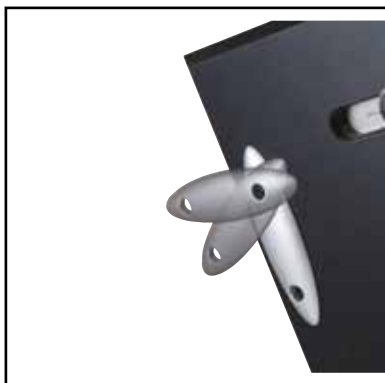
The **SURF** table connector is the latest development of our table connector **CLICK CATCH**.

With the **SURF** we combine design with improved functionality. Not only does the **SURF** connect and hold the table leaves like the **CLICK CATCH** - it also pulls the table leaves together.

The **SURF** is mounted under the table top to connect tables by sliding the ellipse into the female part. When connected, you lock and tighten the **SURF** by closing the black plastic locking cap.

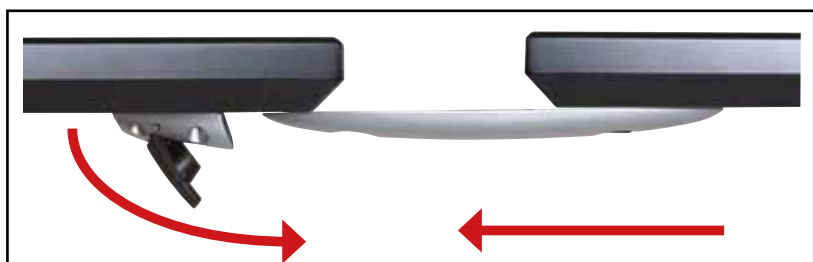
When not in use the ellipse is easily swivelled back under the table top, where it remains invisible and of no obstruction to knees! The female part, when not in use, works like a spacer for safe stacking of additional table leaves.

Danish design by SISO & Jesper Møller Hansen



1 set consists of a male and a female part made of zamak. Fixation by means of 4 wood screws, a zamak screw-in bushing and a fifteen screw.

1 Male + 1 female - Alu finish	# 24.03.100
Female part only - Alu finish	# 24.03.102
Wood screw Ø4 x 16 mm, BZP	# 15.04.400
Fifteen screw M6 x 25 mm, black	# 12.00.903
Screw-in bushing E-620, zamak M6 x 20 mm, YZP	# 12.10.223

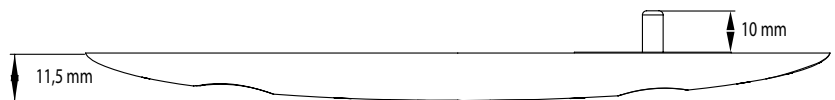
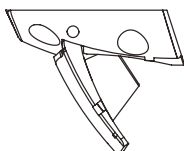
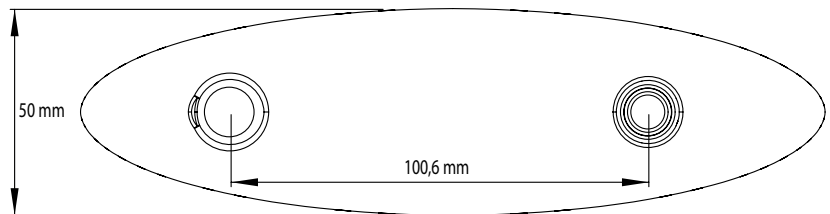
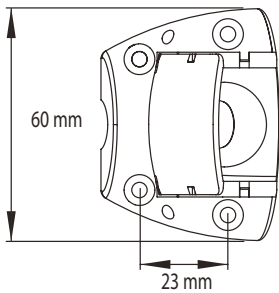
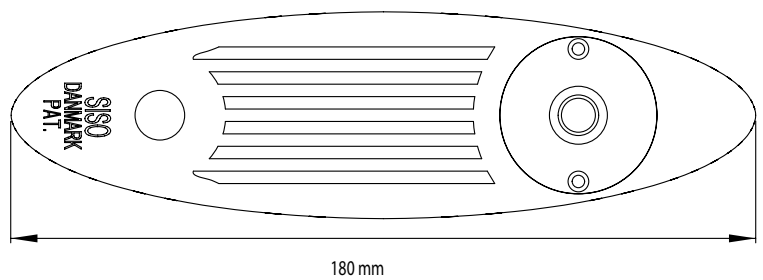
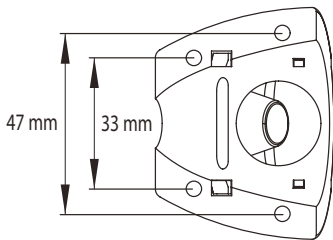
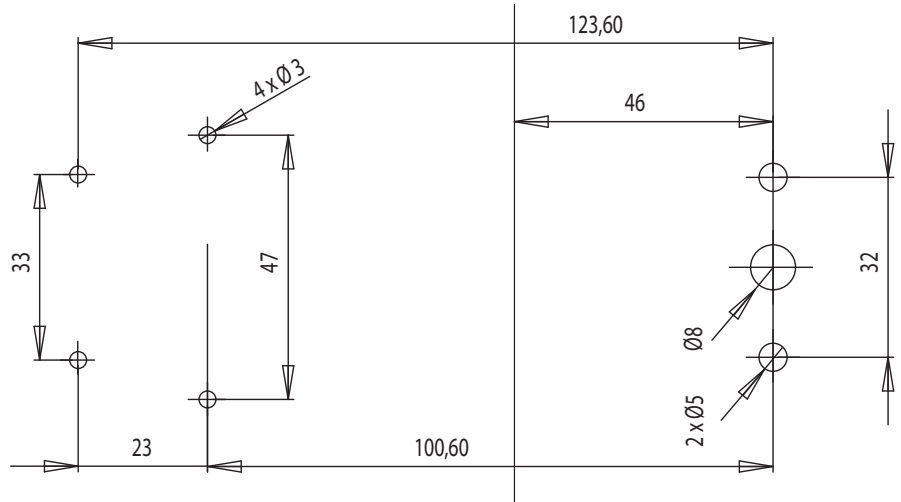


SURF - THE TABLE CONNECTOR

- high quality furniture fittings

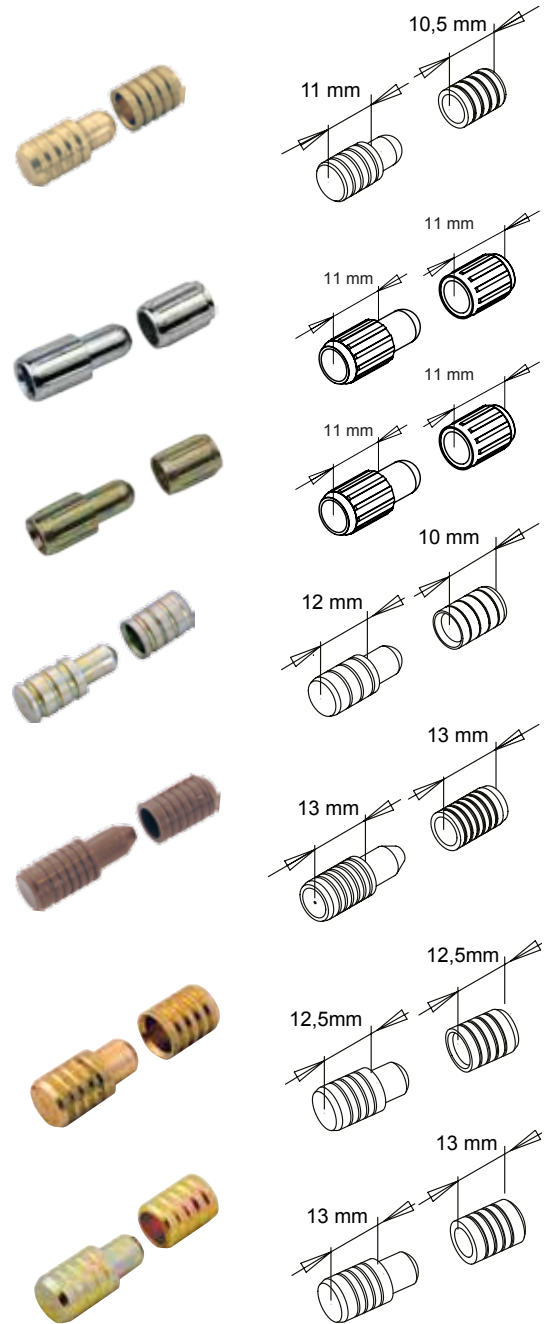


PATENTED



LOCATING PINS

Material:	Brass	
Size:	Ø8 x 21,5 mm	
Finish:	Natural	
Item No.:	Male	# 11.06.855
	Female	# 11.06.856
Material:	Steel	
Size:	Ø8 x 22 mm	
Finish:	Yellow Zinc 8 Micron or Bright Zinc 3 Micron	
Item No.:	Male - BZP	# 11.06.846
	Female - BZP	# 11.06.845
	Male - YZP	# 11.06.850
	Female - YZP	# 11.06.849
Material:	Steel	
Size:	Ø8 x 22 mm	
Finish:	Yellow Zinc 8 Micron	
Item No.:	Male & Female	# 11.06.851
Material:	Nylon	
Size:	Ø8 x 26 mm	
Finish:	Brown	
Item No.:	Male	# 11.06.890
	Female	# 11.06.891
Material:	Brass	
Size:	Ø10 x 25 mm	
Finish:	Natural	
Item No.:	Male	# 11.06.857
	Female	# 11.06.858
Material:	Steel	
Size:	Ø10 x 26,2 mm	
Finish:	Yellow Zinc 2-3 Micron	
Item No.:	Male & Female	# 11.06.854



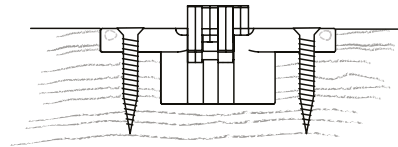
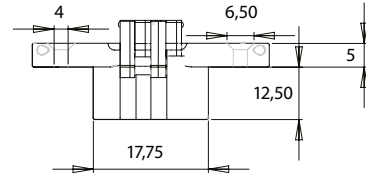
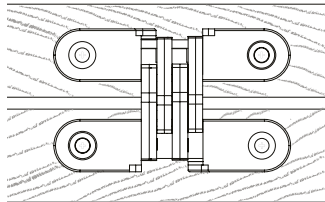
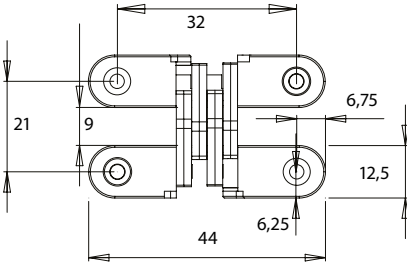
CIRCULAR TABLE SPANNER

Material:	Zamak, 3 mm
Screw hole:	Ø 3,5 mm
Diameter:	Ø 60 mm
Item No.:	Brass Plated # 24.03.070
Item No.:	Nickel Plated # 24.03.071

VICI HINGE - ZAMAK w/ STEEL LINKAGE - 180°

Material Body: Zamak
 Linkage: Steel
 Finish: Yellow Zinc Plated (YZP)
 Size: 44 x 12,5 mm
 Screw Hole: Ø 4 mm - c/c 32 mm
 Item No.: # 15.07.115

Other sizes and finishes on request

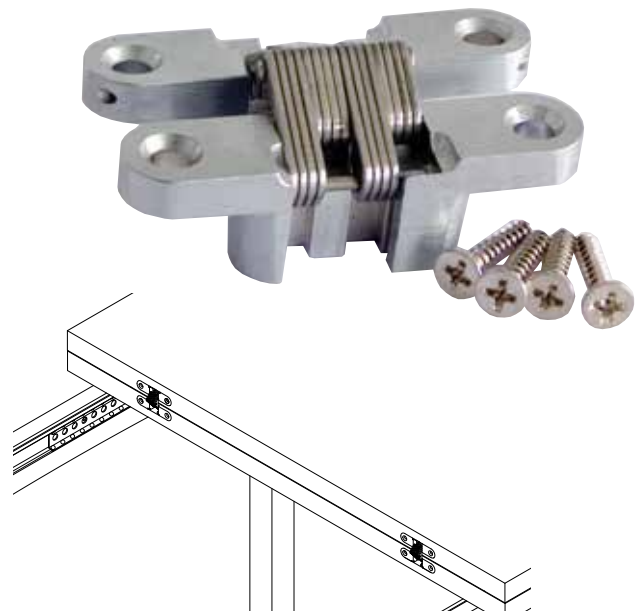
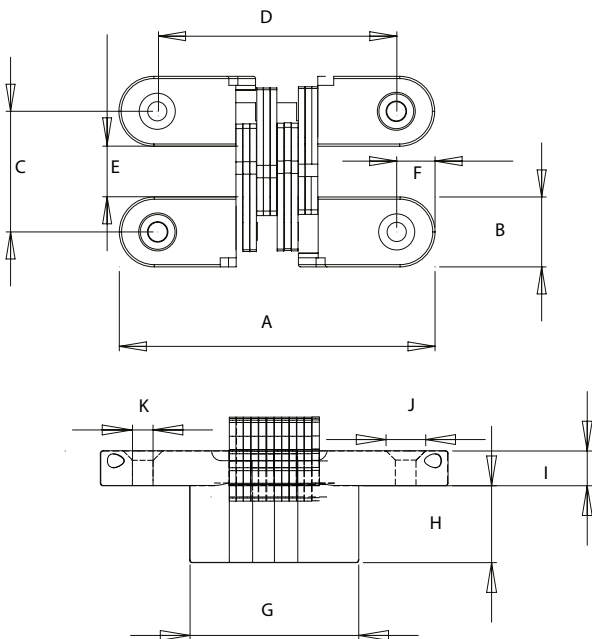


VICI HINGE - ZAMAK w/ SS LINKAGE - 180°

Material Body: Zamak
 Linkage: Stainless Steel (SS)
 Finish: Body: Stainless Steel look- Brushed
 Linkage: Plain

Incl. 4 CSK chip board screws

A	B	C	D	E	F	G	H	I	J	K	Item No.
45 mm	13 mm	21 mm	32 mm	8 mm	7 mm	18,5 mm	12 mm	5 mm	6,5 mm	4 mm	15.07.120
60 mm	13 mm	21 mm	47 mm	9 mm	7 mm	32 mm	12 mm	6 mm	7,5 mm	5 mm	15.07.121
70 mm	16 mm	26 mm	55 mm	11 mm	8 mm	34 mm	16 mm	7 mm	8 mm	5 mm	15.07.122
95 mm	19 mm	32 mm	75 mm	13,5 mm	10 mm	51,5 mm	17 mm	10 mm	10 mm	6 mm	15.07.123



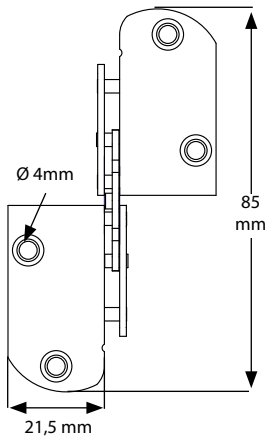
HINGES

ELU TABLE HINGE 180°



Material: Steel, Yellow Zinc Plated (YZP)
 Over all Size: 85 mm x 46 mm

Panel Size X	Item No.	Panel Size X	Item No.
16 mm	# 15.80.110	18 mm	# 15.80.120
22 mm	# 15.80.140	25 mm	# 15.80.155
30 mm	# 15.80.170		



Spacer For Panel Thickness Reduction = SFPTR*

SFPTR*	Item No.	SFPTR*	Item No.
1 mm	# 15.80.000	2 mm	# 15.80.001

The Spacer gives you the possibility to operate with only one hinge size even though you use different panel thicknesses in your production.

Example given: Take a Hinge for 18 mm panel thicknesses and add a 2 mm spacer. Now you can use the hinge for 16 mm panel thickness.

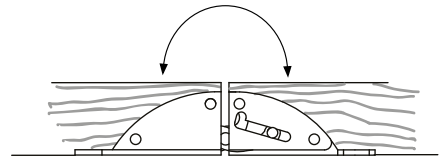
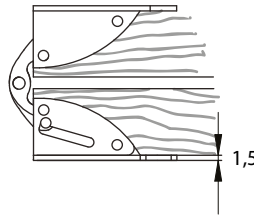
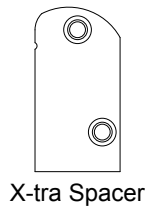
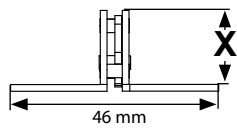
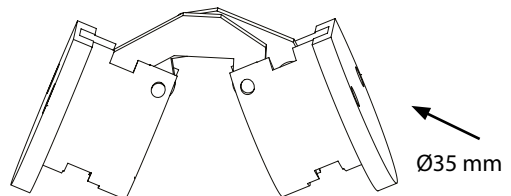
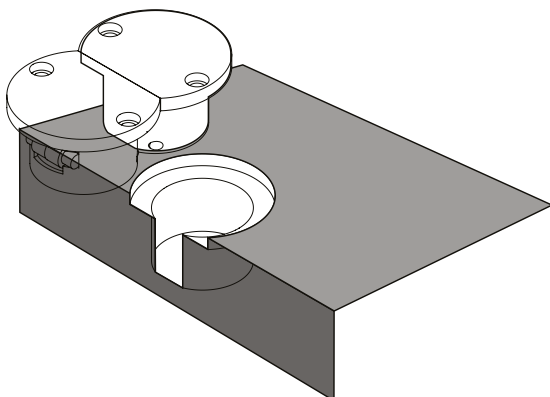
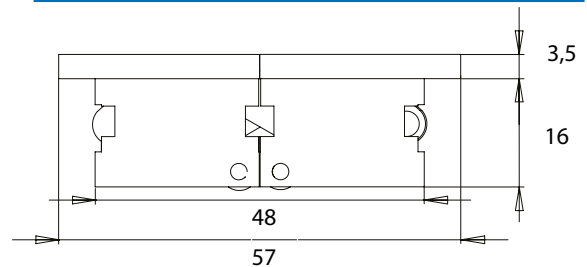
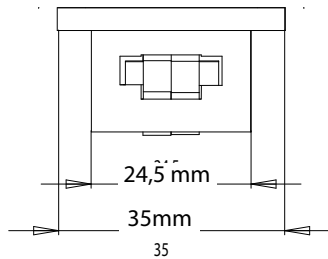


TABLE FLAP HINGE - f/ 22 mm PANEL - 180°

Material:
 Body: Nylon
 Linkage: Zamak
 Bore Size: Ø 35 mm and Ø 25 mm
 Hole Depth: 19 mm

Finish

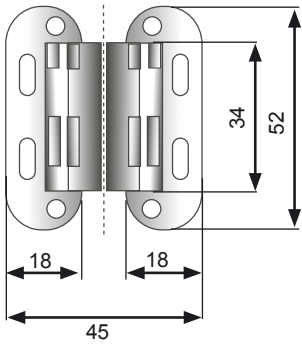
Body:	Linkage:	Item No.
Beige	Yellow Zinc	# 15.80.200
Black	Black Zinc	# 15.80.201



HINGES

- high quality furniture fittings

SEPA HINGE 180°



Material: Zamak
 Panel thickness: Min. 26 mm
 Size: 52 x 18 x 2 mm
 Item No. # 15.04.076

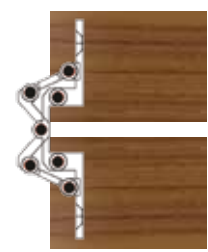
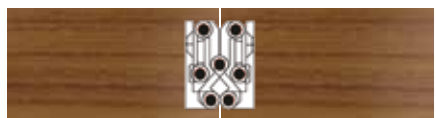
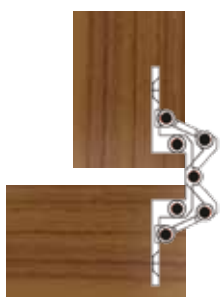
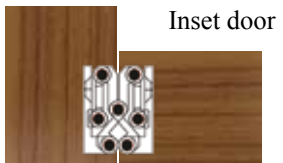
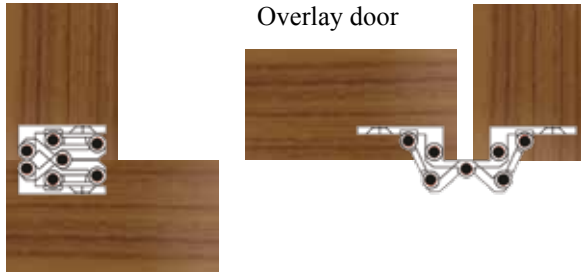
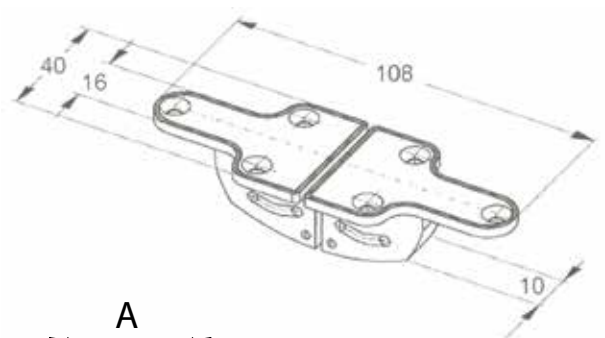


TABLE FLAP HINGE "ZAMAK"

Material: Body: Zamak, Yellow Zinc Plated
 Linkage: Steel, Yellow Zinc Plated
 Over all size: 108 x 40 x 3 mm
 Panel size: 20 mm # 15.80.175
 Panel size: 27 mm # 15.80.180

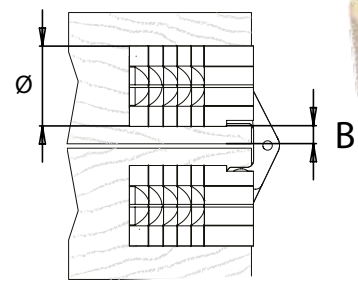
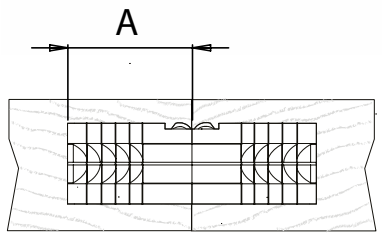


BRASS CYLINDER HINGE w/ SS PIN & SCREWS

Material: Body and Linkage: Brass Natural
 Pin and Screws: Stainless Steel (SS)

Sizes	Item No	A*	B*
Ø 10 mm	# 15.07.345	11,0 mm	2,0 mm
Ø 12 mm	# 15.07.346	13,5 mm	2,2 mm
Ø 14 mm	# 15.07.347	15,5 mm	3,0 mm
Ø 16 mm	# 15.07.348	16,5 mm	3,0 mm
Ø 18 mm	# 15.07.349	17,5 mm	3,0 mm
Ø 24 mm	# 15.07.350	25,0 mm	4,5 mm

* See illustration A and B for measurement





- high quality furniture fittings

SISO A/S

Mileparken 11 Phone: (+45) 45 830 900
DK - 2740 Skovlunde (Copenhagen) Fax: (+45) 45 830 444
Denmark E-mail: siso@siso.dk Web: www.siso.dk