

SISO HINGES



- high quality furniture fittings



The technical descriptions and dimensions in this catalogue, also those with the photographs and drawings, are not binding. We reserve the right to make design improvements.

We bear no liability for any misprints or other errors that might occur in the production of the catalogue.

SISO A/S tager forbehold for trykfejl samt ændringer i produktets specifikationer.

Für Druckfehler und Irrtümer ist jede Haftung ausgeschlossen. Produktänderungen behalten wir uns vor.



- high quality furniture fittings

SISIO A/S
MILEPARKEN 11
DK - 2740 SKOVLUNDE
(COPENHAGEN)
DENMARK
PHONE: (+45) 45 830 900
FAX: (+45) 45 830 444

DISTRIBUTOR

Cabinet hinges for wood

Cup hinge - 2-way	4-13
Cup hinge - soft close	14-17
Door dampers & cabinet hinge 135 degree	18-19
PTO (push to open) & touch latches	20-23
Hinges with visible axle	24-25
Butt & Flap hinges	26-28
Flush & pin hinges	29



Cabinet hinges for alu frames

Hinges - soft close	30-31
---------------------	-------



Cabinet hinges for glass

Cup hinges - 2-way	32-33
Cup hinges - soft close	34-37
Hinges for drilling	38-40
Hinges for "no drilling"	41-44
Hinges for uv-glue	45-46



Table hinges

Concealed hinges	47-51
Butler's tray hinges	52



Caravan hinges

53



DOOR HINGES (HEAVY DUTY)

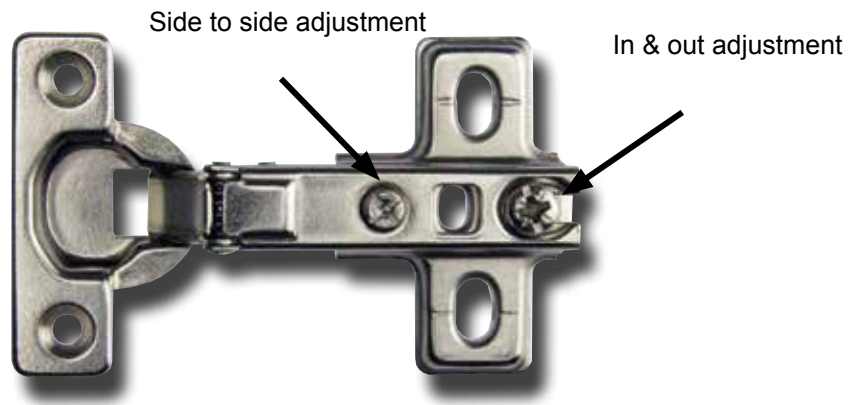
54-58



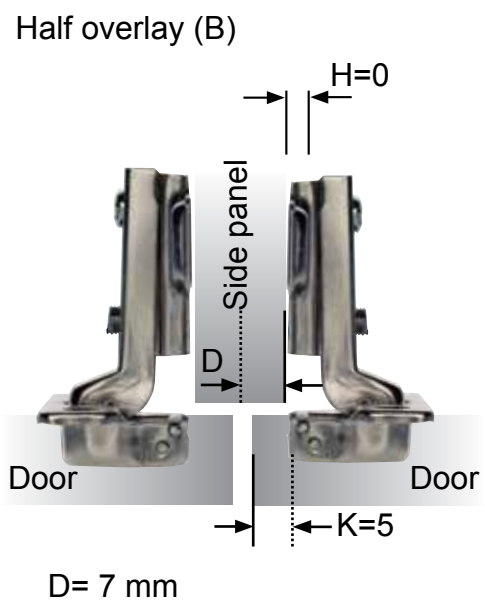
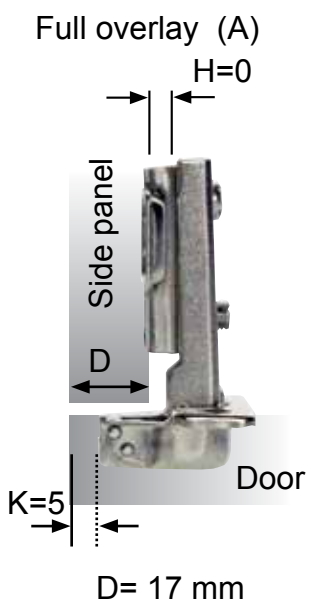
MINI HINGE Ø 26 MM -98°



**2-WAY
SLIDE-ON
FI 12-22 MM PANEL
Ø26 MM CUP**

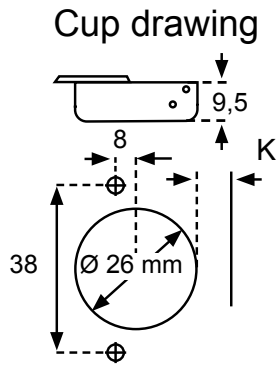


- H = height of mounting plate
- D = required door overlay
- K = drilling distance from the edge of door to the edge of the cup hole
- A = gap between door and sidepanel



MINI HINGE Ø 26 MM -98°

- high quality furniture fittings



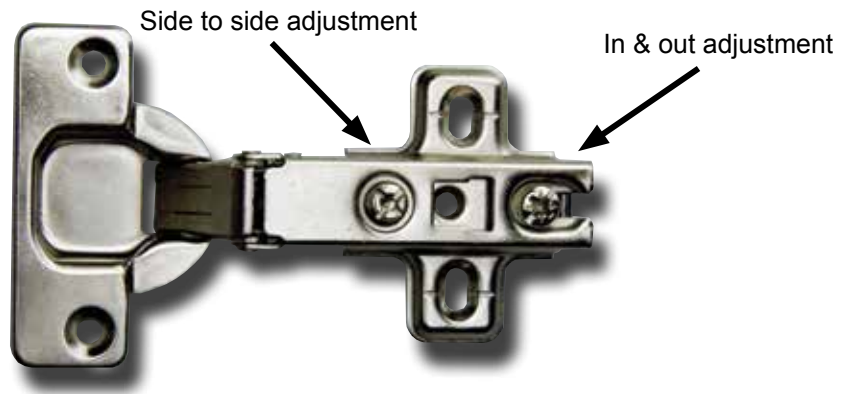
Opening angle:	98°
Depth of hinge cup:	9,5 mm
Diameter of hinge cup:	26 mm
Mounting of hinge: Screw on:	c.c.38 mm
Possible drilling distances on the door (K):	3-6 mm
Door thickness:	12-22 mm

Steel - Nickel Plated		Item No.	D: Overlay calculations	A: Gap calculations																							
<p>Full overlay (A)</p>	<p>$H=12+K-D$</p>	15.02.640 Incl. mounting plate H = 0 SISO logo in cup	<table border="1"> <tr> <th>D \ K</th> <th>3</th> <th>4</th> <th>5</th> <th>6</th> </tr> <tr> <th>0</th> <td>15</td> <td>16</td> <td>17</td> <td>18</td> </tr> <tr> <th>2</th> <td>13</td> <td>14</td> <td>15</td> <td>16</td> </tr> <tr> <th>4</th> <td>11</td> <td>12</td> <td>13</td> <td>14</td> </tr> </table>	D \ K	3	4	5	6	0	15	16	17	18	2	13	14	15	16	4	11	12	13	14				
D \ K	3	4	5	6																							
0	15	16	17	18																							
2	13	14	15	16																							
4	11	12	13	14																							
<p>Half overlay (B)</p>	<p>$H=2+K-D$</p>	15.02.641 Incl. mounting plate H = 0 SISO logo in cup	<table border="1"> <tr> <th>D \ K</th> <th>3</th> <th>4</th> <th>5</th> <th>6</th> </tr> <tr> <th>0</th> <td>5</td> <td>6</td> <td>7</td> <td>8</td> </tr> <tr> <th>2</th> <td>3</td> <td>4</td> <td>5</td> <td>6</td> </tr> <tr> <th>4</th> <td>1</td> <td>2</td> <td>3</td> <td>4</td> </tr> </table>	D \ K	3	4	5	6	0	5	6	7	8	2	3	4	5	6	4	1	2	3	4				
D \ K	3	4	5	6																							
0	5	6	7	8																							
2	3	4	5	6																							
4	1	2	3	4																							
<p>Inset (C)</p>	<p>$H=4+K+A$</p>	15.02.642 Incl. mounting plate H = 2 SISO logo in cup	<table border="1"> <tr> <th>A \ K</th> <th>3</th> <th>4</th> <th>5</th> <th>6</th> </tr> <tr> <th>0</th> <td>1</td> <td>0</td> <td>-1</td> <td>-2</td> </tr> <tr> <th>2</th> <td>3</td> <td>2</td> <td>1</td> <td>0</td> </tr> <tr> <th>4</th> <td>1</td> <td>2</td> <td>3</td> <td>4</td> </tr> </table>	A \ K	3	4	5	6	0	1	0	-1	-2	2	3	2	1	0	4	1	2	3	4				
A \ K	3	4	5	6																							
0	1	0	-1	-2																							
2	3	2	1	0																							
4	1	2	3	4																							
	<p>Cabinet edge</p>	H = 0/2 f/chipboard screws Clip-on	Delivered as standard mounting plate with all hinges. Chipboard screws to be ordered separately.																								
	<p>Cabinet edge</p>	15.03.726 H = 2 f/euro screws Clip-on	To be ordered separately if euro screw mounting is wanted. Pre-mounted euro screws included.																								

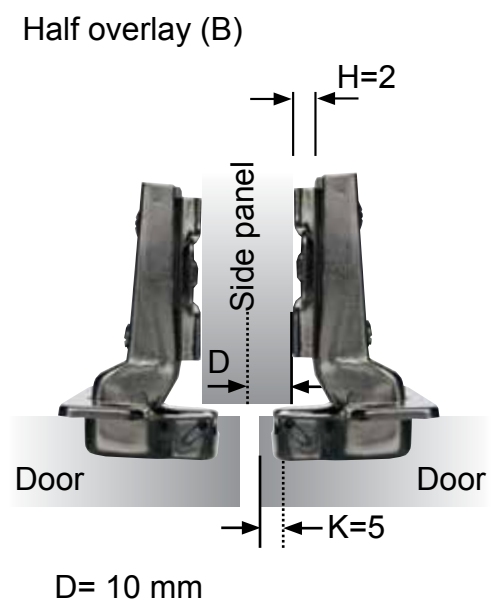
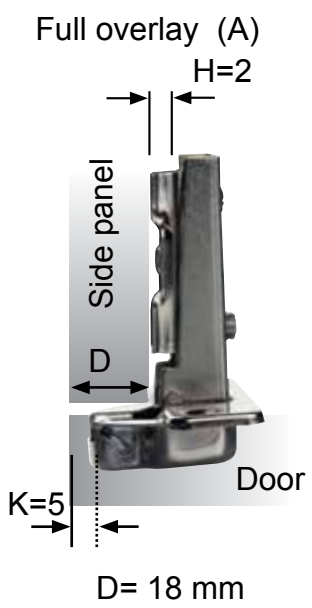
MAXI HINGE Ø35 MM - 110° - 2-WAY



**2-WAY
Slide-on
FI 14-24 MM PANEL
Ø35 MM CUP**



H = height of mounting plate
 D = required door overlay
 K = drilling distance from the edge of door to the edge of the cup hole
 A = gap between door and sidepanel

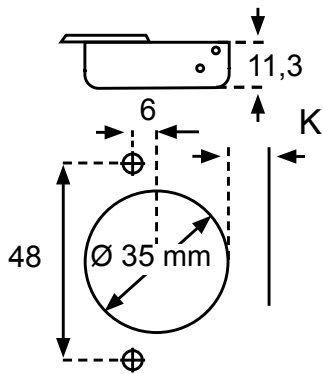


MAXI HINGE Ø35 MM - 110° - 2-WAY


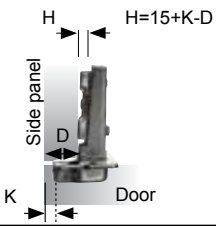
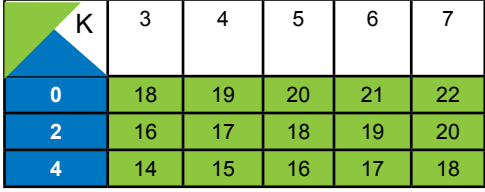

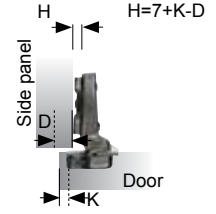
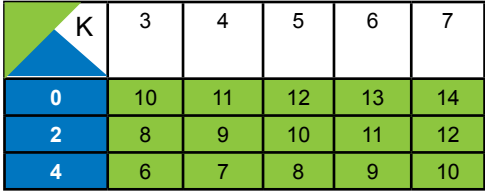

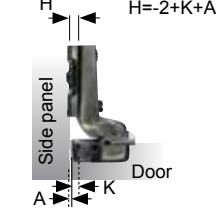
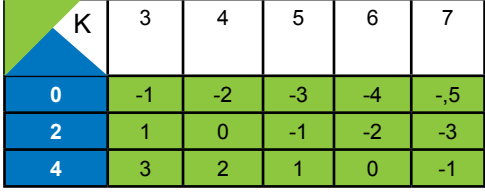

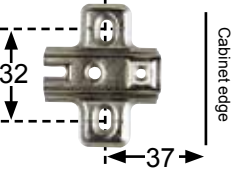

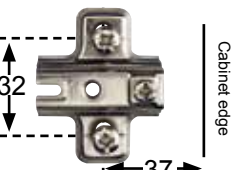
- high quality furniture fittings

SISO DENMARK

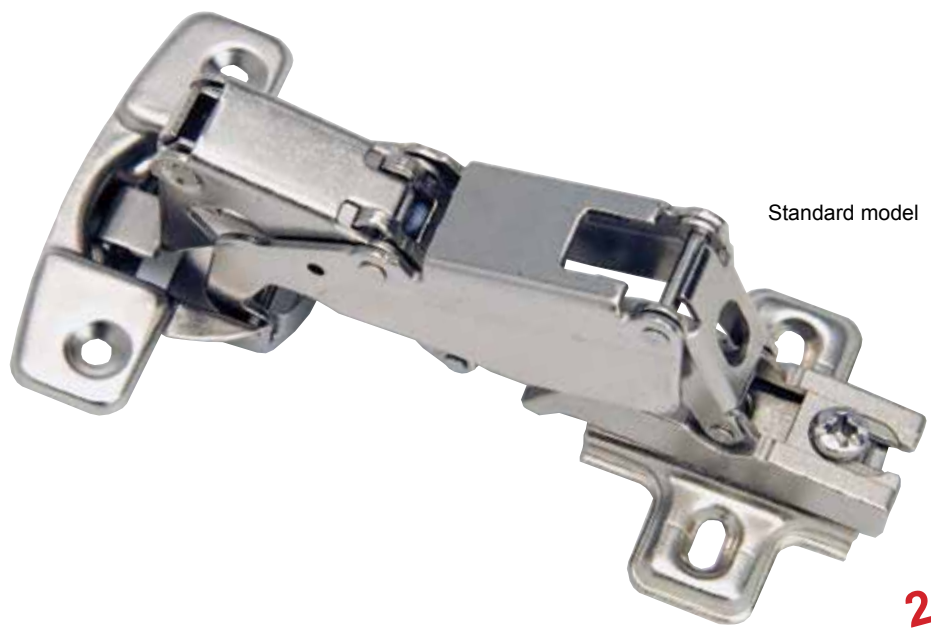
Cup drawing



Opening angle: 110°
 Depth of hinge cup: 11,3 mm
 Diameter of hinge cup: 35 mm
 Mounting of hinge: Screw on: c.c.48 mm
 Possible drilling distances on the door (K): 3-7 mm
 Door thickness: 14-24 mm

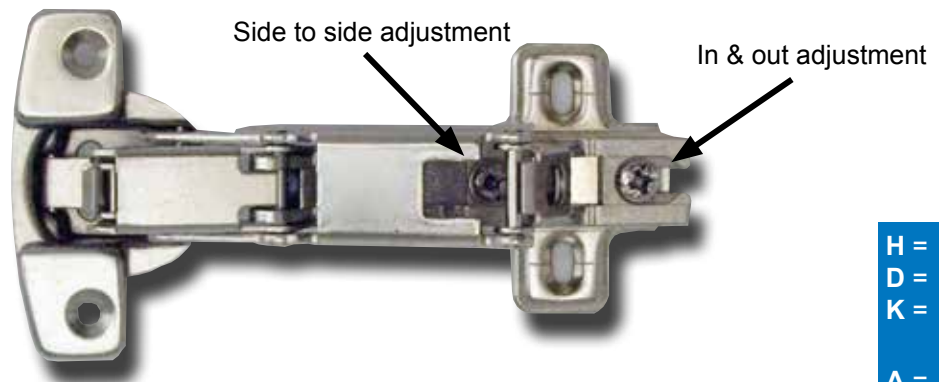
Steel - Nickel Plated		Item No.	D: Overlay calculations	A: Gap calculations				
Full overlay (A) 		15.03.670 Incl. mounting plate H = 2 SISO logo in cup		3	4	5	6	7
Half overlay (B) 		15.03.675 Incl. mounting plate H = 2 SISO logo in cup		3	4	5	6	7
Inset (C) 		15.03.680 Incl. mounting plate H = 4 SISO logo in cup		3	4	5	6	7
		H = 2/4 f/chipboard screws Slide-on	Delivered as standard mounting plate with all hinges. Chipboard screws to be ordered separately.					
		15.03.726 H = 2 f/euro screws Slide-on	To be ordered separately if euro screw mounting is wanted. Pre-mounted euro screws included.					

MAXI HINGE Ø35 MM - 165° - 2-WAY



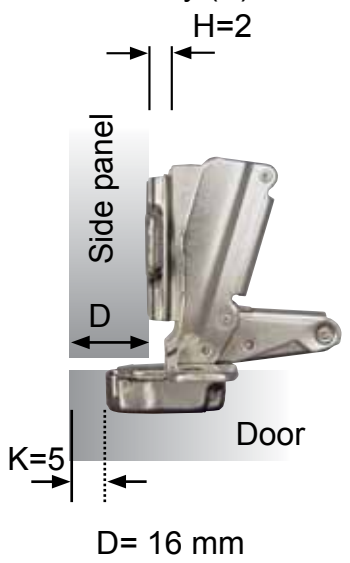
Standard model

**2-WAY
Slide-on
FI 14-24 MM PANEL
Ø 35 MM**

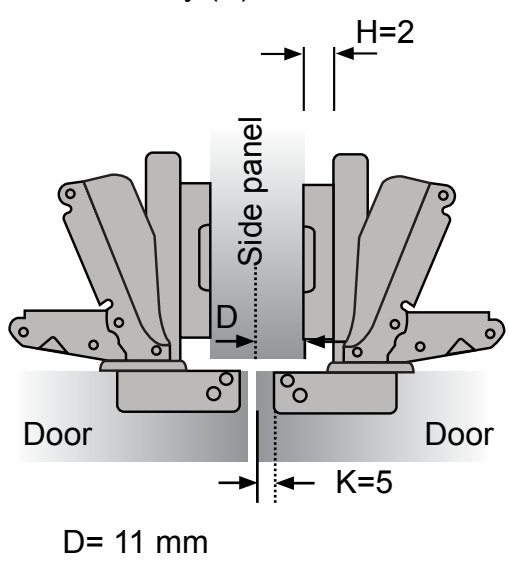


- H = height of mounting plate
- D = required door overlay
- K = drilling distance from the edge of door to the edge of the cup hole
- A = gap between door and sidepanel

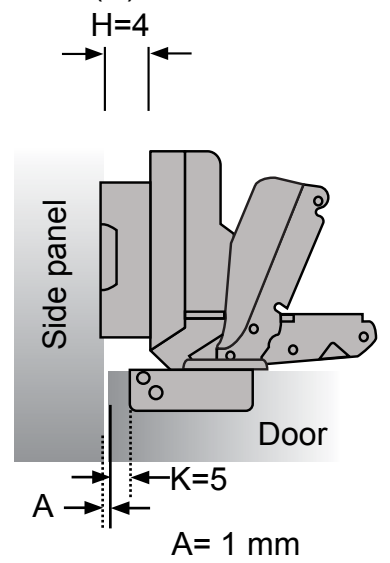
Full overlay (A)



Half overlay (B)



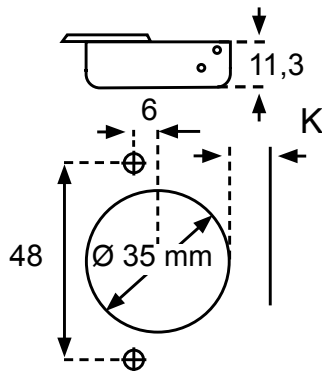
Inset (C)




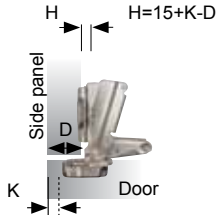
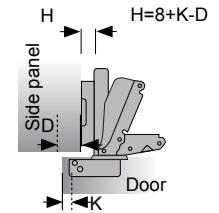
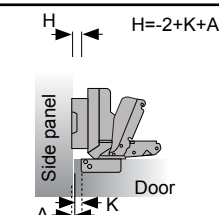

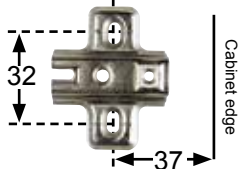

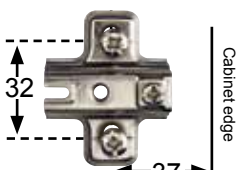
MAXI HINGE Ø35 MM - 165° - 2-WAY

- high quality furniture fittings

Cup drawing



Opening angle:	165°
Depth of hinge cup:	11,3 mm
Diameter of hinge cup:	35 mm
Mounting of hinge: Screw on:	c.c.48 mm
Possible drilling distances on the door (K):	3-7 mm
Door thickness:	14-24 mm

Steel - Nickel Plated		Item No.	D: Overlay calculations	A: Gap calculations																												
		15.03.681 Incl. mounting plate H = 2 SISO logo in cup	<table border="1"> <tr> <th>D \ K</th> <th>3</th> <th>4</th> <th>5</th> <th>6</th> <th>7</th> </tr> <tr> <th>0</th> <td>16</td> <td>17</td> <td>18</td> <td>19</td> <td>20</td> </tr> <tr> <th>2</th> <td>14</td> <td>15</td> <td>16</td> <td>17</td> <td>18</td> </tr> <tr> <th>4</th> <td>12</td> <td>13</td> <td>14</td> <td>15</td> <td>16</td> </tr> </table>	D \ K	3	4	5	6	7	0	16	17	18	19	20	2	14	15	16	17	18	4	12	13	14	15	16					
D \ K	3	4	5	6	7																											
0	16	17	18	19	20																											
2	14	15	16	17	18																											
4	12	13	14	15	16																											
NO STOCK ITEM		15.03.682 Incl. mounting plate H = 2 SISO logo in cup	<table border="1"> <tr> <th>D \ K</th> <th>3</th> <th>4</th> <th>5</th> <th>6</th> <th>7</th> </tr> <tr> <th>0</th> <td>11</td> <td>12</td> <td>13</td> <td>14</td> <td>15</td> </tr> <tr> <th>2</th> <td>9</td> <td>10</td> <td>11</td> <td>12</td> <td>13</td> </tr> <tr> <th>4</th> <td>7</td> <td>8</td> <td>9</td> <td>10</td> <td>11</td> </tr> </table>	D \ K	3	4	5	6	7	0	11	12	13	14	15	2	9	10	11	12	13	4	7	8	9	10	11					
D \ K	3	4	5	6	7																											
0	11	12	13	14	15																											
2	9	10	11	12	13																											
4	7	8	9	10	11																											
NO STOCK ITEM		15.03.683 Incl. mounting plate H = 4 SISO logo in cup	<table border="1"> <tr> <th>A \ K</th> <th>3</th> <th>4</th> <th>5</th> <th>6</th> <th>7</th> </tr> <tr> <th>0</th> <td>-1</td> <td>-2</td> <td>-3</td> <td>-4</td> <td>-,5</td> </tr> <tr> <th>2</th> <td>1</td> <td>0</td> <td>-1</td> <td>-2</td> <td>-3</td> </tr> <tr> <th>4</th> <td>3</td> <td>2</td> <td>1</td> <td>0</td> <td>-1</td> </tr> </table>	A \ K	3	4	5	6	7	0	-1	-2	-3	-4	-,5	2	1	0	-1	-2	-3	4	3	2	1	0	-1					
A \ K	3	4	5	6	7																											
0	-1	-2	-3	-4	-,5																											
2	1	0	-1	-2	-3																											
4	3	2	1	0	-1																											
		H = 2/4 f/chipboard screws Slide-on	Delivered as standard mounting plate with all hinges. Chipboard screws to be ordered separately.																													
		15.03.726 H = 2 f/euro screws Slide-on	To be ordered separately if euro screw mounting is wanted. Pre-mounted euro screws included.																													

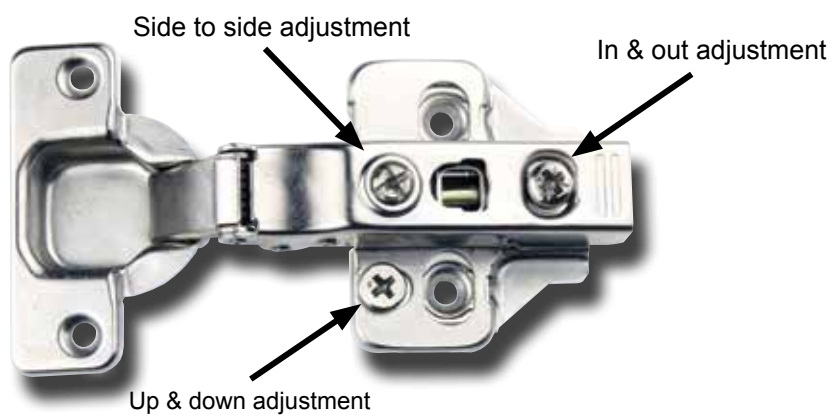
MAXI HINGE Ø 35 MM -100°

Standard model



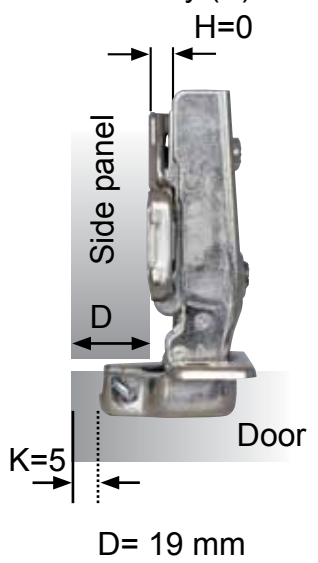
**2-WAY
CLIP-ON
F/ 14-24 MM PANEL
Ø 35 MM**

Hinge w/mounting plate f/easy up & down adjustment (optional)

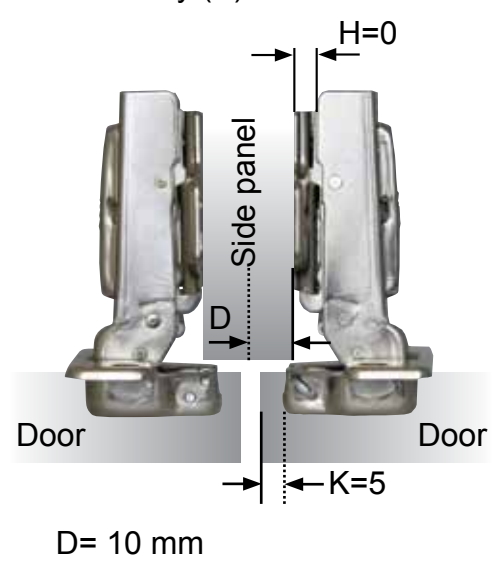


H = height of mounting plate
D = required door overlay
K = drilling distance from the edge of door to the edge of the cup hole
A = gap between door and sidepanel

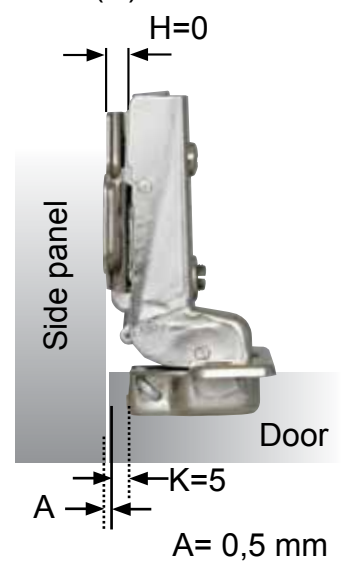
Full overlay (A)



Half overlay (B)



Inset (C)

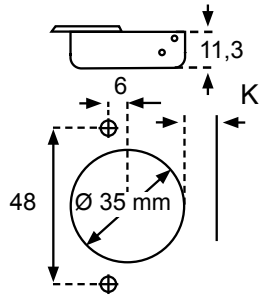


MAXI HINGE Ø 35 MM -100°

- high quality furniture fittings



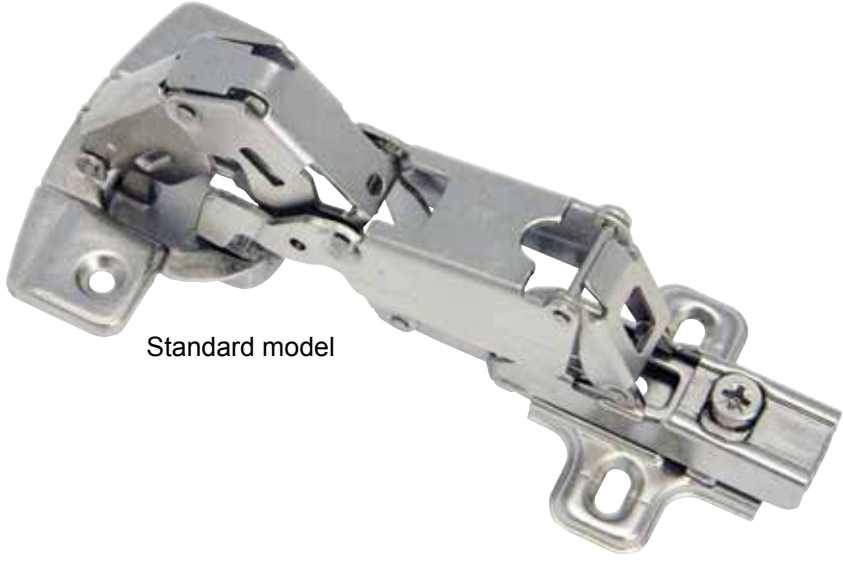
Cup drawing



Opening angle:	100°
Depth of hinge cup:	11,3 mm
Diameter of hinge cup:	35 mm
Mounting of hinge: Screw on:	c.c.48 mm
Possible drilling distances on the door (K):	3-7 mm
Door thickness:	14- 24 mm.

Steel - Nickel Plated		Item No.	D: Overlay calculations	A: Gap calculations																												
Full overlay (A) 		15.03.735 Incl. SISO name plate + mounting plate H = 0	<table border="1"> <tr> <th>D \ K</th> <th>3</th> <th>4</th> <th>5</th> <th>6</th> <th>7</th> </tr> <tr> <th>0</th> <td>17</td> <td>18</td> <td>19</td> <td>20</td> <td>21</td> </tr> <tr> <th>2</th> <td>15</td> <td>16</td> <td>17</td> <td>18</td> <td>19</td> </tr> <tr> <th>4</th> <td>13</td> <td>14</td> <td>15</td> <td>16</td> <td>17</td> </tr> </table>	D \ K	3	4	5	6	7	0	17	18	19	20	21	2	15	16	17	18	19	4	13	14	15	16	17					
D \ K	3	4	5	6	7																											
0	17	18	19	20	21																											
2	15	16	17	18	19																											
4	13	14	15	16	17																											
Half overlay (B) 		15.03.736 Incl. SISO name plate + mounting plate H = 0	<table border="1"> <tr> <th>D \ K</th> <th>3</th> <th>4</th> <th>5</th> <th>6</th> <th>7</th> </tr> <tr> <th>0</th> <td>8</td> <td>9</td> <td>10</td> <td>11</td> <td>12</td> </tr> <tr> <th>2</th> <td>6</td> <td>7</td> <td>8</td> <td>9</td> <td>10</td> </tr> <tr> <th>4</th> <td>4</td> <td>5</td> <td>6</td> <td>7</td> <td>8</td> </tr> </table>	D \ K	3	4	5	6	7	0	8	9	10	11	12	2	6	7	8	9	10	4	4	5	6	7	8					
D \ K	3	4	5	6	7																											
0	8	9	10	11	12																											
2	6	7	8	9	10																											
4	4	5	6	7	8																											
Inset (C) 		15.03.737 Incl. SISO name plate + mounting plate H = 0	<table border="1"> <tr> <th>A \ K</th> <th>3</th> <th>4</th> <th>5</th> <th>6</th> <th>7</th> </tr> <tr> <th>0</th> <td>1,5</td> <td>0,5</td> <td>0,5</td> <td>-1,5</td> <td>-2,5</td> </tr> <tr> <th>2</th> <td>3,5</td> <td>2,5</td> <td>1,5</td> <td>0,5</td> <td>-0,5</td> </tr> <tr> <th>4</th> <td>5,5</td> <td>4,5</td> <td>3,5</td> <td>2,5</td> <td>1,5</td> </tr> </table>	A \ K	3	4	5	6	7	0	1,5	0,5	0,5	-1,5	-2,5	2	3,5	2,5	1,5	0,5	-0,5	4	5,5	4,5	3,5	2,5	1,5					
A \ K	3	4	5	6	7																											
0	1,5	0,5	0,5	-1,5	-2,5																											
2	3,5	2,5	1,5	0,5	-0,5																											
4	5,5	4,5	3,5	2,5	1,5																											
		H = 0 f/chipboard screws Clip-on	Delivered as standard mounting plate with all hinges. Chipboard screws to be ordered separately.																													
		15.03.728-1 H = 0 f/euro screws Clip-on	To be ordered separately if easy up & down adjustment is wanted. Pre-mounted euro screws included.																													
		15.03.730	Cover plate for screws on hinge cup																													

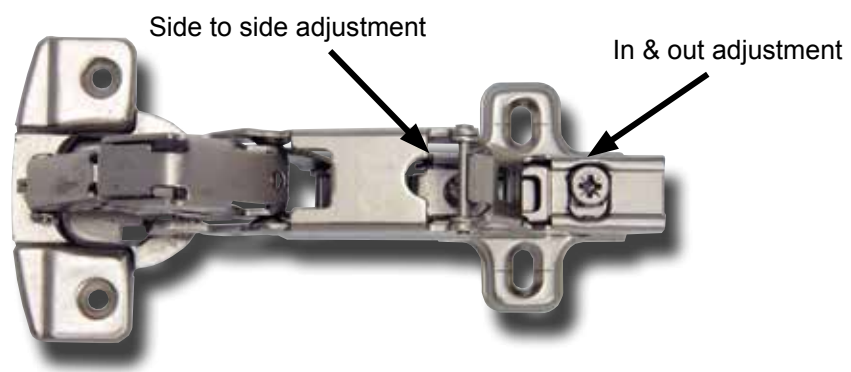
MAXI HINGE Ø 35 MM -165°



Standard model

**2-WAY
CLIP-ON
F/ 14-24 MM PANEL
Ø 35 MM**

Hinge w/mounting plate f/easy up & down adjustment (optional)

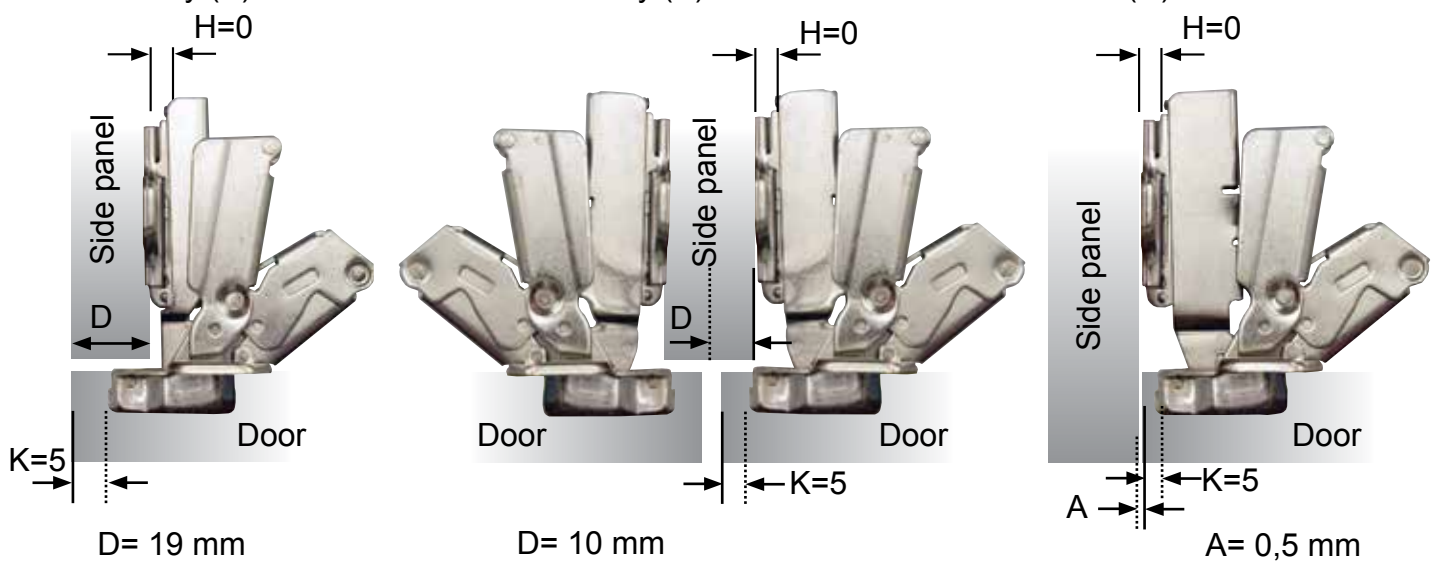


- H = height of mounting plate
- D = required door overlay
- K = drilling distance from the edge of door to the edge of the cup hole
- A = gap between door and sidepanel

Full overlay (A)

Half overlay (B)

Inset (C)

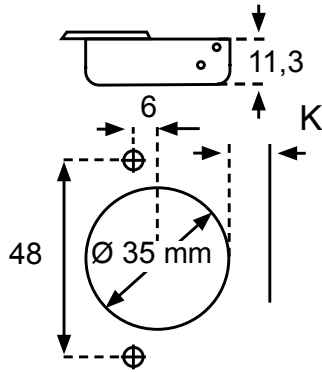


MAXI HINGE Ø 35 MM -165°


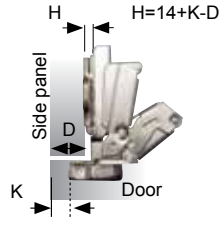

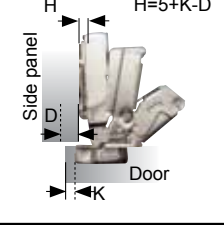

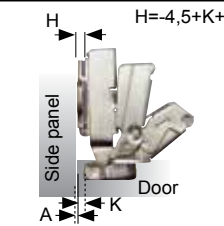

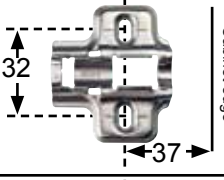


- high quality furniture fittings



Cup drawing



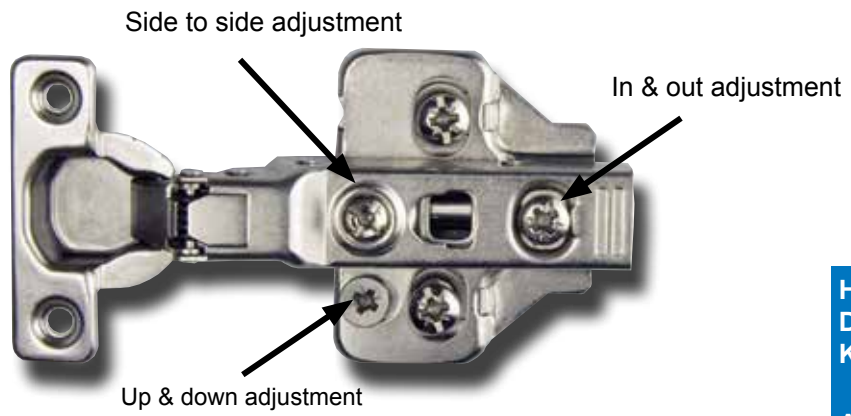
Opening angle:	165°
Depth of hinge cup:	11,3 mm
Diameter of hinge cup:	35 mm
Mounting of hinge: Screw on:	c.c.48 mm
Possible drilling distances on the door (K):	3-8 mm
Door thickness:	14- 26 mm.

Steel - Nickel Plated		Item No.	D: Overlay calculations	A: Gap calculations																												
Full overlay (A) 		15.03.740 Incl. mounting plate H = 0	<table border="1"> <tr> <th>D \ K</th> <th>3</th> <th>4</th> <th>5</th> <th>6</th> <th>7</th> </tr> <tr> <th>0</th> <td>17</td> <td>18</td> <td>19</td> <td>20</td> <td>21</td> </tr> <tr> <th>2</th> <td>15</td> <td>16</td> <td>17</td> <td>18</td> <td>19</td> </tr> <tr> <th>4</th> <td>13</td> <td>14</td> <td>15</td> <td>16</td> <td>17</td> </tr> </table>	D \ K	3	4	5	6	7	0	17	18	19	20	21	2	15	16	17	18	19	4	13	14	15	16	17					
D \ K	3	4	5	6	7																											
0	17	18	19	20	21																											
2	15	16	17	18	19																											
4	13	14	15	16	17																											
Half overlay (B)  <p style="color: red; font-weight: bold;">NO STOCK ITEM</p>		15.03.741 Incl. mounting plate H = 0	<table border="1"> <tr> <th>D \ K</th> <th>3</th> <th>4</th> <th>5</th> <th>6</th> <th>7</th> </tr> <tr> <th>0</th> <td>8</td> <td>9</td> <td>10</td> <td>11</td> <td>12</td> </tr> <tr> <th>2</th> <td>6</td> <td>7</td> <td>8</td> <td>9</td> <td>10</td> </tr> <tr> <th>4</th> <td>4</td> <td>5</td> <td>6</td> <td>7</td> <td>8</td> </tr> </table>	D \ K	3	4	5	6	7	0	8	9	10	11	12	2	6	7	8	9	10	4	4	5	6	7	8					
D \ K	3	4	5	6	7																											
0	8	9	10	11	12																											
2	6	7	8	9	10																											
4	4	5	6	7	8																											
Inset (C)  <p style="color: red; font-weight: bold;">NO STOCK ITEM</p>		15.03.742 Incl. mounting plate H = 4	<table border="1"> <tr> <th>A \ K</th> <th>3</th> <th>4</th> <th>5</th> <th>6</th> <th>7</th> </tr> <tr> <th>0</th> <td>1,5</td> <td>0,5</td> <td>0,5</td> <td>-1,5</td> <td>-2,5</td> </tr> <tr> <th>2</th> <td>3,5</td> <td>2,5</td> <td>1,5</td> <td>0,5</td> <td>-0,5</td> </tr> <tr> <th>4</th> <td>5,5</td> <td>4,5</td> <td>3,5</td> <td>2,5</td> <td>1,5</td> </tr> </table>	A \ K	3	4	5	6	7	0	1,5	0,5	0,5	-1,5	-2,5	2	3,5	2,5	1,5	0,5	-0,5	4	5,5	4,5	3,5	2,5	1,5					
A \ K	3	4	5	6	7																											
0	1,5	0,5	0,5	-1,5	-2,5																											
2	3,5	2,5	1,5	0,5	-0,5																											
4	5,5	4,5	3,5	2,5	1,5																											
		H = 0 f/chipboard screws Clip-on	Delivered as standard mounting plate with all hinges. Chipboard screws to be ordered separately.																													
		15.03.728-1 H = 0 f/euro screws Clip-on	To be ordered separately if easy up & down adjustment is wanted. Pre-mounted euro screws included.																													

SOFT CLOSE MINI HINGE Ø 26 MM -100°



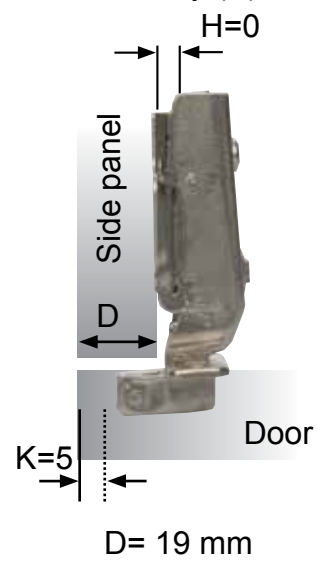
Hinge w/mounting plate f/easy up & down adjustment (optional)



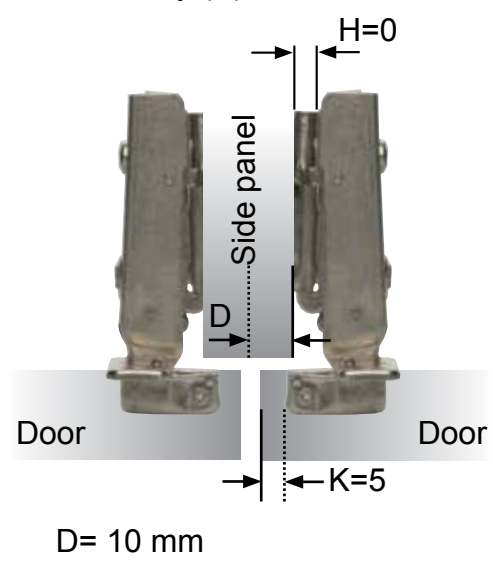
**SOFT CLOSE
CLIP-ON
FI 12-22 MM PANEL
Ø 26 MM**

- H =** height of mounting plate
- D =** required door overlay
- K =** drilling distance from the edge of door to the edge of the cup hole
- A =** gap between door and sidepanel

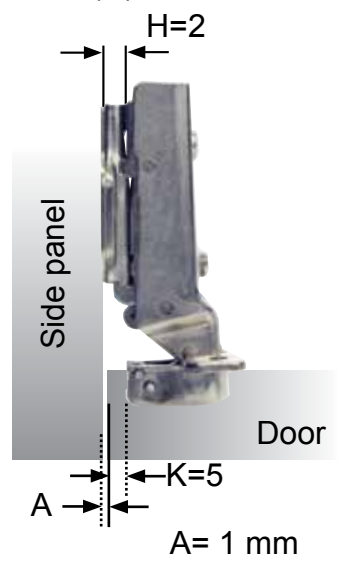
Full overlay (A)



Half overlay (B)

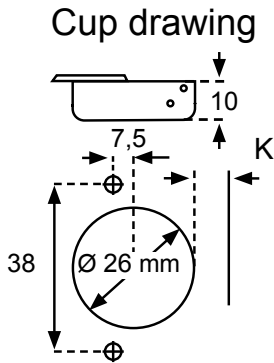


Inset (C)



SOFT CLOSE MINI HINGE Ø 26 MM -100°

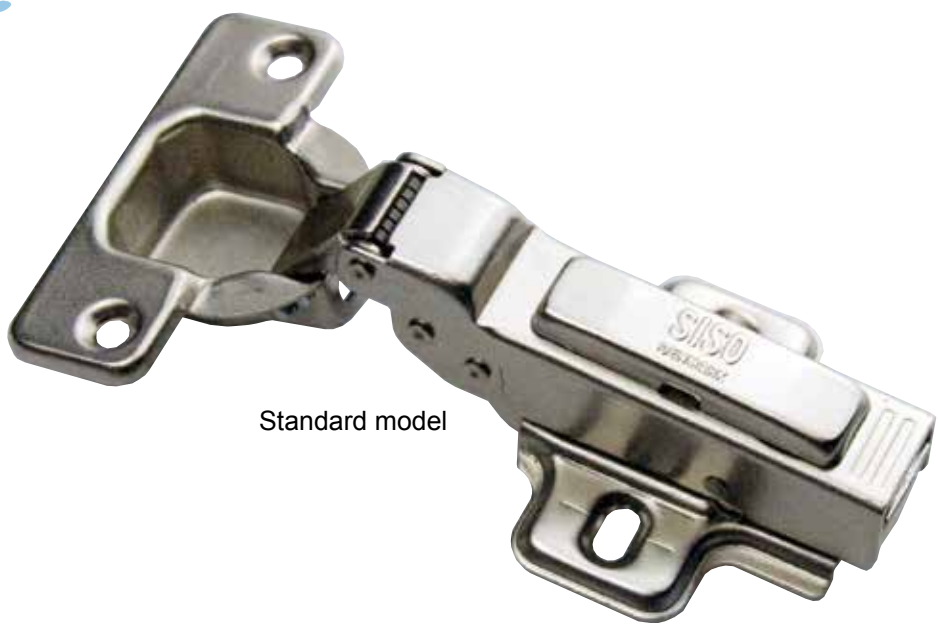
- high quality furniture fittings



Opening angle:	100°
Depth of hinge cup:	10 mm
Diameter of hinge cup:	26 mm
Mounting of hinge: Screw on:	c.c.38 mm
Possible drilling distances on the door (K):	3-5 mm
Door thickness:	12-22 mm

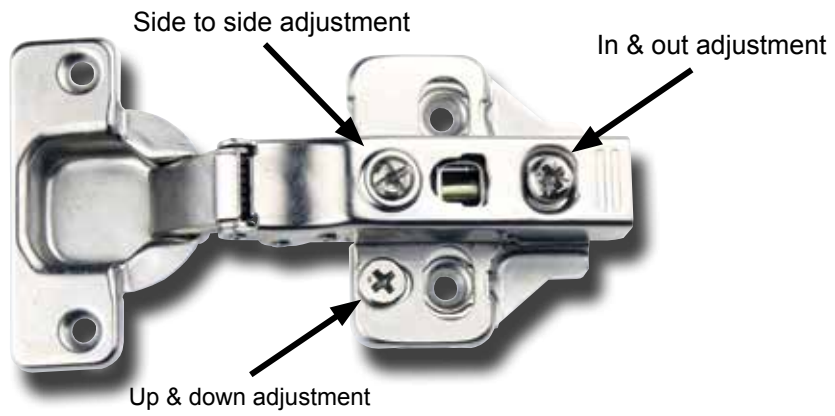
Steel - Nickel Plated		Item No.	D: Overlay calculations	A: Gap calculations																
Full overlay (A) 		15.02.650 Incl. SISO name plate + mounting plate H = 0	<table border="1"> <tr> <th>D \ K</th> <th>3</th> <th>4</th> <th>5</th> </tr> <tr> <th>0</th> <td>15,5</td> <td>16,5</td> <td>17,5</td> </tr> <tr> <th>2</th> <td>13,5</td> <td>14,5</td> <td>15,5</td> </tr> <tr> <th>4</th> <td>11,5</td> <td>12,5</td> <td>13,5</td> </tr> </table>	D \ K	3	4	5	0	15,5	16,5	17,5	2	13,5	14,5	15,5	4	11,5	12,5	13,5	
D \ K	3	4	5																	
0	15,5	16,5	17,5																	
2	13,5	14,5	15,5																	
4	11,5	12,5	13,5																	
Half overlay (B) 		15.02.655 Incl. SISO name plate + mounting plate H = 0	<table border="1"> <tr> <th>D \ K</th> <th>3</th> <th>4</th> <th>5</th> </tr> <tr> <th>0</th> <td>6,5</td> <td>7,5</td> <td>8,7</td> </tr> <tr> <th>2</th> <td>4,5</td> <td>5,5</td> <td>6,5</td> </tr> <tr> <th>4</th> <td>2,5</td> <td>3,5</td> <td>4,5</td> </tr> </table>	D \ K	3	4	5	0	6,5	7,5	8,7	2	4,5	5,5	6,5	4	2,5	3,5	4,5	
D \ K	3	4	5																	
0	6,5	7,5	8,7																	
2	4,5	5,5	6,5																	
4	2,5	3,5	4,5																	
Inset (C) 		15.02.660 Incl. SISO name plate + mounting plate H = 2	<table border="1"> <tr> <th>A \ K</th> <th>3</th> <th>4</th> <th>5</th> </tr> <tr> <th>0</th> <td>1</td> <td>0</td> <td>-1</td> </tr> <tr> <th>2</th> <td>3</td> <td>2</td> <td>1</td> </tr> </table>	A \ K	3	4	5	0	1	0	-1	2	3	2	1					
A \ K	3	4	5																	
0	1	0	-1																	
2	3	2	1																	
		H = 0/2 f/chipboard screws Clip-on	Delivered as standard mounting plate with all hinges. Chipboard screws to be ordered separately.																	
		15.03.728-0 H = 0 f/euro screws Clip-on	To be ordered separately if easy up & down adjustment is wanted. Pre-mounted euro screws included.																	

SOFT CLOSE MAXI HINGE Ø 35 MM -100°



Standard model

Hinge w/mounting plate f/easy up & down adjustment (optional)



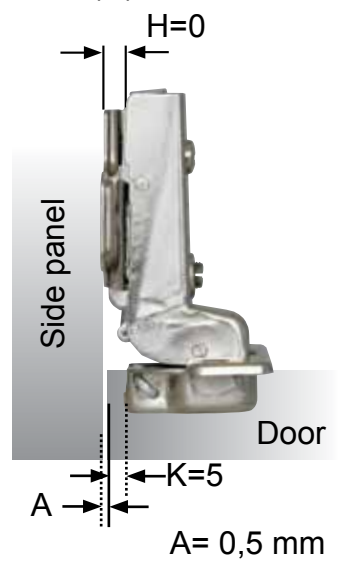
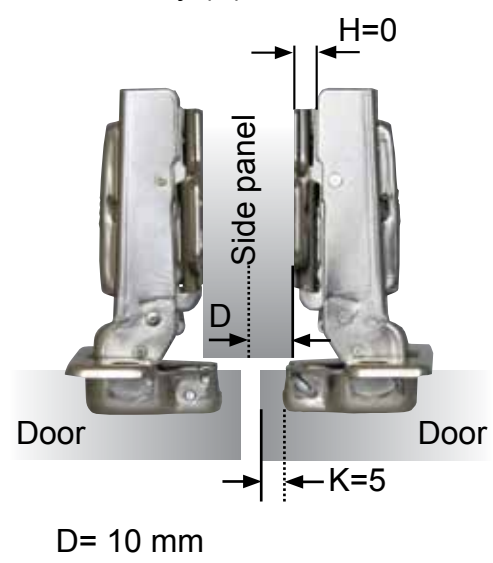
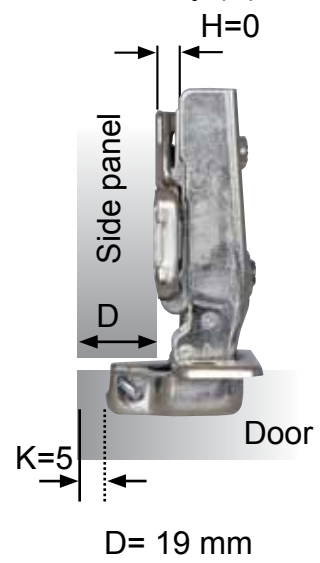
**SOFT CLOSE
CLIP-ON
FI 14-24 MM PANEL
Ø 35 MM**

- H =** height of mounting plate
- D =** required door overlay
- K =** drilling distance from the edge of door to the edge of the cup hole
- A =** gap between door and sidepanel

Full overlay (A)

Half overlay (B)

Inset (C)

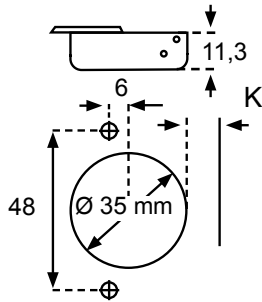


SOFT CLOSE MAXI HINGE Ø 35 MM -100°

- high quality furniture fittings


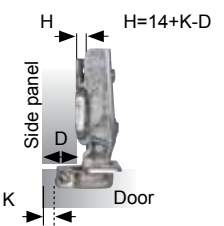

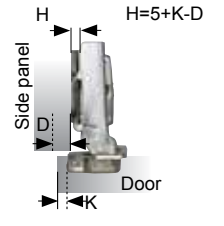

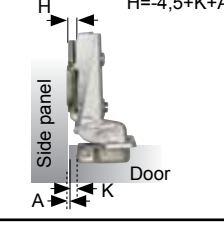

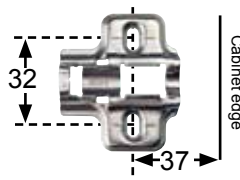

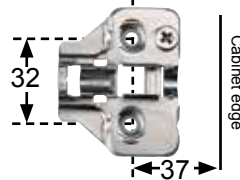



Cup drawing



Opening angle:	100°
Depth of hinge cup:	11,3 mm
Diameter of hinge cup:	35 mm
Mounting of hinge. Screw on:	c.c.48 mm
Possible drilling distances on the door (K):	3-7 mm
Door thickness:	14-24 mm



Steel - Nickel Plated or SS-304		Item No.	D: Overlay calculations	A: Gap calculations																												
Full overlay (A) 		Steel: 15.03.731 SS-304: 15.03.760 Incl. SISO name plate + mounting plate H = 0	<table border="1"> <tr> <th>D \ K</th> <th>3</th> <th>4</th> <th>5</th> <th>6</th> <th>7</th> </tr> <tr> <th>0</th> <td>17</td> <td>18</td> <td>19</td> <td>20</td> <td>21</td> </tr> <tr> <th>2</th> <td>15</td> <td>16</td> <td>17</td> <td>18</td> <td>19</td> </tr> <tr> <th>4</th> <td>13</td> <td>14</td> <td>15</td> <td>16</td> <td>17</td> </tr> </table>	D \ K	3	4	5	6	7	0	17	18	19	20	21	2	15	16	17	18	19	4	13	14	15	16	17					
D \ K	3	4	5	6	7																											
0	17	18	19	20	21																											
2	15	16	17	18	19																											
4	13	14	15	16	17																											
Half overlay (B) 		Steel: 15.03.732 SS-304: 15.03.765 Incl. SISO name plate + mounting plate H = 0	<table border="1"> <tr> <th>D \ K</th> <th>3</th> <th>4</th> <th>5</th> <th>6</th> <th>7</th> </tr> <tr> <th>0</th> <td>8</td> <td>9</td> <td>10</td> <td>11</td> <td>12</td> </tr> <tr> <th>2</th> <td>6</td> <td>7</td> <td>8</td> <td>9</td> <td>10</td> </tr> <tr> <th>4</th> <td>4</td> <td>5</td> <td>6</td> <td>7</td> <td>8</td> </tr> </table>	D \ K	3	4	5	6	7	0	8	9	10	11	12	2	6	7	8	9	10	4	4	5	6	7	8					
D \ K	3	4	5	6	7																											
0	8	9	10	11	12																											
2	6	7	8	9	10																											
4	4	5	6	7	8																											
Inset (C) 		Steel: 15.03.733 SS-304: 15.03.770 Incl. SISO name plate + mounting plate H = 0	<table border="1"> <tr> <th>A \ K</th> <th>3</th> <th>4</th> <th>5</th> <th>6</th> <th>7</th> </tr> <tr> <th>0</th> <td>1,5</td> <td>0,5</td> <td>0,5</td> <td>-1,5</td> <td>-2,5</td> </tr> <tr> <th>2</th> <td>3,5</td> <td>2,5</td> <td>1,5</td> <td>0,5</td> <td>-0,5</td> </tr> <tr> <th>4</th> <td>5,5</td> <td>4,5</td> <td>3,5</td> <td>2,5</td> <td>1,5</td> </tr> </table>	A \ K	3	4	5	6	7	0	1,5	0,5	0,5	-1,5	-2,5	2	3,5	2,5	1,5	0,5	-0,5	4	5,5	4,5	3,5	2,5	1,5					
A \ K	3	4	5	6	7																											
0	1,5	0,5	0,5	-1,5	-2,5																											
2	3,5	2,5	1,5	0,5	-0,5																											
4	5,5	4,5	3,5	2,5	1,5																											
		H = 0 f/chipboard screws Clip-on	Delivered as standard mounting plate with all hinges. Chipboard screws to be ordered separately.																													
		15.03.728-0 H = 0 f/euro screws Clip-on	To be ordered separately if easy up & down adjustment is wanted. Pre-mounted euro screws included.																													
		15.03.730	Cover plate for screws on hinge cup																													

DOOR DAMPERS

DOOR DAMPER "BLUES" FOR DRILLING

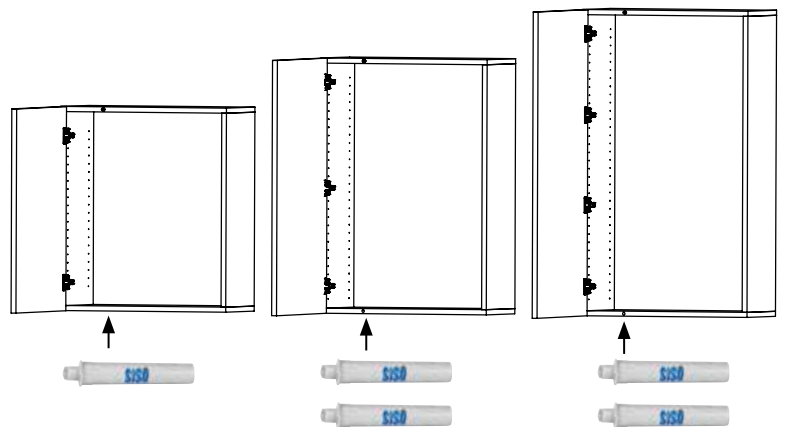
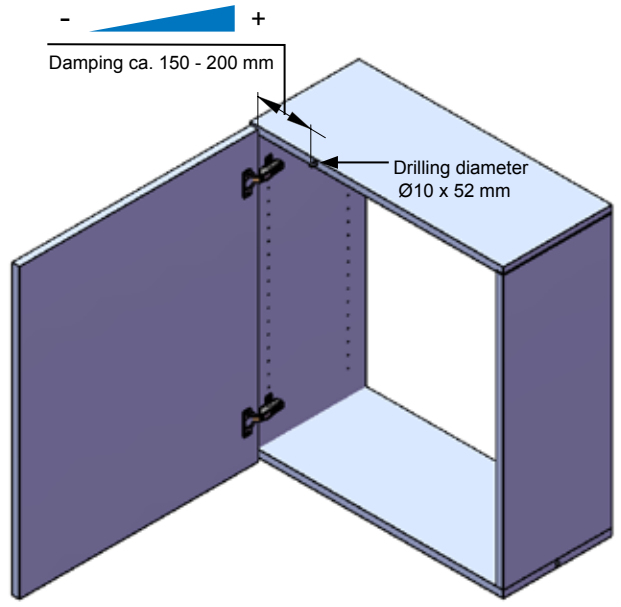
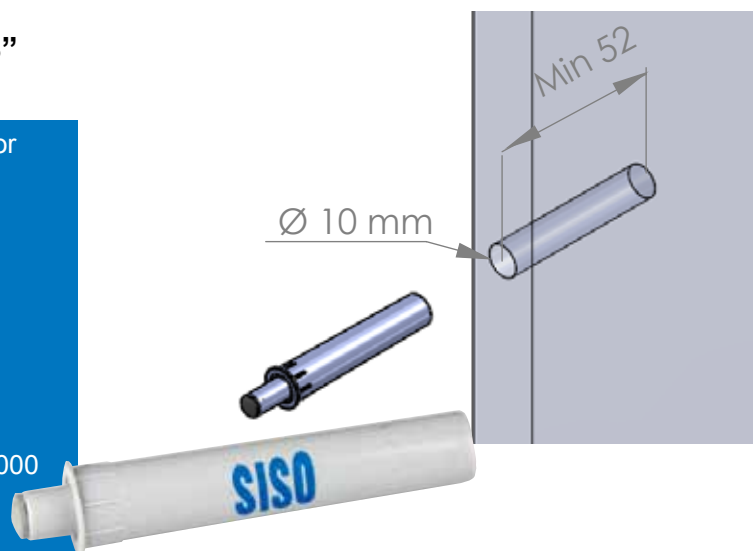
Application: Soft close damper for doors and drawers

Material: Grey ABS

Overall size: Ø 10 mm x 50 mm

Item No.: # 15.04.517

LGA tested in Germany. Passed 80.000 cycles



DOOR DAMPER BOX "BLUES" SCREW-ON

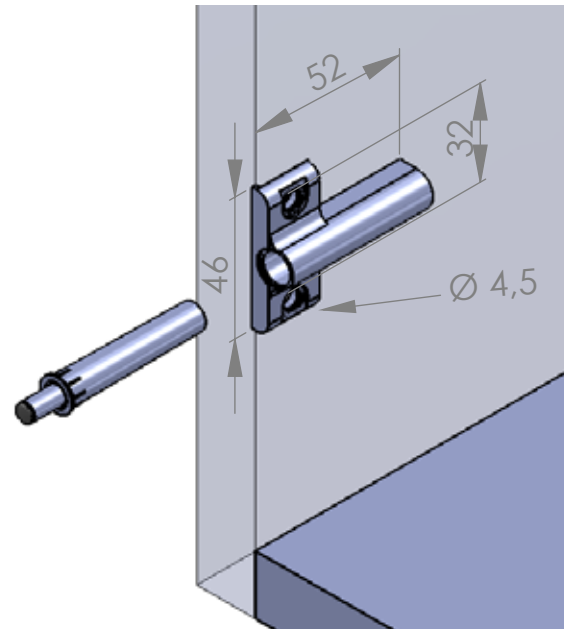
Application: Box for soft close damper

Material: Grey ABS

Overall size: 46 mm x 52 mm c.c. 32 mm

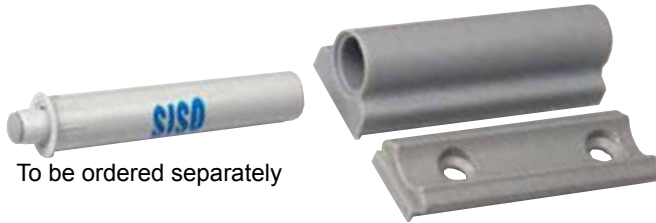
Item No.: # 15.04.516

Damper and screws to be ordered separately



DOOR DAMPER BOX "BLUES" & CABINET HINGE 135 DEGREE FOR CHAMFERED EDGES

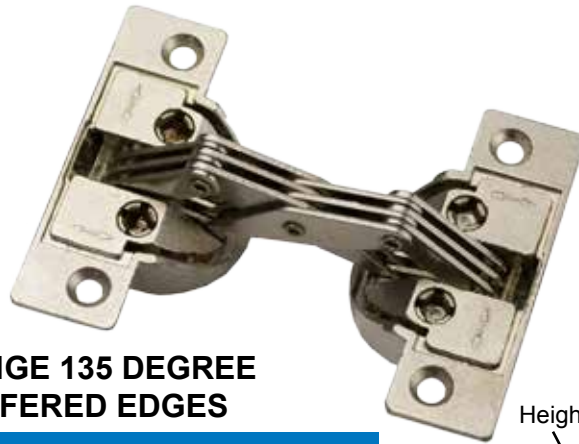
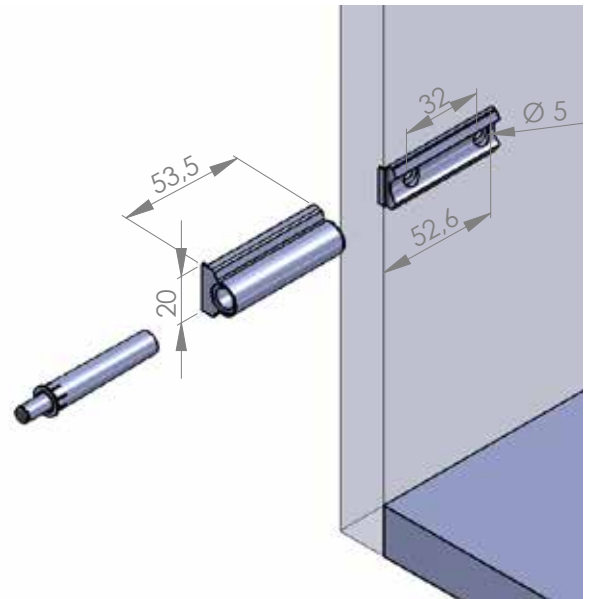
- high quality furniture fittings



To be ordered separately

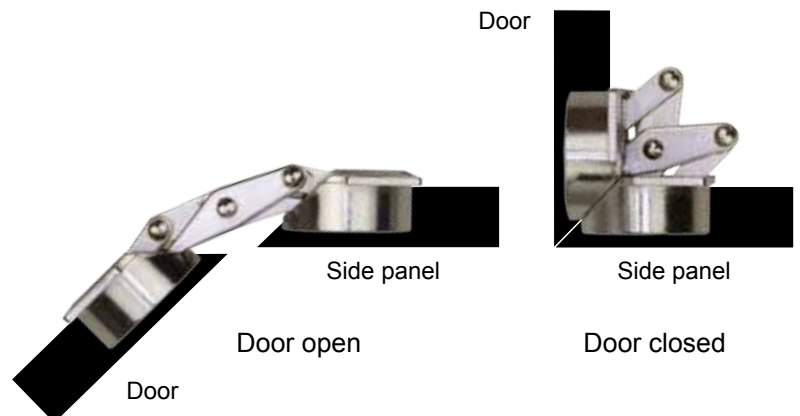
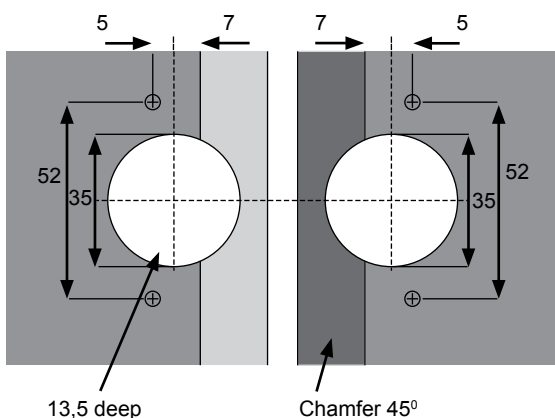
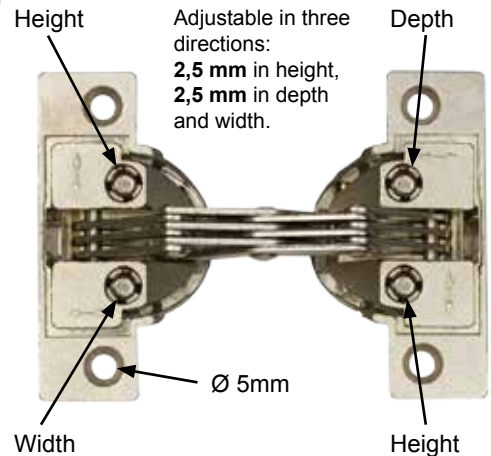
DOOR DAMPER BOX INVISIBLE "BLUES"

Application: Box for soft close damper
Material: Grey ABS
Overall size: 20 mm x 53,5 mm c.c. 32 mm
Item No.: # 15.04.515
 Damper and screws to be ordered separately

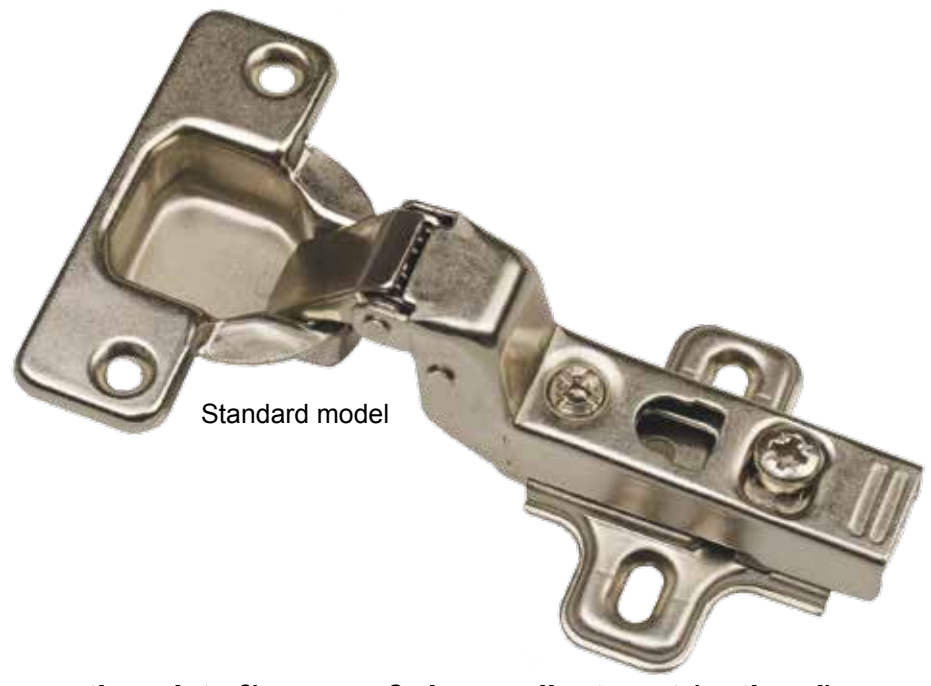


CABINET HINGE 135 DEGREE FOR CHAMFERED EDGES

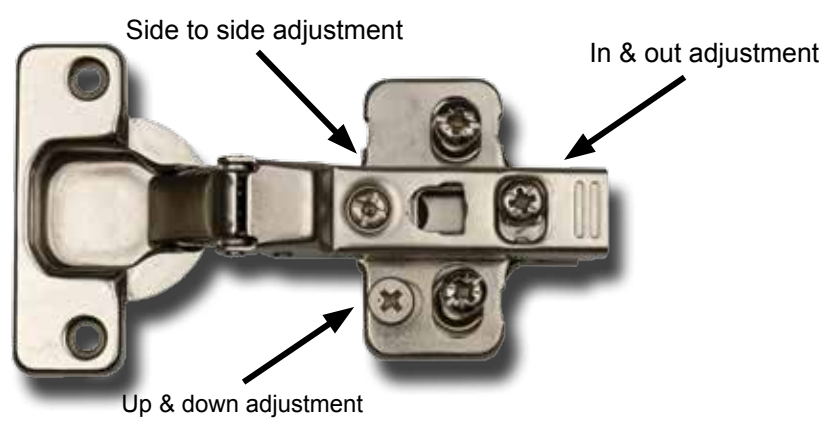
Application: 135 degree hinge for 45 degree edges. 3 dimensional adjustment
Material: Cup body - zamak – nickel plated
 Linkage – steel - nickel plated
Door thickness: 15 – 22 MM
Size: Ø 35 x 13,5 mm cup – c.c.: 52 mm
Item No.: 15.04.020



MAXI HINGE PTO Ø 35 MM -100°



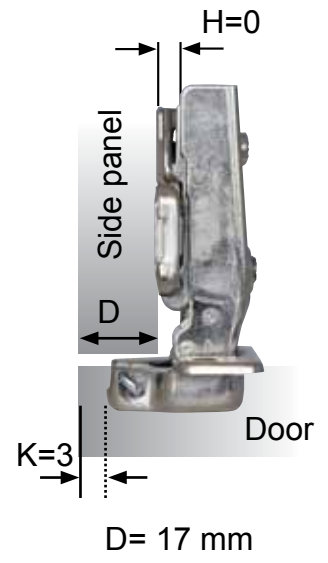
Hinge w/mounting plate f/easy up & down adjustment (optional)



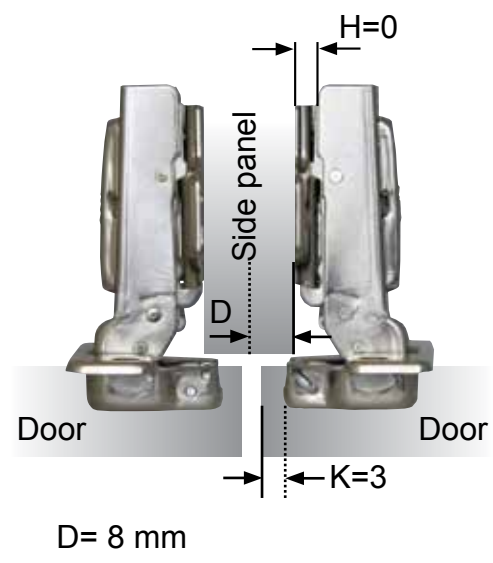
**PUSH TO OPEN
CLIP-ON
F/ 14-24 MM PANEL
Ø 35 MM**

- H = height of mounting plate
- D = required door overlay
- K = drilling distance from the edge of door to the edge of the cup hole
- A = gap between door and sidepanel

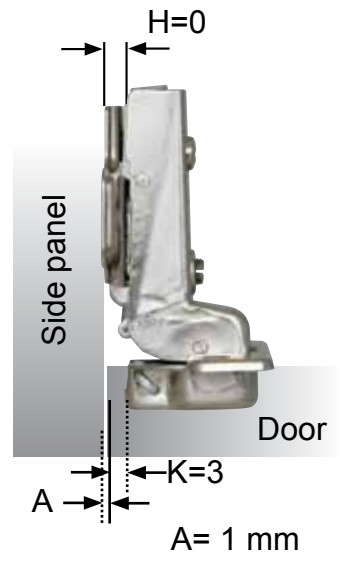
Full overlay (A)



Half overlay (B)



Inset (C)

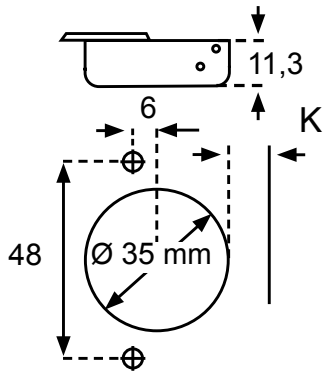


MAXI HINGE PTO Ø 35 MM -100°

- high quality furniture fittings


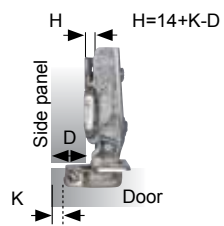

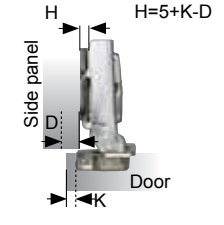

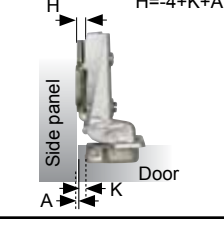

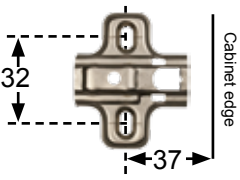

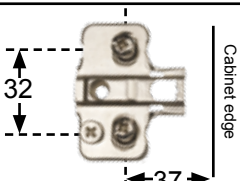


Cup drawing



Opening angle:	100°
Depth of hinge cup:	11,3 mm
Diameter of hinge cup:	35 mm
Mounting of hinge. Screw on:	c.c.48 mm
Possible drilling distances on the door (K):	3-7 mm
Door thickness:	14-24 mm

To be used with Touch Latches "Slim" page 22-23

Steel - Nickel Plated		Item No.	D: Overlay calculations	A: Gap calculations																												
Full overlay (A) 	 <p>$H=14+K-D$</p>	15.03.745 Incl. SISO name plate + mounting plate $H = 0$	<table border="1"> <tr> <th>D \ K</th> <th>3</th> <th>4</th> <th>5</th> <th>6</th> <th>7</th> </tr> <tr> <th>0</th> <td>17</td> <td>18</td> <td>19</td> <td>20</td> <td>21</td> </tr> <tr> <th>2</th> <td>15</td> <td>16</td> <td>17</td> <td>18</td> <td>19</td> </tr> <tr> <th>4</th> <td>13</td> <td>14</td> <td>15</td> <td>16</td> <td>17</td> </tr> </table>	D \ K	3	4	5	6	7	0	17	18	19	20	21	2	15	16	17	18	19	4	13	14	15	16	17					
D \ K	3	4	5	6	7																											
0	17	18	19	20	21																											
2	15	16	17	18	19																											
4	13	14	15	16	17																											
Half overlay (B) 	 <p>$H=5+K-D$</p>	15.03.746 Incl. SISO name plate + mounting plate $H = 0$	<table border="1"> <tr> <th>D \ K</th> <th>3</th> <th>4</th> <th>5</th> <th>6</th> <th>7</th> </tr> <tr> <th>0</th> <td>8</td> <td>9</td> <td>10</td> <td>11</td> <td>12</td> </tr> <tr> <th>2</th> <td>6</td> <td>7</td> <td>8</td> <td>9</td> <td>10</td> </tr> <tr> <th>4</th> <td>4</td> <td>5</td> <td>6</td> <td>7</td> <td>8</td> </tr> </table>	D \ K	3	4	5	6	7	0	8	9	10	11	12	2	6	7	8	9	10	4	4	5	6	7	8					
D \ K	3	4	5	6	7																											
0	8	9	10	11	12																											
2	6	7	8	9	10																											
4	4	5	6	7	8																											
Inset (C) 	 <p>$H=-4+K+A$</p>	15.03.747 Incl. SISO name plate + mounting plate $H = 0$	<table border="1"> <tr> <th>A \ K</th> <th>3</th> <th>4</th> <th>5</th> <th>6</th> <th>7</th> </tr> <tr> <th>0</th> <td>1</td> <td>0</td> <td>-1</td> <td>-2</td> <td>-3</td> </tr> <tr> <th>2</th> <td>3</td> <td>2</td> <td>1</td> <td>0</td> <td>-1</td> </tr> <tr> <th>4</th> <td>5</td> <td>4</td> <td>3</td> <td>2</td> <td>1</td> </tr> </table>	A \ K	3	4	5	6	7	0	1	0	-1	-2	-3	2	3	2	1	0	-1	4	5	4	3	2	1					
A \ K	3	4	5	6	7																											
0	1	0	-1	-2	-3																											
2	3	2	1	0	-1																											
4	5	4	3	2	1																											
	 <p>Cabinet edge 32 37</p>	$H = 0$ f/chipboard screws Clip-on	Delivered as standard mounting plate with all hinges. Chipboard screws to be ordered separately.																													
	 <p>Cabinet edge 32 37</p>	15.03.728-1 $H = 0$ f/euro screws Clip-on	To be ordered separately if easy up & down adjustment is wanted. Pre-mounted euro screws included.																													

TOUCH LATCHES "PUSH-TO-OPEN"

TOUCH LATCH "SLIM" W/SOFT BUMPER

Application: Push-to-open touch latch for doors and drawers

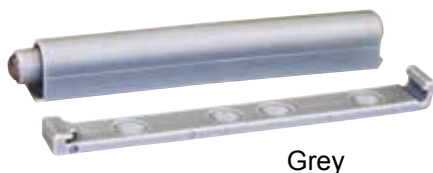
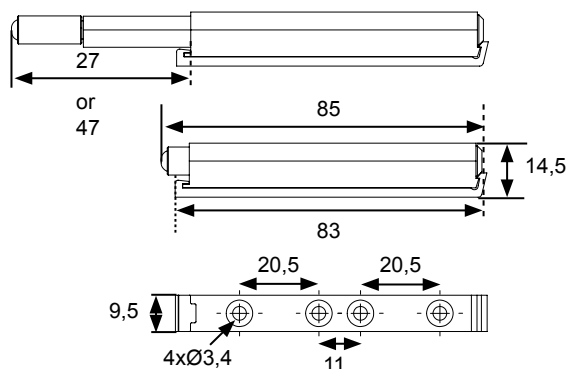
Material: Black ABS, White ABS, Grey ABS RAL 7040

Overall size: 85 mm x 14,5 mm

Extended: 105,5 mm

Item No.: # 22.01.108 (Black)
22.01.109 (Grey)
22.01.109-5 (White)

Screws to be ordered separately



MAGNET TOUCH LATCH "SLIM" W/STRIKER

Application: Push-to-open touch latch for doors and drawers with magnet & striker. Suitable for wood & glass fronts

Material: Black ABS, White ABS, Grey ABS RAL 7040

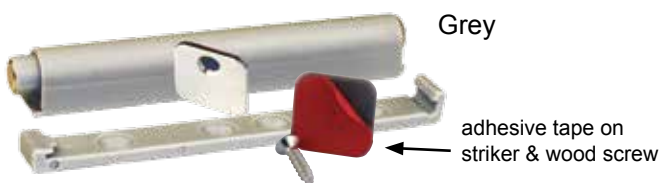
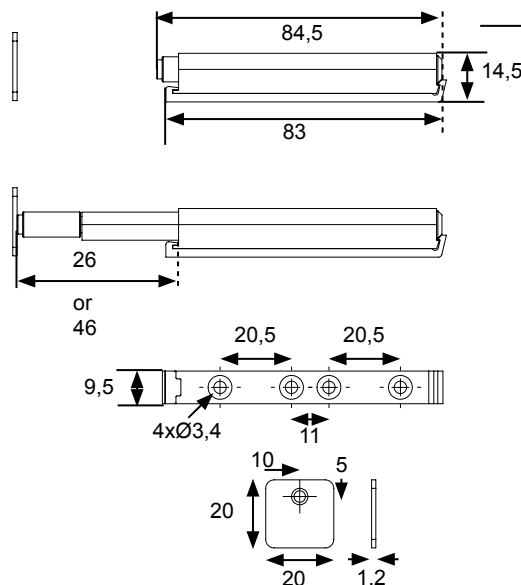
Overall size: 84,5 mm x 14,5 mm

Extended: 105 mm

Item No.: # 22.01.104 (White)
22.01.105 (Black)
22.01.106 (Grey)

Incl. Steel striker 20 x 20 mm with adhesive tape for glass fixing & screw hole for wood fixing

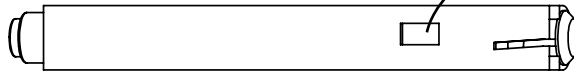
Screws to be ordered separately



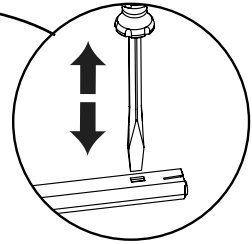
TOUCH LATCHES "PUSH-TO-OPEN"

- high quality furniture fittings

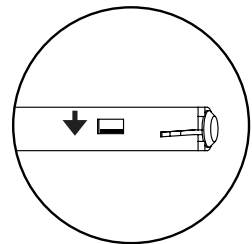
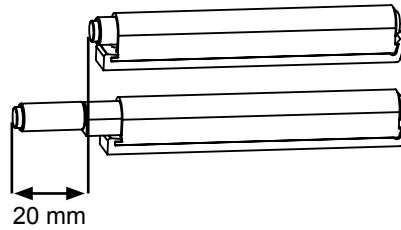
CHANGE OF EXTENSION LENGTH



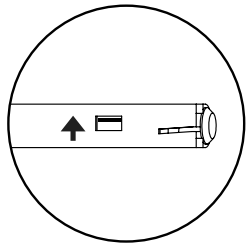
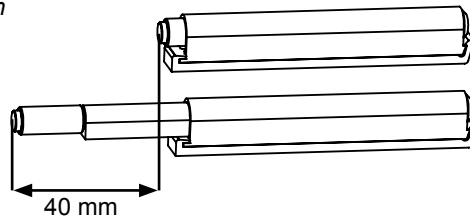
In closed position, press the tab upwards or downwards to choose the length of extension



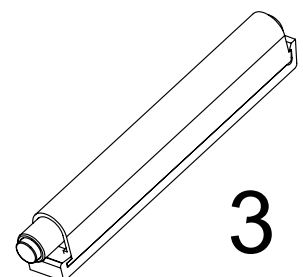
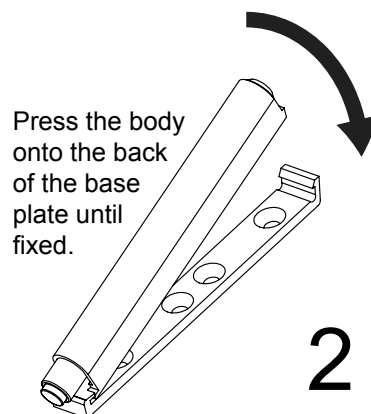
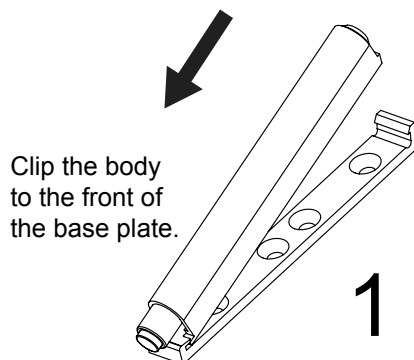
20 mm. extension



40 mm. extension



Mounting of latch



WIDE OPENING HINGE -270°

Application:

Wide opening hinge 270° opening for overlay doors. With catch function & visible axle.

Material: Zamak – Nickel plated

Cup wing:

Ø 35 x 12 mm. C.c: 45mm hole distance. Wood screw fixation. Ø 4 mm.

Mounting plate:

Clip-on. C.c: 32 mm hole distance. With vertical & lateral adjustment function. Wood screw fixation. Ø 4 mm.

Door thickness: 16 – 19 mm

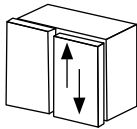
F/16mm panels # 15.04.079
F/19mm panels # 15.04.080

Other finishes on request.



**CLIP-ON
F/ 16-19 MM PANEL
FULL-OVERLAY**

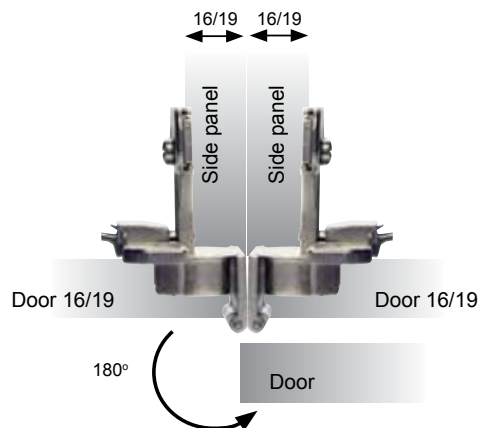
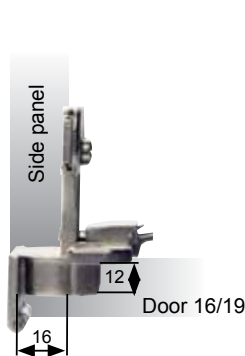
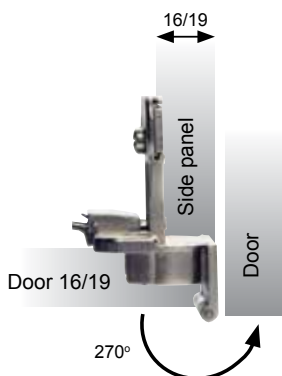
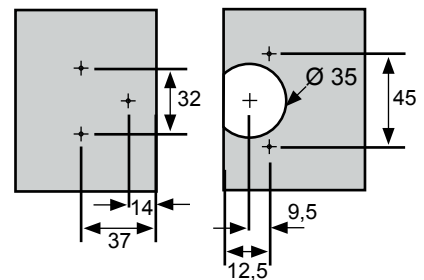
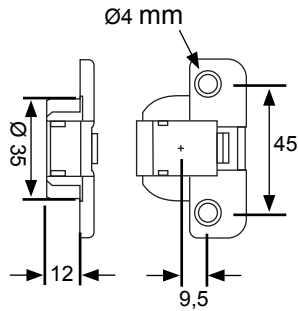
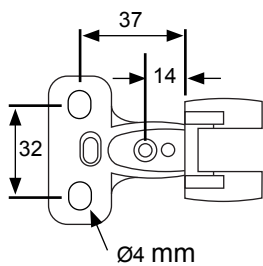
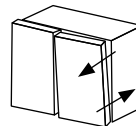
Set screw for vertical adjustment



Spring loaded catch

Clip-on release handle

Set screw for lateral adjustment



"FORTE" SELF-CLOSING HINGE

- high quality furniture fittings



Application:
Antique style hinge with visible axle & catch function.

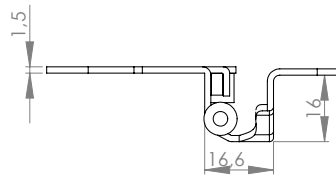
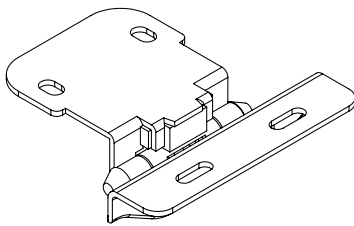
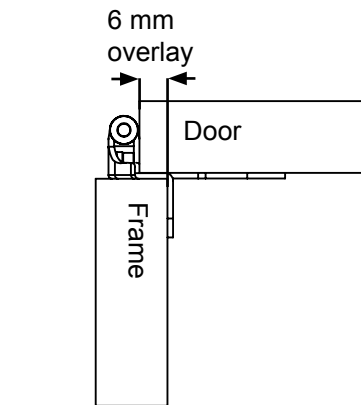
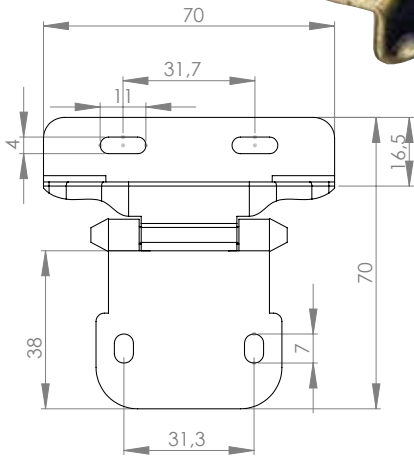
Material: Steel – Bronze plated

Overlay: 6 mm

Overall size: 70 mm x 70 mm

Item No.: # 15.90.011

Screws to be ordered separately



"VARIA" SELF-CLOSING HINGE



Application:
Antique style hinge with visible axle & catch function.

Material: Steel

Overlay: Variable

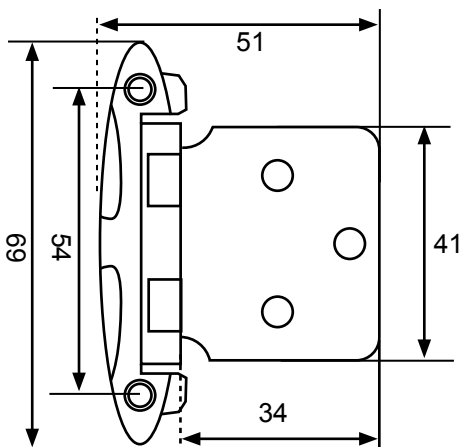
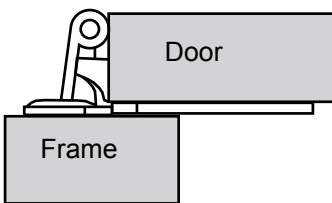
Overall size: 51 mm x 69 mm

Item No.:

Brass Pl. # 15.90.009

Bronzed Pl. # 15.90.010

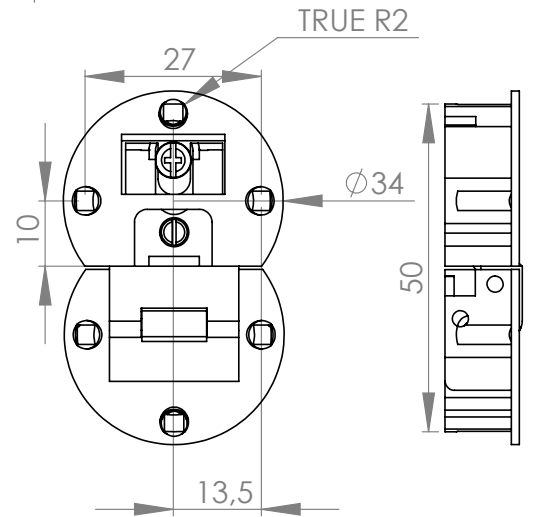
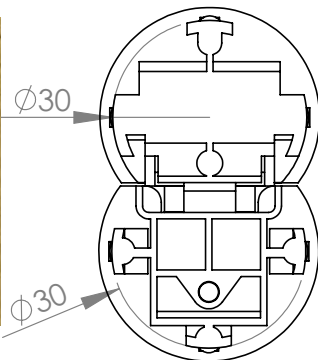
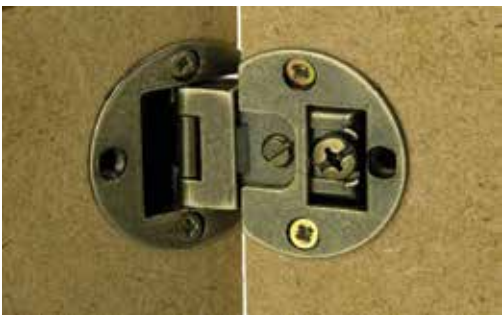
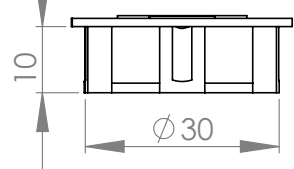
Screws to be ordered separately



FLAP HINGES

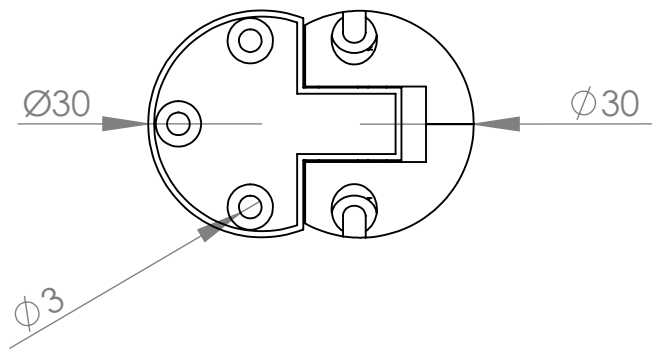
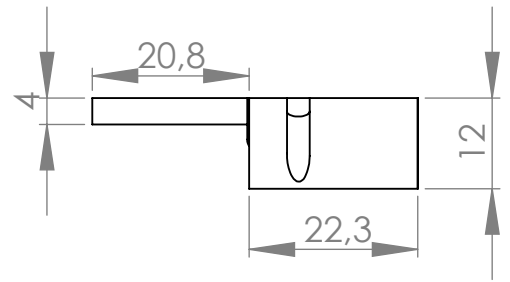
FLAP HINGE, Detachable

Material:	Zamak	
Finish:	Bronzed	# 15.09.077
	Nickel Plated	# 15.09.078
Size:	Ø 30 x 10 mm	
Opening:	90 degree	



FLAP HINGE, For thin flaps

Material:	Flap :	Zamak	
	House:	Plastic	
Size:	Ø 30 x 12 mm	(House)	
	Ø 30 x 4 mm	(Flap)	
Opening:	90 Degree		
Finish:	White/Nickel	# 15.09.105	
	Brown/Nickel	# 15.09.120	



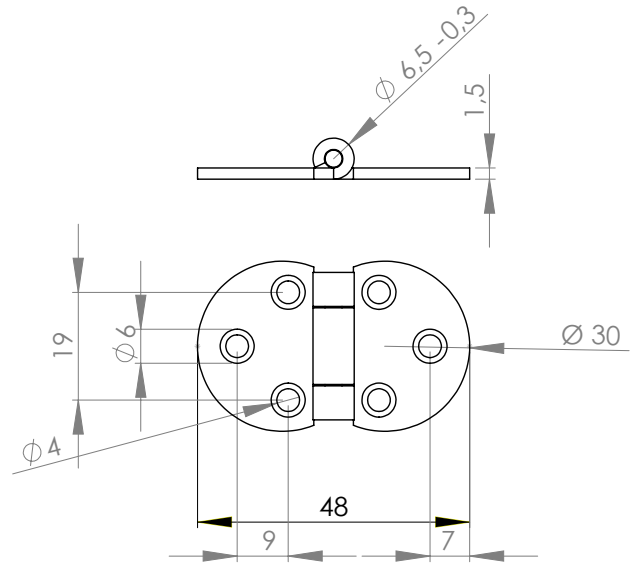
FLAP HINGES

- high quality furniture fittings



STEEL FLAP HINGES

Material:	Steel		
Size:	Ø 30 x 1,5 mm		
Holes:	Ø 4 mm		
Finish:	Brass Plated (BPL)	# 15.09.410	
	Bronzed	# 15.09.411	

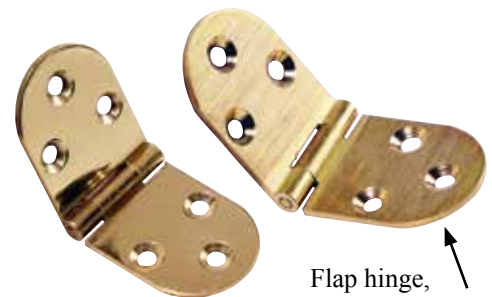
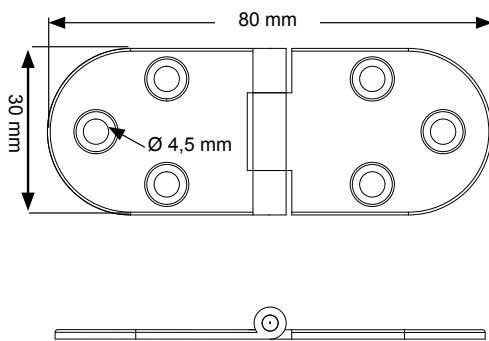


BRASS & SS-316 FLAP HINGES

Material:	Brass or Stainless Steel (SS) AISI 316		
Screw holes:	Ø 4,5 mm		
Size	Material	Finish	Item No.
30 x 80 x 1,75 mm	Brass	Polished	15.11.220
30 x 80 x 1,75 mm	Brass	Sanded	15.11.230
30 x 80 x 2,00 mm	SS	Polished	15.11.190



Flap hinge, Stainless Steel

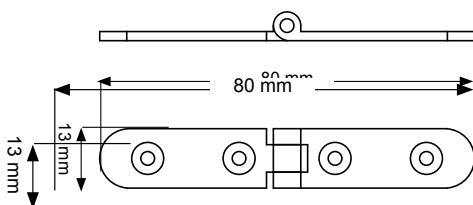


Flap hinge, Polished Brass & Sanded

BRASS FLAP HINGE "SLIM"



Flap hinge, Brass



Material:	Brass		
Screw holes:	Ø 3 mm		
Size	Material	Finish	Item No.
13 x 80 x 1,75 mm	Brass	Sanded	15.11.215

BUTT HINGES

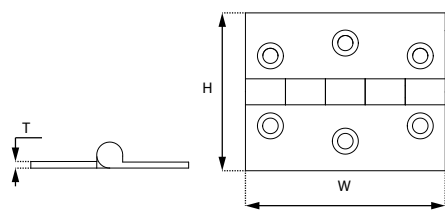
BRASS & SS-316 BUTT HINGES



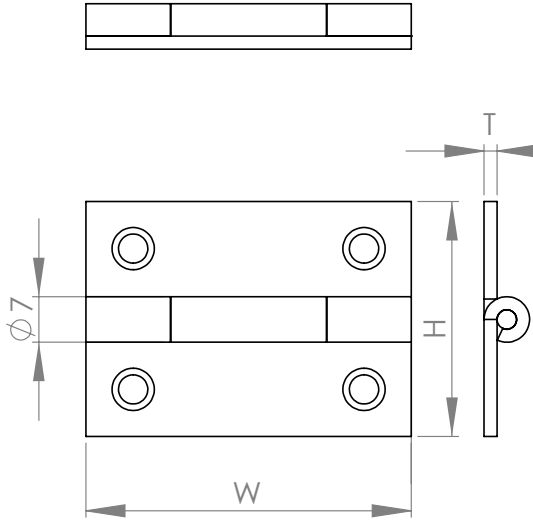
Material: Brass or Stainless Steel (SS) AISI 316

Screw holes: Ø 3,5 mm

Size: W/H/T	Material	Finish	Item No.
40 x 35 x 1,4 mm	Brass	Sanded	15.13.060
50 x 40 x 1,4 mm	Brass	Sanded	15.13.090
50 x 40 x 1,7 mm	SS	Polished	15.13.100
60 x 50 x 1,8 mm	Brass	Polished	15.13.125



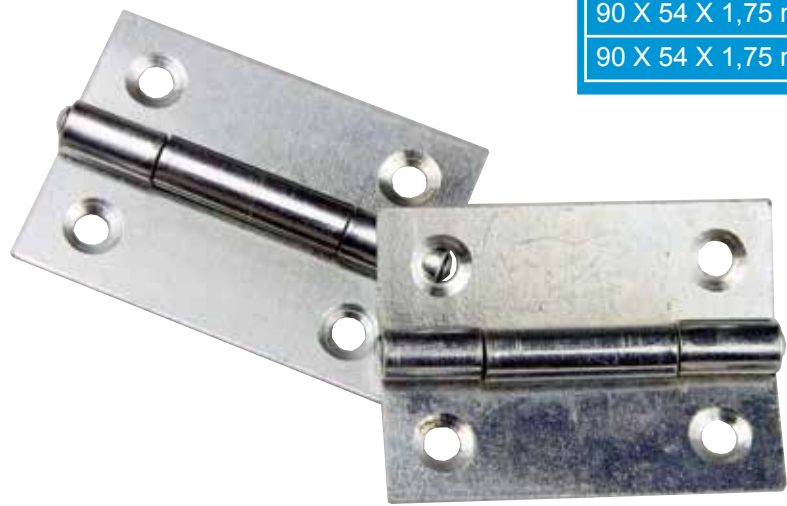
STEEL BUTT HINGES



Material: Steel

Finish: Bright Zinc Plated (BZP)
Brass Plated (BPL)

Size: W/H/T	Screw Holes	Finish	Item No.
25 x 24 x 1,2 mm	4 x Ø 4 mm	BZP	# 15.13.050
25 x 24 x 1,2 mm	4 x Ø 4 mm	BPL	# 15.13.051
40 x 33 x 1,4 mm	4 x Ø 4 mm	BZP	# 15.13.055
50 x 37 x 1,5 mm	4 x Ø 4,5 mm	BPL	# 15.13.083
50 x 37 x 1,5 mm	6 x Ø 5,5 mm	BZP	# 15.13.085
65 x 41 x 1,5 mm	6 x Ø 4,5 mm	BZP	# 15.13.130
65 x 41 x 1,5 mm	6 x Ø 4,5 mm	BPL	# 15.13.131
75 x 48 x 1,5 mm	6 x Ø 5 mm	BZP	# 15.13.211
75 x 48 x 1,5 mm	6 x Ø 5 mm	BPL	# 15.13.212
90 X 54 X 1,75 mm	6 x Ø 6 mm	BZP	# 15.13.216
90 X 54 X 1,75 mm	6 x Ø 6 mm	BPL	# 15.13.217



FLUSH & PIN HINGES

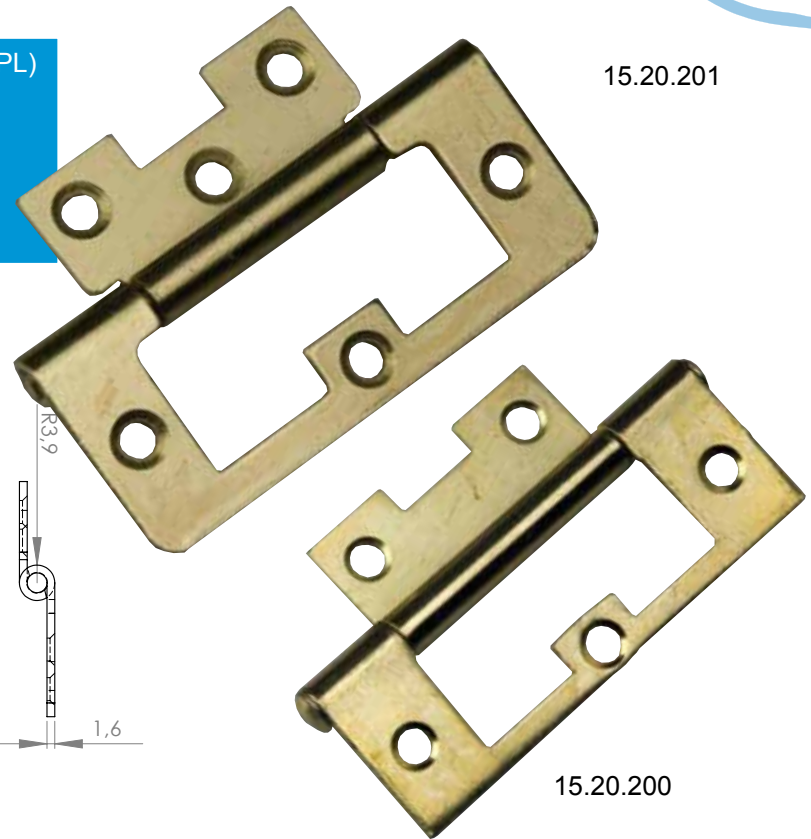
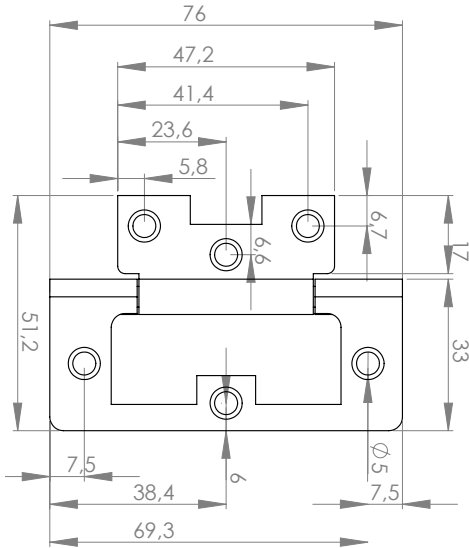
- high quality furniture fittings

FLUSH HINGE "ROUND"

Material: Steel, Brass Plated (BPL)
Size: 76 x 33 x 1,6 mm
Screw hole: Ø 5 mm

Model	Item No.
ROUND	# 15.20.201

15.20.201

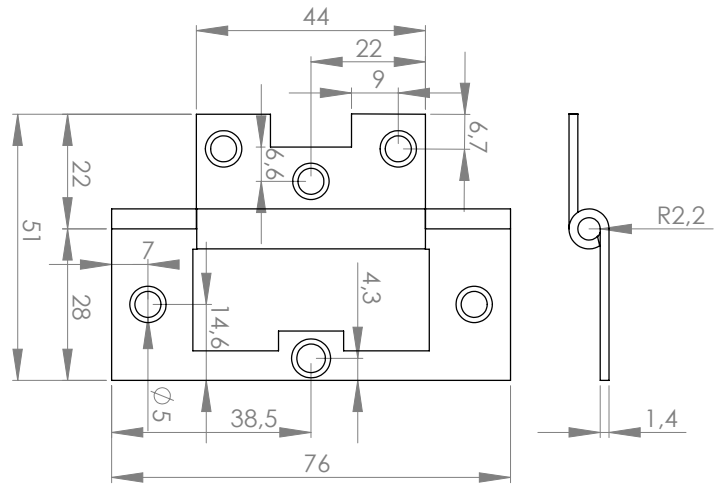


15.20.200

FLUSH HINGE "STRAIGHT"

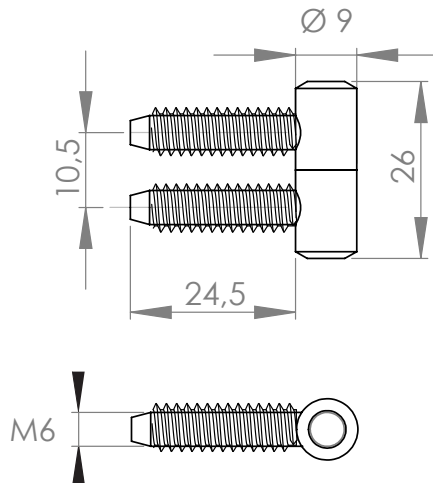
Material: Steel, Brass Plated (BPL)
Size: 76 x 28 x 1,4 mm
Screw hole: Ø 5 mm

Model	Item No.
STRAIGHT	# 15.20.200



PIN HINGE F/WOODEN CABINETS

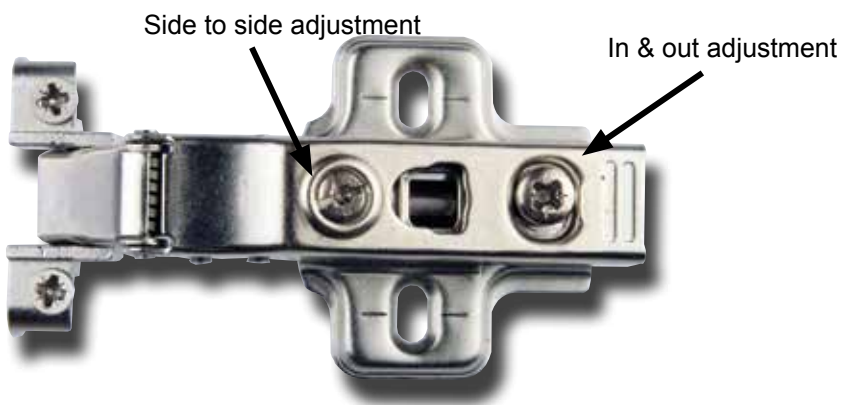
Material: Steel
Size: Ø 9 x 26 mm
Finish: Brass Plated
Item No.: # 15.08.040



SOFT CLOSE ALUMINIUM FRAME HINGE -100°

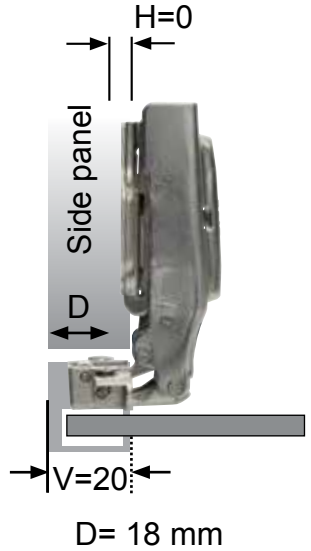


**SOFT CLOSE
CLIP-ON
FI 19-24 MM PANEL**

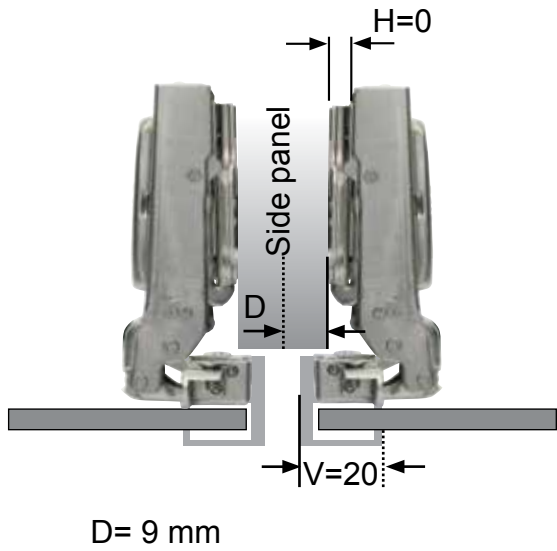


- H = height of mounting plate
- D = required door overlay
- V = width of aluminium frame
- A = gap between door and sidepanel

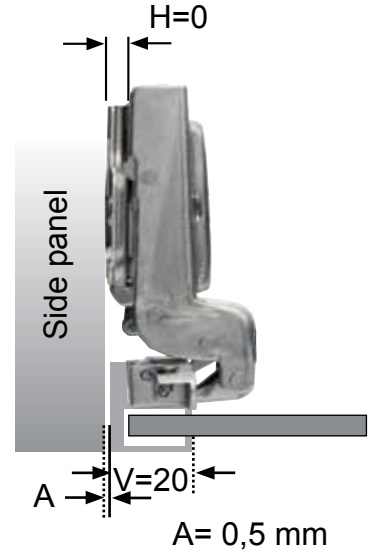
Full overlay (A)



Half overlay (B)



Inset (C)



SOFT CLOSE

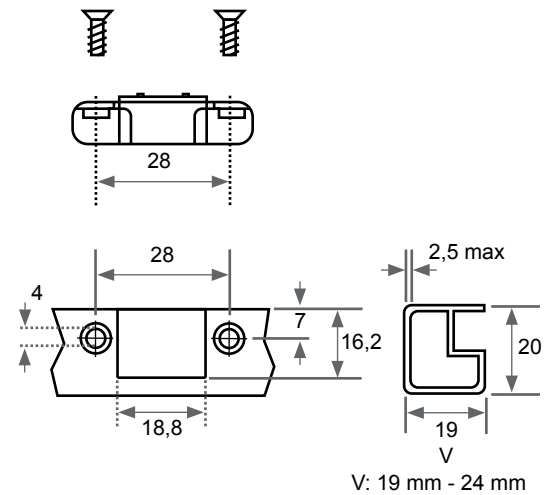
- high quality furniture fittings



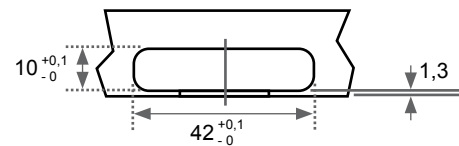
ALUMINIUM FRAME HINGE -100°



Soft close hinge f/alu frames w/ mounting plate f/ easy up and down adjusting (optional)



Opening angle:	100°
Mounting of hinge: Screw - on c.c.	28 mm
Width of aluminium frame (V):	19-24 mm



Steel - Nickel Plated		Item No.	D: Overlay calculations	A: Gap calculations																																	
		15.03.800 Incl. SISO name plate + mounting plate H = 0	<table border="1"> <tr> <th>D \ V</th> <th>19</th> <th>20</th> <th>21</th> <th>22</th> <th>23</th> </tr> <tr> <th>H</th> <td>17</td> <td>18</td> <td>19</td> <td>20</td> <td>21</td> </tr> <tr> <th>0</th> <td>15</td> <td>16</td> <td>17</td> <td>18</td> <td>19</td> </tr> <tr> <th>2</th> <td>13</td> <td>14</td> <td>15</td> <td>16</td> <td>17</td> </tr> </table>	D \ V	19	20	21	22	23	H	17	18	19	20	21	0	15	16	17	18	19	2	13	14	15	16	17										
				D \ V	19	20	21	22	23																												
H	17	18	19	20	21																																
0	15	16	17	18	19																																
2	13	14	15	16	17																																
		15.03.801 Incl. SISO name plate + mounting plate H = 0	<table border="1"> <tr> <th>D \ V</th> <th>19</th> <th>20</th> <th>21</th> <th>22</th> <th>23</th> </tr> <tr> <th>H</th> <td>8</td> <td>9</td> <td>10</td> <td>11</td> <td>12</td> </tr> <tr> <th>0</th> <td>6</td> <td>7</td> <td>8</td> <td>9</td> <td>10</td> </tr> <tr> <th>2</th> <td>4</td> <td>5</td> <td>6</td> <td>7</td> <td>8</td> </tr> </table>	D \ V	19	20	21	22	23	H	8	9	10	11	12	0	6	7	8	9	10	2	4	5	6	7	8										
				D \ V	19	20	21	22	23																												
H	8	9	10	11	12																																
0	6	7	8	9	10																																
2	4	5	6	7	8																																
		15.03.802 Incl. SISO name plate + mounting plate H = 0	<table border="1"> <tr> <th>A \ V</th> <th>19</th> <th>20</th> <th>21</th> <th>22</th> <th>23</th> <th>24</th> </tr> <tr> <th>H</th> <td>1,5</td> <td>0,5</td> <td>-0,5</td> <td>-1,5</td> <td>-2,5</td> <td>-3,5</td> </tr> <tr> <th>0</th> <td>3,5</td> <td>2,5</td> <td>1,5</td> <td>0,5</td> <td>-0,5</td> <td>-1,5</td> </tr> <tr> <th>2</th> <td>5,5</td> <td>4,5</td> <td>3,5</td> <td>2,5</td> <td>1,5</td> <td>0,5</td> </tr> </table>	A \ V	19	20	21	22	23	24	H	1,5	0,5	-0,5	-1,5	-2,5	-3,5	0	3,5	2,5	1,5	0,5	-0,5	-1,5	2	5,5	4,5	3,5	2,5	1,5	0,5						
				A \ V	19	20	21	22	23	24																											
H	1,5	0,5	-0,5	-1,5	-2,5	-3,5																															
0	3,5	2,5	1,5	0,5	-0,5	-1,5																															
2	5,5	4,5	3,5	2,5	1,5	0,5																															
		H = 0 f/chipboard screws Clip-on	Delivered as standard mounting plate with all hinges. Chipboard screws to be ordered separately.																																		
		15.03.728-0 H = 0 f/euro screws Clip-on	To be ordered separately if easy up & down adjustment is wanted. Pre-mounted euro screws included.																																		

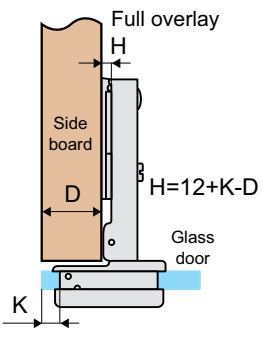
GLASS DOOR HINGES "MINI" WITH FRONT COVER

AUTOMATIC GLASS DOOR HINGE WITH DOUBLE SPRING ACTION

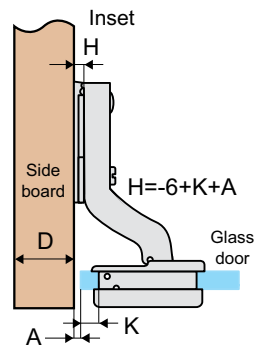
Opening angle: 92°
 Glass door drilling: 26 mm for glass thickness 4 to 6 mm
 Supplied complete with wing mounting plate.
 Steel nickel pl. 3 mm distance for chipboard screw attachment housing: plastic black
 Hingearm keyhole type, steel nickel pl.

TYPE A = FULL OVERLAY DOORS
 0 mm cranking # 15.01.700

TYPE C = INSET DOORS
 17 mm cranking # 15.01.710



Application case of glass hinge Ø26 mm
 H - height of mounting plate
 D - panel thickness
 K - drilling distance from the edge of glass door to the edge of the hole
 A - gap between door and side board



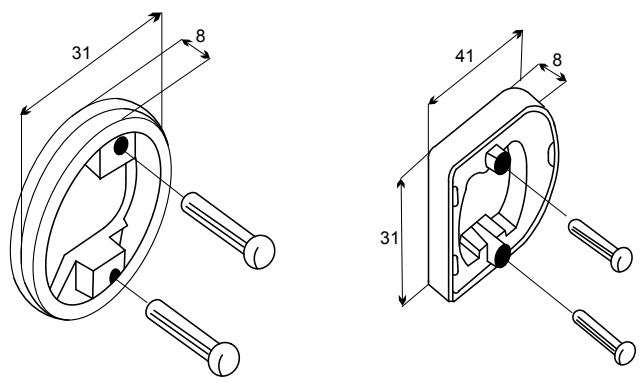
D	K	3	4	5	6	7
H	0	15	16	17	18	19

A	K	3	4	5	6	7
H	0	3	2	1	0	-1

COVER CAPS FOR HINGE "MINI"

FRONT COVER PLASTIC

- Round cover, chrome # 15.02.720
- Round cover, gold # 15.02.721
- Round cover, black # 15.02.722
- Round cover, alu # 15.02.723
- Round cover, matt NPL # 15.02.724
- Oval cover, chrome # 15.02.730
- Oval cover, gold # 15.02.731
- Oval cover, black # 15.02.732
- Oval cover, alu # 15.02.733
- Oval cover, matt NPL # 15.02.734



GLASS DOOR HINGES "SMART-92"

WITH FRONT COVER

- high quality furniture fittings

SISO
DENMARK

GLASS DOOR HINGE „SMART-92“

Application

For inset doors. Ideal for furniture where only a very narrow wooden side-wall/pole is available. Direct fixing to side-wall/pole without any mounting plate

Mounting

Glass door drilling: $\varnothing 26$ mm
Glass thickness: 4-6 mm C.C. 32 mm

Material

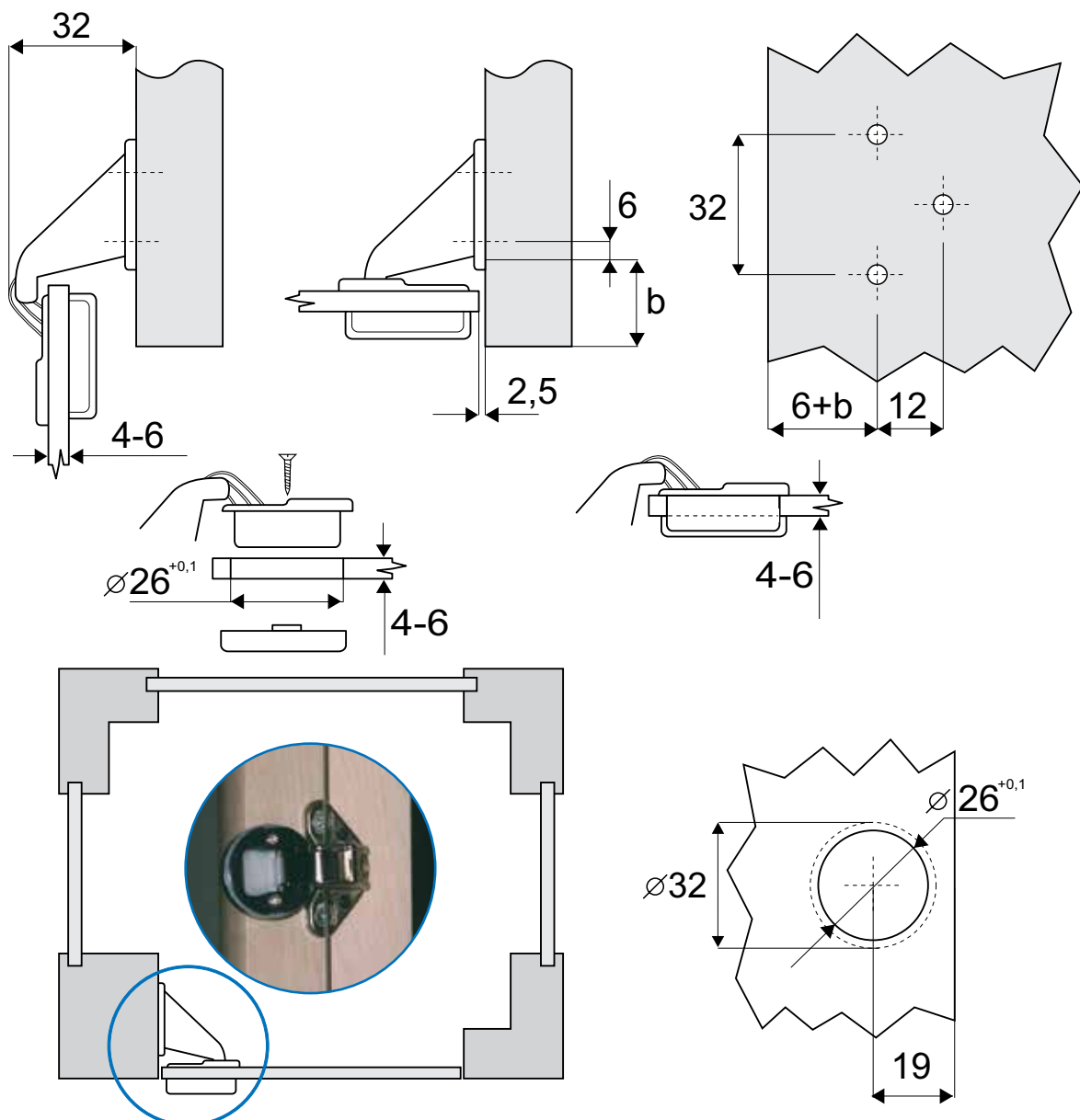
Hinge arm: Zamak, nickel plated
Hinge cup: Black plastic

Item No. # 15.01.000

Plastic cover cap $\varnothing 32$ mm

Finish

Alu finish # 15.01.050



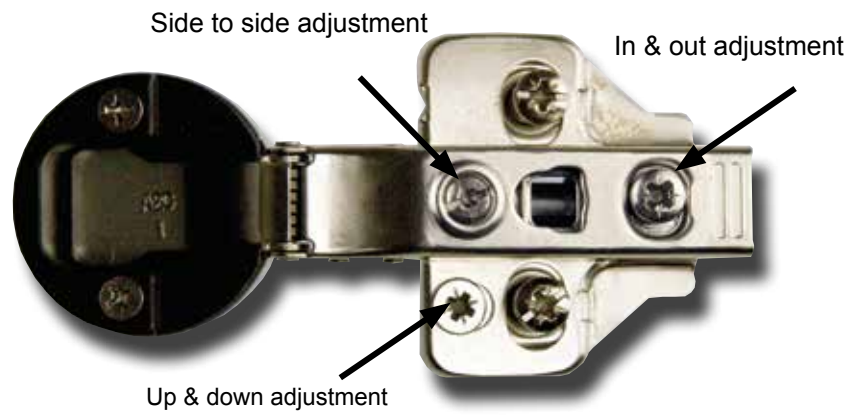
SOFT CLOSE MINI GLASS DOOR HINGE Ø 26 MM - 95°



Standard model

**SOFT CLOSE
CLIP-ON
FI 4-6 MM GLASS
Ø 26 MM**

Hinge w/mounting plate f/easy up & down adjustment (optional)

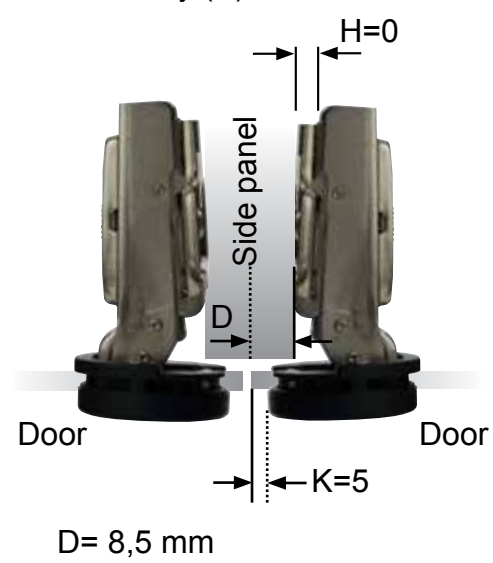


- H** = height of mounting plate
- D** = required door overlay
- K** = drilling distance from the edge of door to the edge of the cup hole
- A** = gap between door and sidepanel

Full overlay (A)



Half overlay (B)



Inset (C)



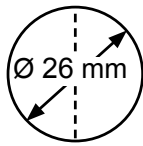
SOFT CLOSE MINI GLASS DOOR

- high quality furniture fittings


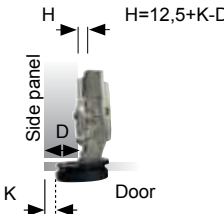

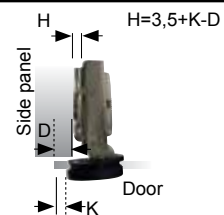

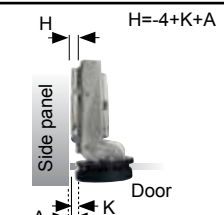

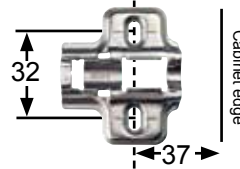

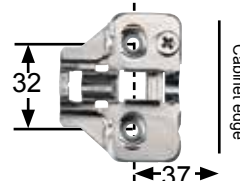






HINGE Ø 26 MM - 95°

Cup drawing



Opening angle: 95°
 Depth of hinge cup: 10,6 mm
 Diameter of hinge cup: 26 mm
 Possible drilling distances on the glass door (K): 4-7 mm
 Glass door thickness: 4-6 mm

Steel - Nickel Plated		Item No.	D: Overlay calculations	A: Gap calculations																		
Full overlay (A) 		15.01.720 Incl. SISO name plate + mounting plate H = 0	<table border="1"> <tr> <th>D \ K</th> <th>3</th> <th>4</th> <th>5</th> </tr> <tr> <th>0</th> <td>15,5</td> <td>16,5</td> <td>17,5</td> </tr> <tr> <th>2</th> <td>13,5</td> <td>14,5</td> <td>15,5</td> </tr> <tr> <th>4</th> <td>11,5</td> <td>12,5</td> <td>13,5</td> </tr> </table>	D \ K	3	4	5	0	15,5	16,5	17,5	2	13,5	14,5	15,5	4	11,5	12,5	13,5			
D \ K	3	4	5																			
0	15,5	16,5	17,5																			
2	13,5	14,5	15,5																			
4	11,5	12,5	13,5																			
Half overlay (B) 		15.01.721 Incl. SISO name plate + mounting plate H = 0	<table border="1"> <tr> <th>D \ K</th> <th>3</th> <th>4</th> <th>5</th> </tr> <tr> <th>0</th> <td>6,5</td> <td>7,5</td> <td>8,5</td> </tr> <tr> <th>2</th> <td>4,5</td> <td>5,5</td> <td>6,5</td> </tr> <tr> <th>4</th> <td>2,5</td> <td>3,5</td> <td>4,5</td> </tr> </table>	D \ K	3	4	5	0	6,5	7,5	8,5	2	4,5	5,5	6,5	4	2,5	3,5	4,5			
D \ K	3	4	5																			
0	6,5	7,5	8,5																			
2	4,5	5,5	6,5																			
4	2,5	3,5	4,5																			
Inset (C) 		15.01.722 Incl. SISO name plate + mounting plate H = 0	<table border="1"> <tr> <th>A \ K</th> <th>3</th> <th>4</th> <th>5</th> </tr> <tr> <th>0</th> <td>1</td> <td>0</td> <td>-1</td> </tr> <tr> <th>2</th> <td>3</td> <td>2</td> <td>1</td> </tr> </table>	A \ K	3	4	5	0	1	0	-1	2	3	2	1							
A \ K	3	4	5																			
0	1	0	-1																			
2	3	2	1																			
		H = 0 f/chipboard screws Clip-on	Delivered as standard mounting plate with all hinges. Chipboard screws to be ordered separately.																			
		15.03.728-0 H = 0 f/euro screws Clip-on	To be ordered separately if easy up & down adjustment is wanted. Pre-mounted euro screws included.																			
																						
15.01.830 , ABS Chrome plated cover	15.01.831 , ABS Alu plated cover	15.01.820 , ABS Chrome plated cover	15.01.821 , ABS Alu plated cover																			

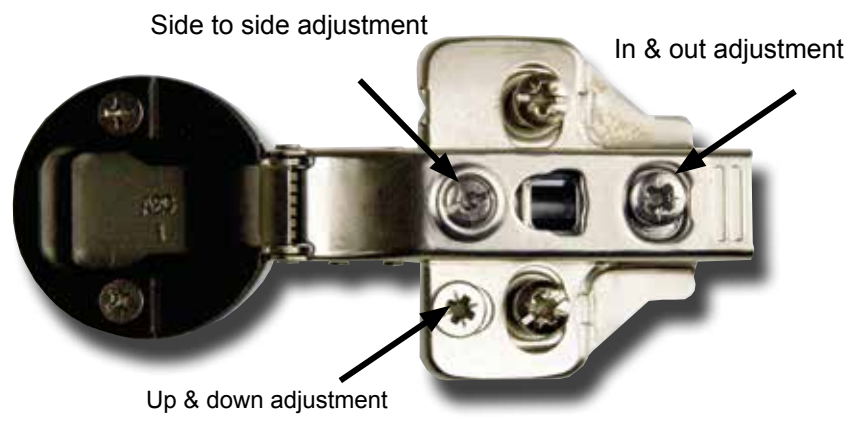
SOFT CLOSE MAXI GLASS DOOR HINGE Ø 35 MM -100°



Standard model

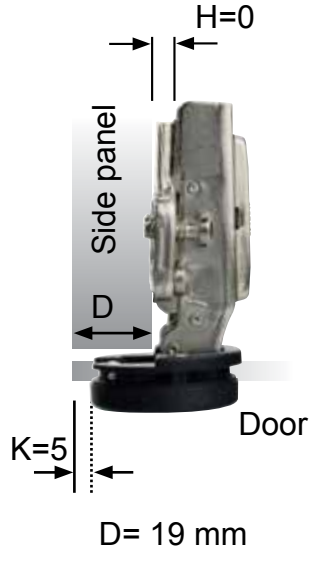
**SOFT CLOSE
CLIP-ON
FI 4-6 MM GLASS
Ø 35 MM**

Hinge w/mounting plate f/easy up & down adjustment (optional)

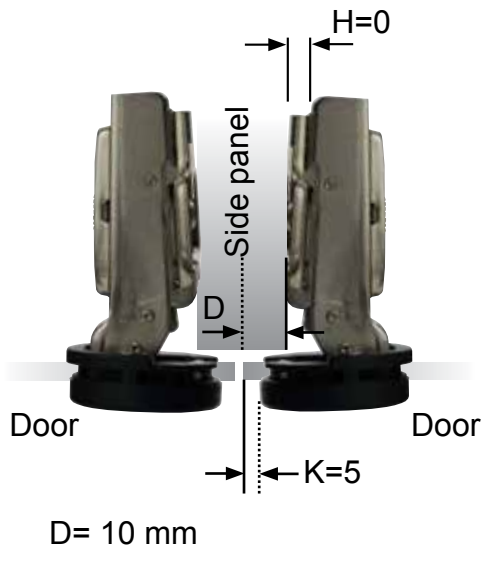


- H =** height of mounting plate
- D =** required door overlay
- K =** drilling distance from the edge of door to the edge of the cup hole
- A =** gap between door and sidepanel

Full overlay (A)



Half overlay (B)



Inset (C)



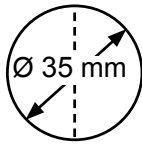
SOFT CLOSE MAXI GLASS DOOR

HINGE Ø 35 MM - 100°

- high quality furniture fittings


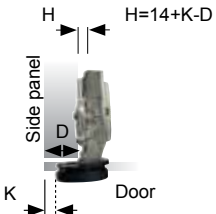

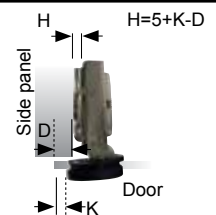

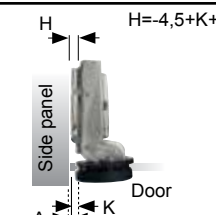

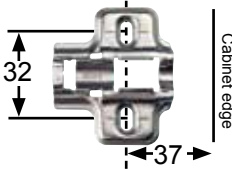

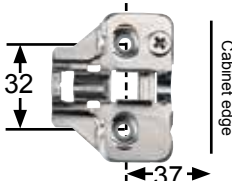






Cup drawing



Opening angle: 100°
 Depth of hinge cup: 11,3 mm
 Diameter of hinge cup: 35 mm
 Possible drilling distances on the glass door (K): 4-8 mm
 Glass door thickness: 4-6 mm



Steel - Nickel Plated		Item No.	D: Overlay calculations	A: Gap calculations																												
Full overlay (A) 		15.01.715 Incl. SISO name plate + mounting plate H = 0	<table border="1"> <tr> <th>D \ K</th> <th>3</th> <th>4</th> <th>5</th> <th>6</th> <th>7</th> </tr> <tr> <th>0</th> <td>17</td> <td>18</td> <td>19</td> <td>20</td> <td>21</td> </tr> <tr> <th>2</th> <td>15</td> <td>16</td> <td>17</td> <td>18</td> <td>19</td> </tr> <tr> <th>4</th> <td>13</td> <td>14</td> <td>15</td> <td>16</td> <td>17</td> </tr> </table>	D \ K	3	4	5	6	7	0	17	18	19	20	21	2	15	16	17	18	19	4	13	14	15	16	17					
D \ K	3	4	5	6	7																											
0	17	18	19	20	21																											
2	15	16	17	18	19																											
4	13	14	15	16	17																											
Half overlay (B) 		15.01.716 Incl. SISO name plate + mounting plate H = 0	<table border="1"> <tr> <th>D \ K</th> <th>3</th> <th>4</th> <th>5</th> <th>6</th> <th>7</th> </tr> <tr> <th>0</th> <td>8</td> <td>9</td> <td>10</td> <td>11</td> <td>12</td> </tr> <tr> <th>2</th> <td>6</td> <td>7</td> <td>8</td> <td>9</td> <td>10</td> </tr> <tr> <th>4</th> <td>4</td> <td>5</td> <td>6</td> <td>7</td> <td>8</td> </tr> </table>	D \ K	3	4	5	6	7	0	8	9	10	11	12	2	6	7	8	9	10	4	4	5	6	7	8					
D \ K	3	4	5	6	7																											
0	8	9	10	11	12																											
2	6	7	8	9	10																											
4	4	5	6	7	8																											
Inset (C) 		15.01.717 Incl. SISO name plate + mounting plate H = 0	<table border="1"> <tr> <th>A \ K</th> <th>3</th> <th>4</th> <th>5</th> <th>6</th> <th>7</th> </tr> <tr> <th>0</th> <td>1,5</td> <td>0,5</td> <td>0,5</td> <td>-1,5</td> <td>-2,5</td> </tr> <tr> <th>2</th> <td>3,5</td> <td>2,5</td> <td>1,5</td> <td>0,5</td> <td>-0,5</td> </tr> <tr> <th>4</th> <td>5,5</td> <td>4,5</td> <td>3,5</td> <td>2,5</td> <td>1,5</td> </tr> </table>	A \ K	3	4	5	6	7	0	1,5	0,5	0,5	-1,5	-2,5	2	3,5	2,5	1,5	0,5	-0,5	4	5,5	4,5	3,5	2,5	1,5					
A \ K	3	4	5	6	7																											
0	1,5	0,5	0,5	-1,5	-2,5																											
2	3,5	2,5	1,5	0,5	-0,5																											
4	5,5	4,5	3,5	2,5	1,5																											
		H = 0 f/chipboard screws Clip-on	Delivered as standard mounting plate with all hinges. Chipboard screws to be ordered separately.																													
		15.03.728-0 H = 0 f/euro screws Clip-on	To be ordered separately if easy up & down adjustment is wanted. Pre-mounted euro screws included.																													
		15.01.810 , ABS Chrome plated cover			15.01.811 , ABS Alu plated cover	15.01.800 , ABS Chrome plated cover	15.01.801 , ABS Alu plated cover																									

GLASS DOOR HINGES F/DRILLING

GLASS DOOR HINGE „NICE“

Finish

- Chrome plated w/catch # 15.06.450
- Chrome plated no catch # 15.06.455

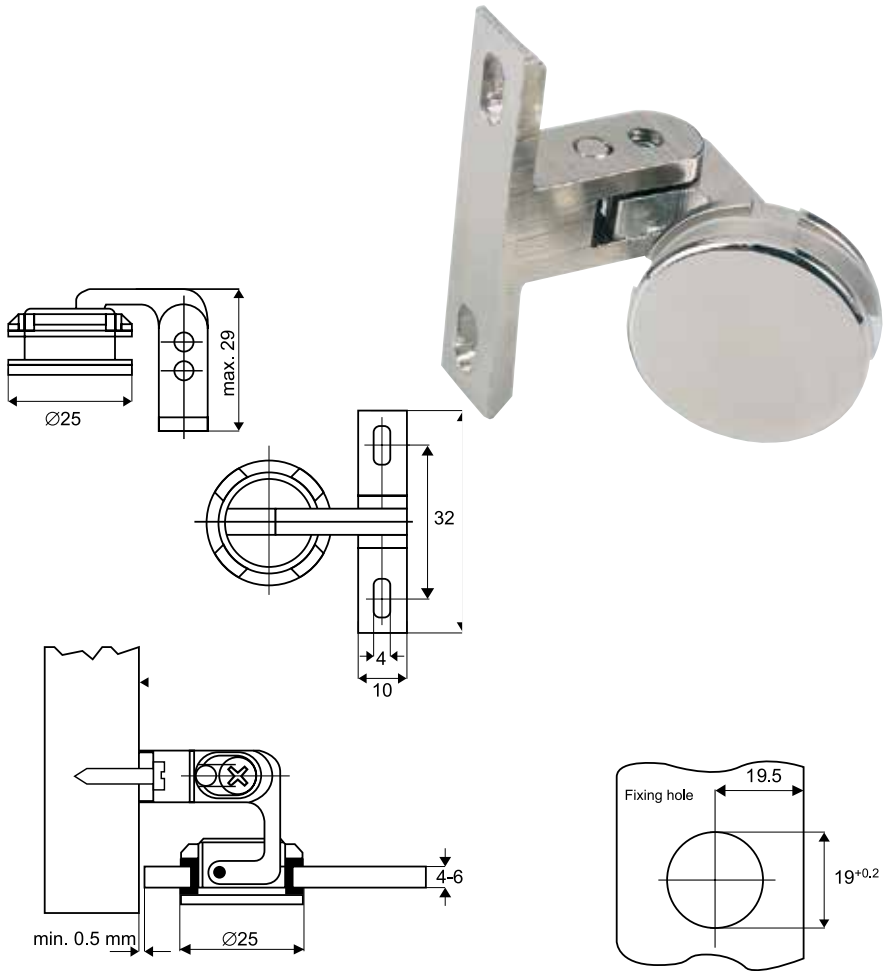
Material

Brass

Mounting

Inset doors 4-6 mm thickness

Opening angle: 105°
 universal top or bottom
 height can be adjusted
 Drill size 19 mm diam.



GLASS DOOR HINGE „ELEGANT“

Material

Natural brass

Finish

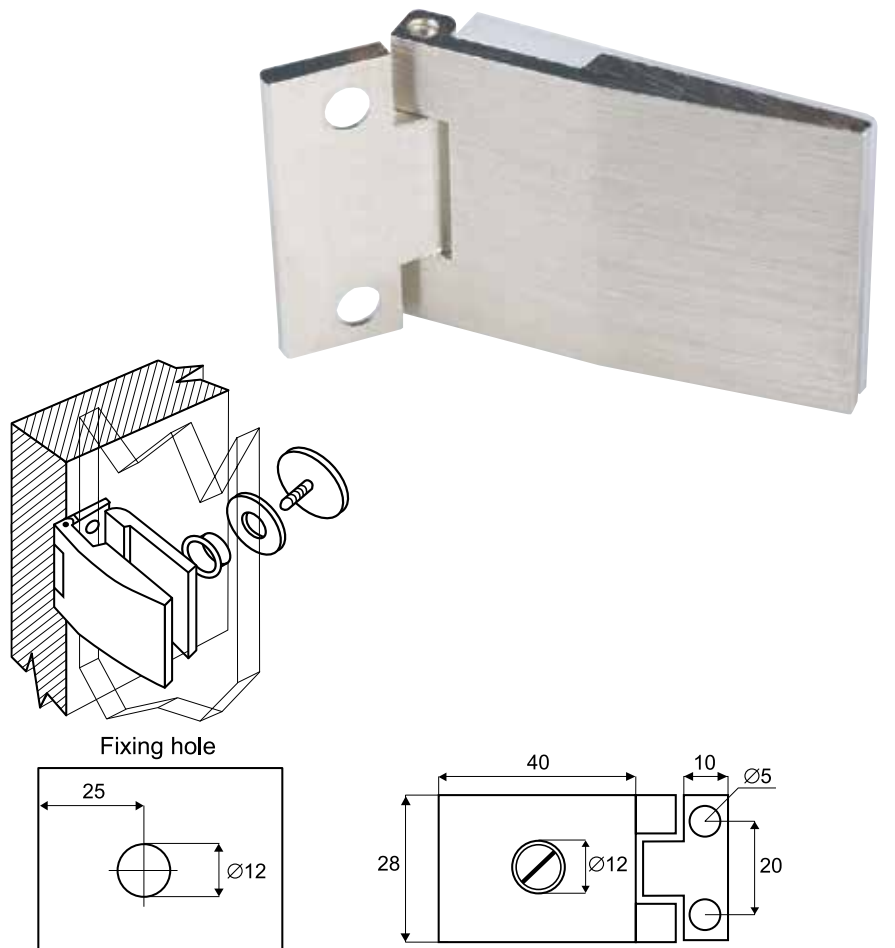
- Brushed natural brass # 15.06.460
- Brushed nickel # 15.06.461

Mounting

Inset doors 6 mm thickness
 Opening 270°
 Drill size 12 mm

Packing

40 pcs



GLASS DOOR HINGES F/DRILLING

- high quality furniture fittings



BRASS GLASS DOOR HINGE „NICE“ F/6-8 MM GLASS

Finish

Gold plated # 15.30.000
 Chrome plated # 15.30.001

Material

Brass

Consists of

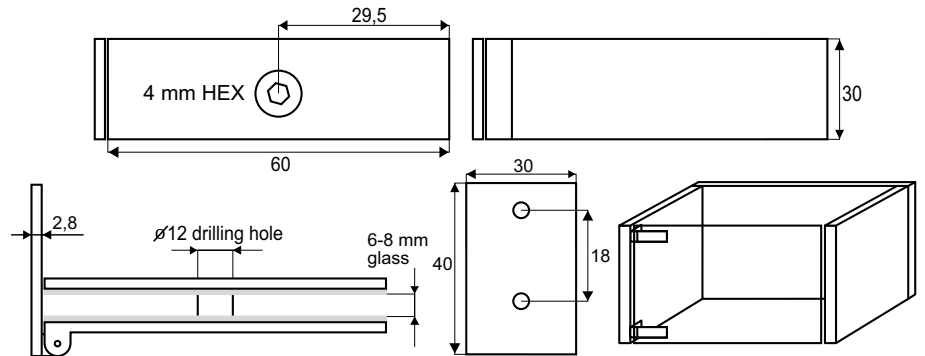
1 hinge 60 x 30 mm
 2 cork cushions
 1 brass screw M6 x 10 mm, 4 mm hex

Function

Inset doors, max 6-8 mm glass thickness
 Max door size 1400 x 700 mm
 ø12 mm drilling hole
 Opening angle 90°

Packing

200 pcs per export carton



BRASS GLASS DOOR HINGE „NICE“ F/6-8 MM GLASS

Mounting: Glass: Ø 10 mm boring holes
 Wood: 7 x 4 mm screw holes

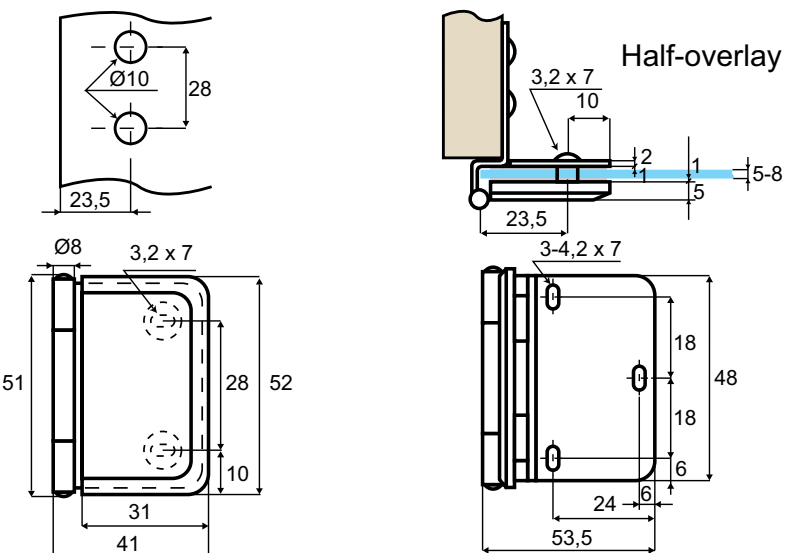
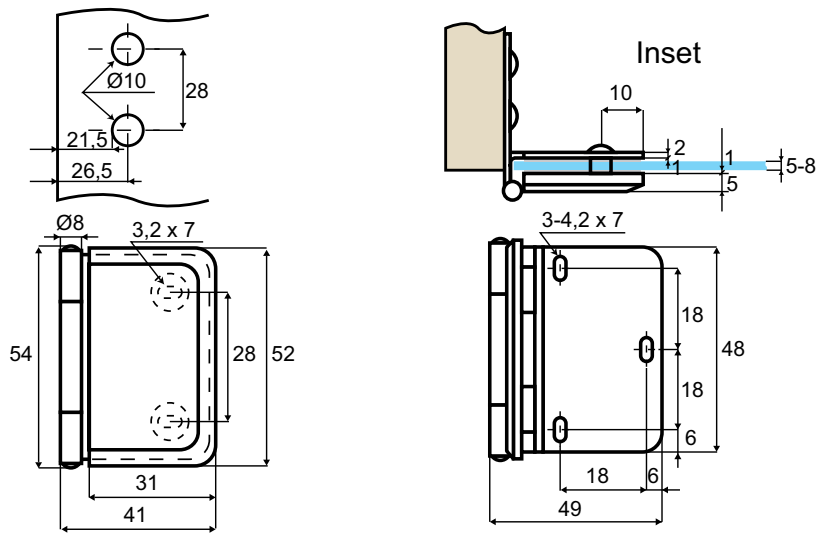
Material: Stainless steel 304 - polished

Hinge size: 52 x 31 13 mm (H/W/D)
Glass thickness: 5-8 mm
Max door size: 650 x 900 mm
Max door weight: 6 kg per hinge

Function: Inset or half-overlay
 Opening 180°

Inset: # 15.06.470
Half-overlay: # 15.06.471

Each hinge is supplied with 2 white cushions 1 mm thickness



Inset

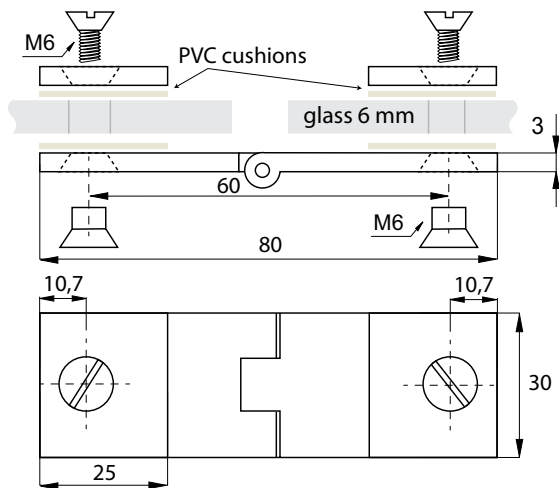


Half-overlay

GLASS DOOR HINGES F/DRILLING

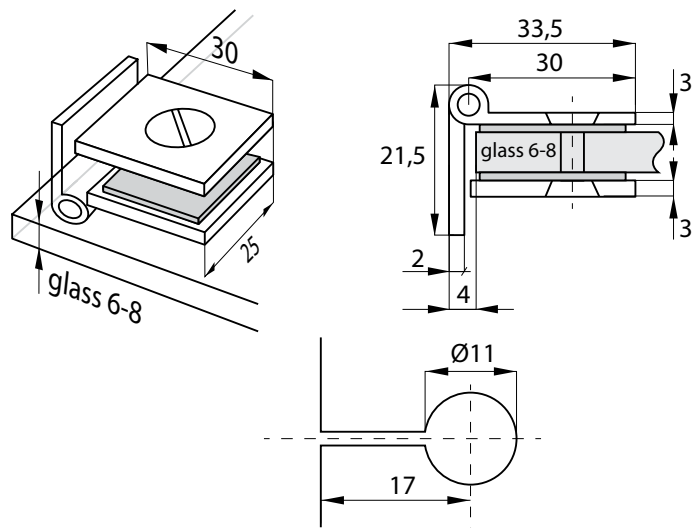
MODEL „BOSCH“ F/GLASS TO GLASS

Material	3 mm brass
Hinge size:	30 x 80 mm (H/W)
Function	Inset or overlay doors
Glass thickness:	6 mm
Opening angle:	270°
Drilling:	Ø9 mm
Finish	Chrome plated
	# 15.06.500



MODEL „BOSCH“ F/WALL TO GLASS

Material	Brass, Chrome plated
Size	
Hinge:	25 x 30 mm (H/W)
Mounting plate:	25 x 12 mm (H/W)
Function	Inset doors
Glass thickness:	6 - 8 mm
Drilling:	Ø9 mm
Finish	Chrome plated
	# 15.06.520



GLASS PIVOT HINGES - NO DRILLING

- high quality furniture fittings

SISO
DENMARK

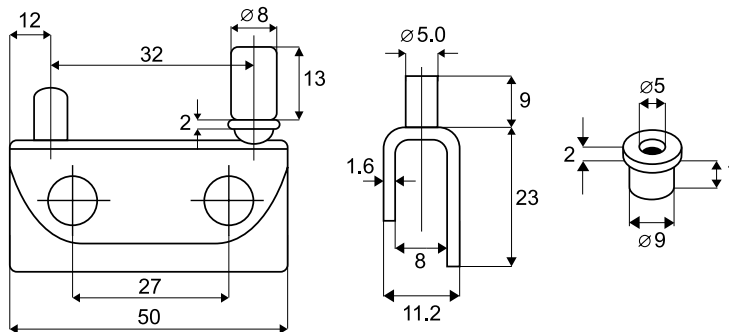
GLASS DOOR HINGE 11.300

Material: Steel
 Chrome plated # 15.06.036
 Brass plated # 15.06.035
 Black anodized # 15.06.037
 Alu finish # 15.06.038

Mounting:
 Top + Bottom
 Inset Doors, max 4-6 mm
 Complete with nylon bushings and steel screws w/softtip

Front plate:
 Size: 50 x 23 mm - polished

Optional, to be ordered separately
BALL CATCH # 15.06.076
 Material: Brass
 Size: Ø 8 mm x 13 mm



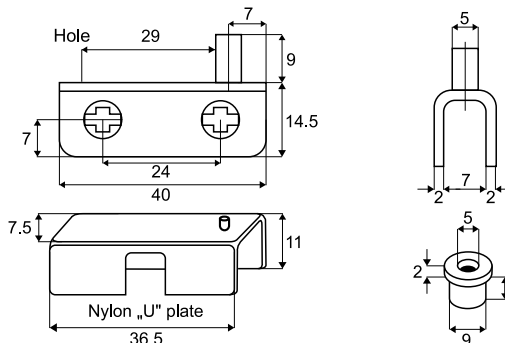
GLASS DOOR HINGE 11.561

Material: Steel
 Chrome plated # 15.06.096
 Black anodized # 15.06.095
 Alu finish # 15.06.098

Mounting:
 Top + Bottom
 Inset Doors, max 5 mm
 Complete with nylon bushings, steel screws & sleeve

Front plate:
 Size: 40 x 15 mm - polished

Optional, to be ordered separately
BALL CATCH # 15.06.076
 Material: Brass
 Size: Ø 8 mm x 13 mm



GLASS PIVOT HINGE "BRASS"

Mounting: Inset doors.
 Complete with brass bushings & softtip screws

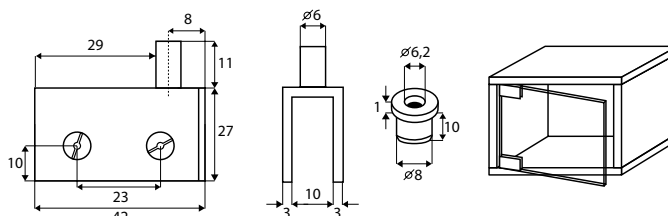
Material: 3 mm brass

Hinge size: 42 x 27 x 16 mm
 (W/H/D)

Bushing size: Ø 8 x 11 mm

Glass thickness: 4 - 8 mm

Chrome plated # 15.06.070
 Alu finish # 15.06.071



GLASS PIVOT HINGES "STAINLESS STEEL"

- NO DRILLING

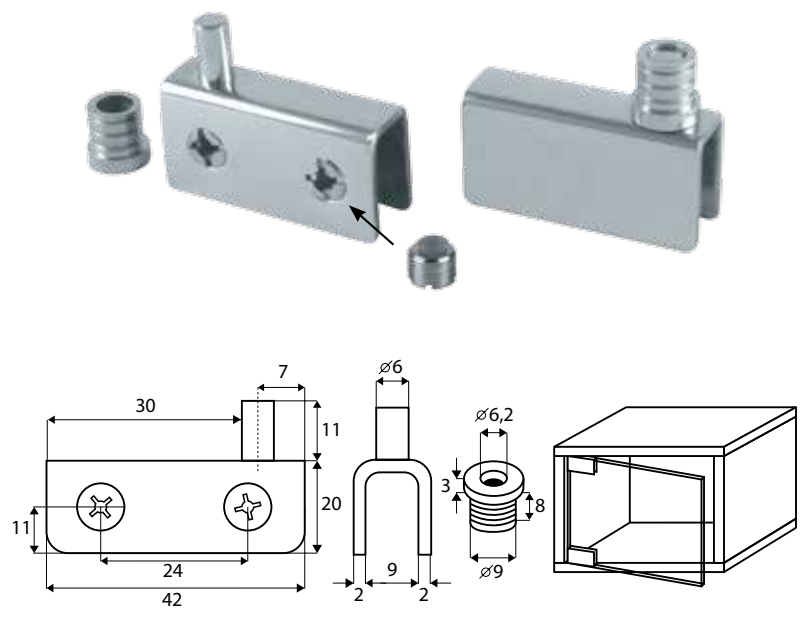
MODEL "SMALL"

Mounting:
Inset doors. Complete with brass bushings & soft tip screws

Material:
2 mm stainless steel, polished

Hinge size: 42 x 20 x 13 mm (W/H/D)
Bushing size: $\varnothing 9 \times 8$ mm
Glass thickness: 6 mm
Item No. # 15.06.060

Packing:
70 pairs per carton



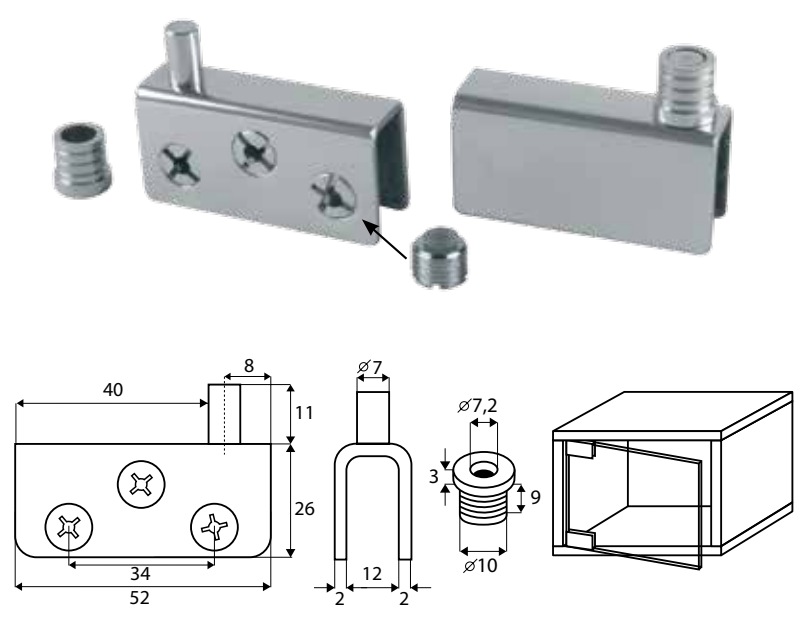
MODEL "MEDIUM"

Mounting:
Inset doors. Complete with brass bushings & soft tip screws

Material:
2 mm stainless steel, polished

Hinge size: 52 x 26 x 16 mm (W/H/D)
Bushing size: $\varnothing 10 \times 9$ mm
Glass thickness: 8 mm
Item No. # 15.06.062

Packing:
70 pairs per carton



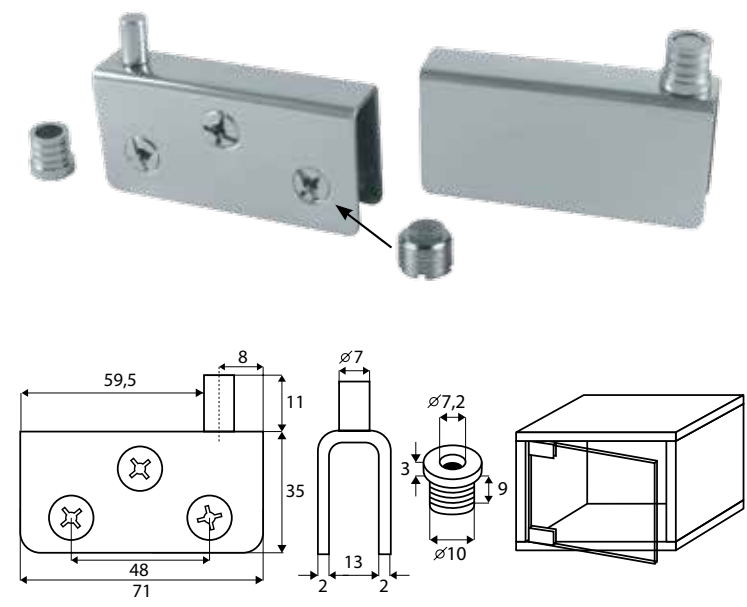
MODEL "LARGE"

Mounting:
Inset doors. Complete with brass bushings & soft tip screws

Material:
2 mm stainless steel, polished

Hinge size: 71 x 35 x 17 mm (W/H/D)
Bushing size: $\varnothing 10 \times 9$ mm
Glass thickness: 10 mm
Item No. # 15.06.064

Packing:
70 pairs per carton



GLASS PIVOT HINGES - NO DRILLING

- high quality furniture fittings

SISO
DENMARK

GLASS DOOR HINGE A-11

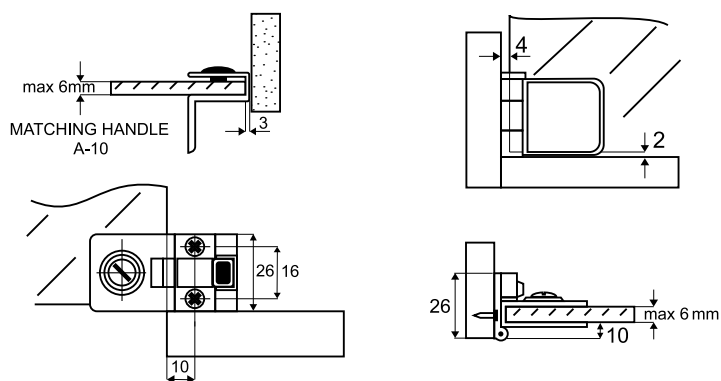
Material: Zamak
 Chrome plated # 15.06.126
 Brass plated # 15.06.120
 Black anodized # 15.06.127

Mounting:
 Inset doors, max 5-6 mm
 Side fixation
 With catch

Front plate:
 Size: 25 x 25 mm - framed
 & sparkled

Matching handle:
 # A-10

Packing:
 Each pair (Right + Left)
 incl. pads/cushions is packed
 in a polybag
 200 pairs per box



GLASS DOOR HINGE 11-100

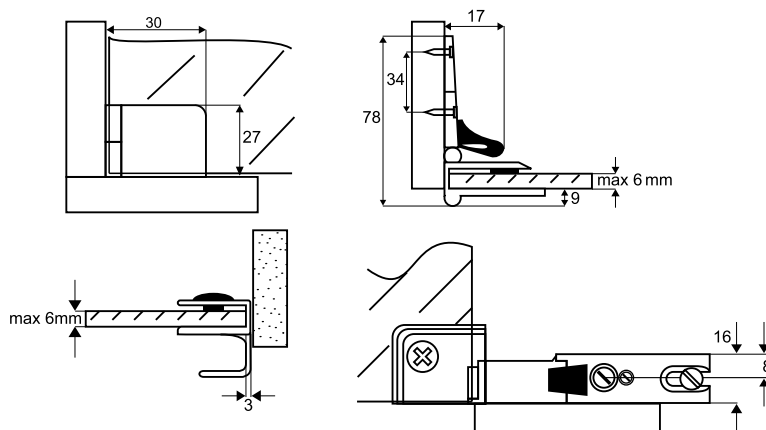
Material: Zamak
 Chrome plated # 15.06.025

Mounting: Side fixation
 Inset doors, max 4-6 mm
 Max door size: 800 x 350 mm
 - 4 Kilos
 With catch

Front plate:
 Size: 27 x 23 mm, sparkled

Matching handle: # 11.200

Packing:
 Each pair (Right + Left)
 incl. pads/cushions is packed
 in a polybag
 40 pairs per box
 200 pairs per export carton



GLASS PIVOT HINGES - NO DRILLING

GLASS DOOR HINGE D-13/2

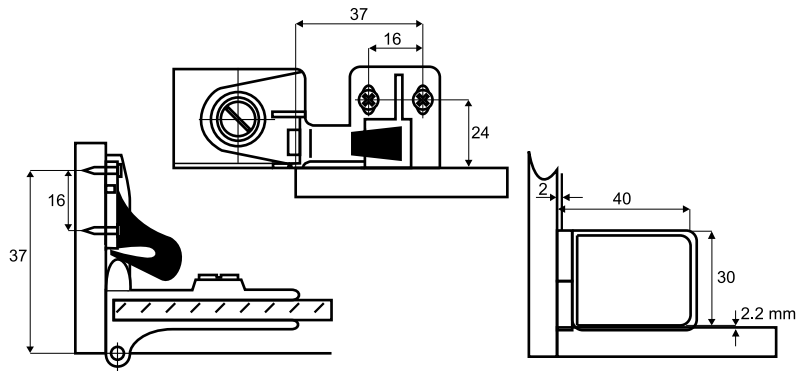
Material: Zamak
 Chrome plated # 15.06.102
 Bronze plated # 15.06.103
 Black anodized # 15.06.105

Mounting:
 Inset doors, max 5 mm
 Max door size 1000 x 600 mm
 With catch

Front plate:
 Size 40 x 30 mm
 sparkled

Matching handle:
 # D-12, D-12/2, D-120

Packing:
 Each pair (right + left) incl. pads/cushions
 is packed in a polybag
 50 pairs per box
 200 pairs per export carton



GLASS DOOR HINGE C-13

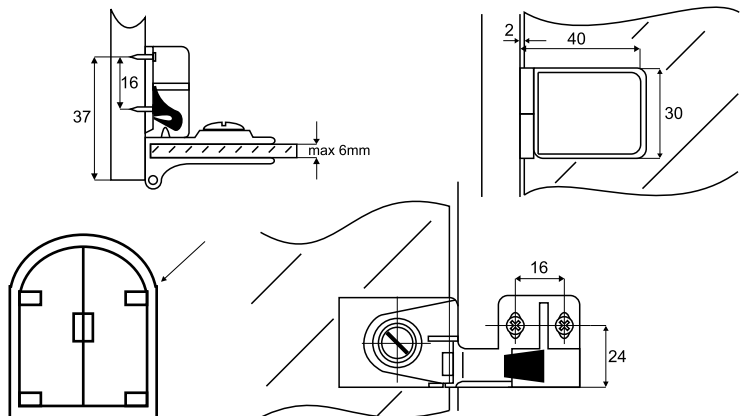
Material Zamak L/R
 Chrome plated # 15.06.311/321
 Brass plated # 15.06.310/320
 Bronze plated # 15.06.312/322
 Black anodized # 15.06.313/323

Mounting
 Inset doors, max 5 mm
 Centre- or Top fixation for
 rounded doors
 With catch

Front plate
 Size: 40 x 30 mm - framed
 & sparkled

Matching handle
 # D-12, D-12/2 & D-120

Packing
 100 pairs per box
 400 pairs per export carton



LIFT-OFF BUTT HINGE SS 304 FOR UV-GLUE

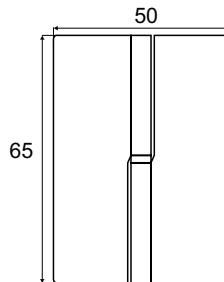
Mounting: By UV-glue B 682-0 from Bohle.
UV-lamp is needed

Material: 2,5 mm stainless steel 304 - polished

Hinge size: 65 X 50 mm (H/W)

Function: Inset doors
Max door width 500 mm
Load capacity: 7,5 KG per pair
Opening angle 270°
Glass thickness: 4-8 mm

Right hand: # 15.13.590
Left hand: # 15.13.600



BUTT HINGE SS 304 FOR UV-GLUE

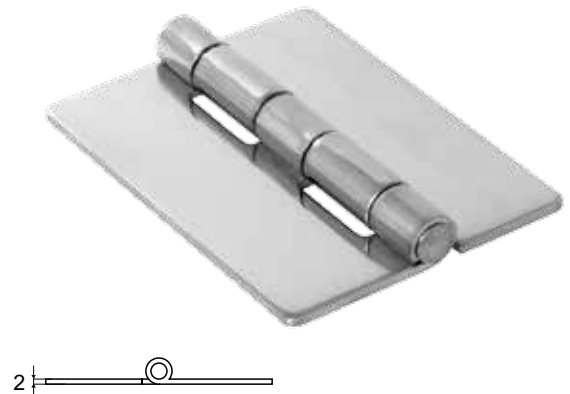
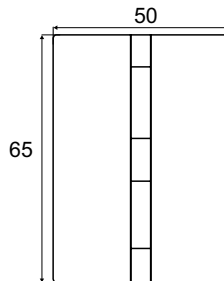
Mounting: By UV-glue B 682-0 from Bohle.
UV-lamp is needed

Material: 2 mm stainless steel 304 - polished

Hinge size: 65 x 50 mm (H/W)

Function: Inset doors
Max door width 500 mm
Load capacity: 7,5 KG per pair
Opening angle 270°
Glass thickness: 4-8 mm

Item No: # 15.13.105



BRASS BUTT HINGE FOR UV-GLUE

Mounting: By UV-glue B 682-0 from Bohle
UV-lamp is needed

Material: 2,9 mm Brass - Chrome Plated

Hinge size: 60 x 60 mm (H/W)

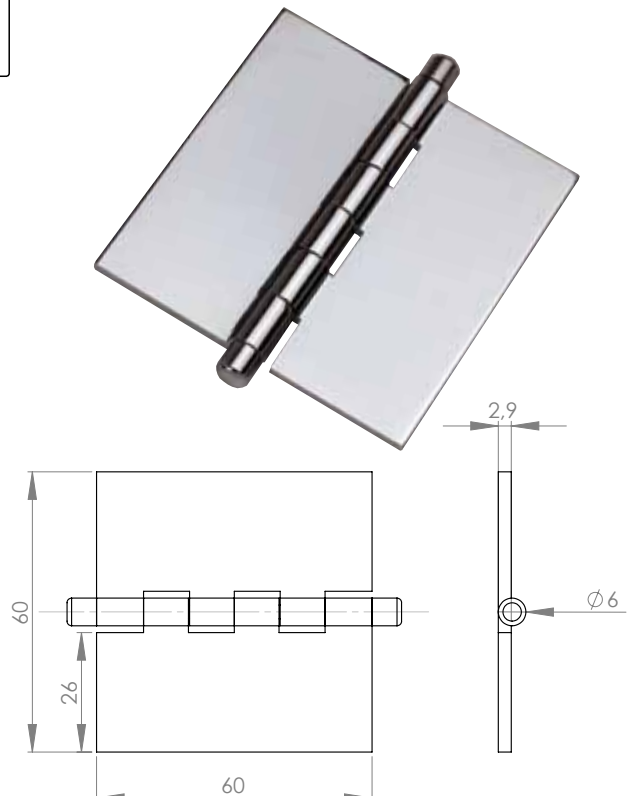
Function: Inset doors
Max door width 500 mm

Load Capacity: 7,5 Kg per pair

Opening: 270°

Glass thickness: 4-8 mm

Finish: Chrome Plated (CPL) # 15.13.110
SS-Look (nickel brushed) # 15.13.111



GLASS DOOR HINGE FOR UV-GLUE

PIVOT HINGE SS 304 FOR UV-GLUE

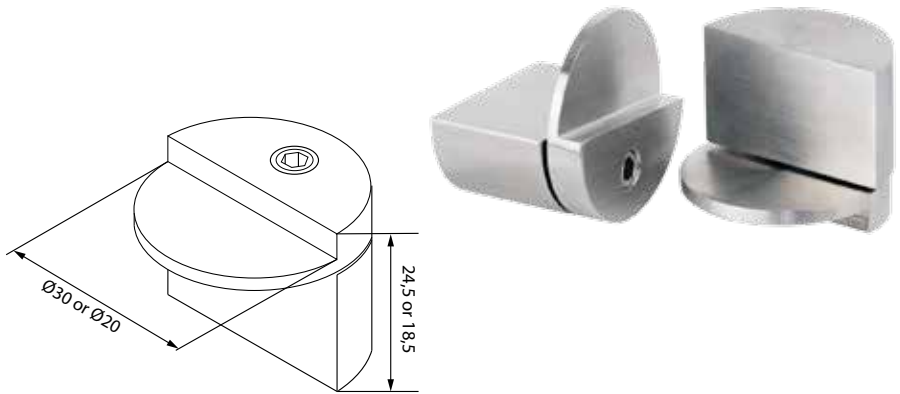
Mounting: By UV-glue B 682-0 from Bohle.
UV-lamp is needed

Material: Brushed SS-304

Function: Pivot hinge for UV-glue, max. 12 mm glass thickness, max load cap- 10 Kg.
A threaded pin in the hinge allows the door to be removed after gluing

Item No:

- Pivot hinge Ø20 mm. # 15.06.015
- Pivot hinge Ø30 mm. # 15.06.016



PIVOT HINGE SS 304 FOR UV-GLUE

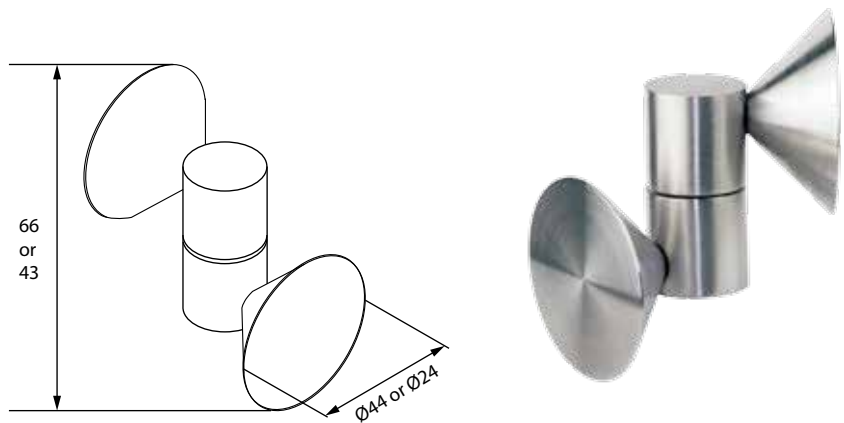
Mounting: By UV-glue B 682-0 from Bohle.
UV-lamp is needed

Material: Brushed SS-304

Function: Pivot hinge for UV-glue, max. 10 mm glass thickness, 180 degree. max load cap. 5 Kg. pr hinge.
A threaded pin in the hinge allows the door to be removed after gluing

Item No:

- Pivot hinge Ø24 mm. # 15.06.010
- Pivot hinge Ø44 mm. # 15.06.011



MAGNETIC CATCH FOR UV-GLUE, SS 304

Mounting: By UV-glue B 682-0 from Bohle.
UV-lamp is needed

Material: Brushed SS-304

Function: Magnetic catch for UV-glue, magnetic locking force 2 Kg.

Item No:

- Magnetic catch 30x12x12 mm. # 22.01.140
- Magnetic catch 11x12x12 mm. # 22.01.145

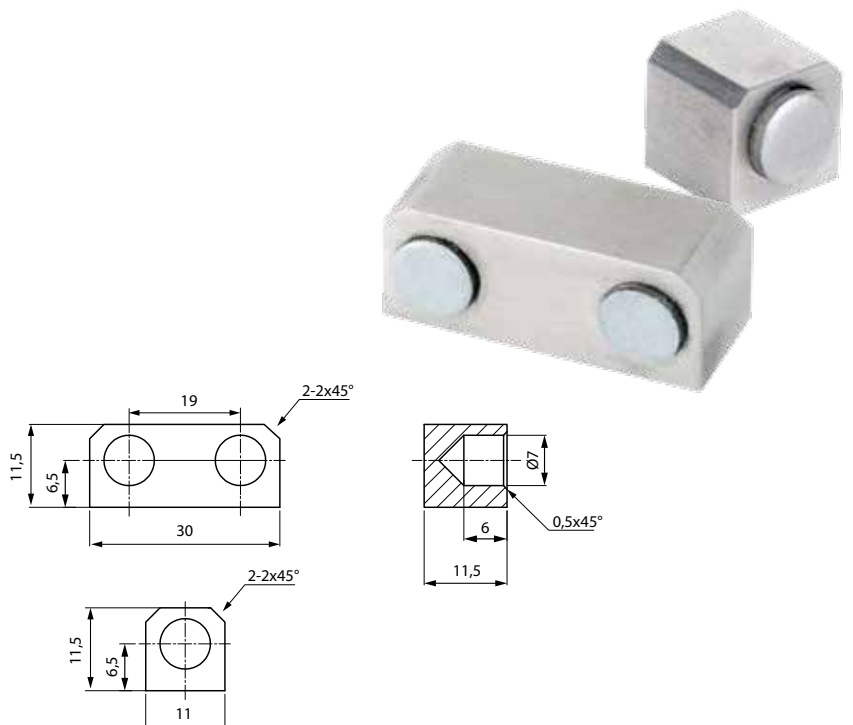


TABLE HINGES

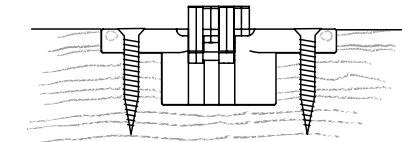
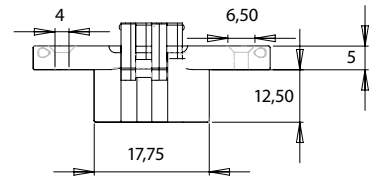
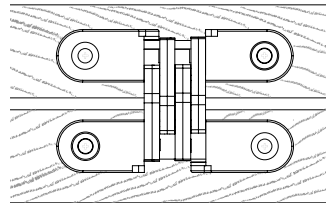
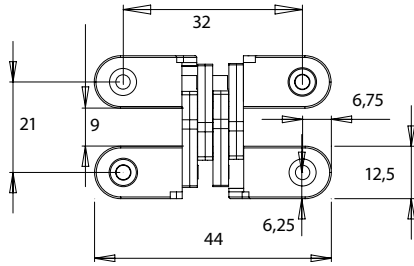
- high quality furniture fittings



VICI HINGE - ZAMAK w/ STEEL LINKAGE - 180°

Material	Body:	Zamak
	Linkage:	Steel
Finish:	Yellow Zinc Plated (YZP)	
Size:	44 x 12,5 mm	
Screw Hole:	ø 4 mm - c/c 32 mm	
Item No.:	# 15.07.115	

Other sizes and finishes on request



VICI HINGE - ZAMAK w/ SS LINKAGE - 180°

Material	Body:	Zamak
	Linkage:	Stainless Steel (SS)
Finish:	Body:	Stainless Steel look- Brushed
	Linkage:	Plain

Incl. 4 CSK chip board screws

A	B	C	D	E	F	G	H	I	J	K	Item No.
45 mm	13 mm	21 mm	32 mm	8 mm	7 mm	18,5 mm	12 mm	5 mm	6,5 mm	4 mm	15.07.120
60 mm	13 mm	21 mm	47 mm	9 mm	7 mm	32 mm	12 mm	6 mm	7,5 mm	5 mm	15.07.121
70 mm	16 mm	26 mm	55 mm	11 mm	8 mm	34 mm	16 mm	7 mm	8 mm	5 mm	15.07.122
95 mm	19 mm	32 mm	75 mm	13,5 mm	10 mm	51,5 mm	17 mm	10 mm	10 mm	6 mm	15.07.123
* 118 mm	27 mm	50 mm	88 mm	23 mm	11 mm	63 mm	28 mm	12 mm	13 mm	7 mm	15.07.124
* 139 mm	35 mm	45,5/ 80 mm	104/ 113,5mm	27 mm	18,5/ 12,75	72 mm	37 mm	12 mm	11 mm	6 mm	15.07.125

* For heavy duty doors

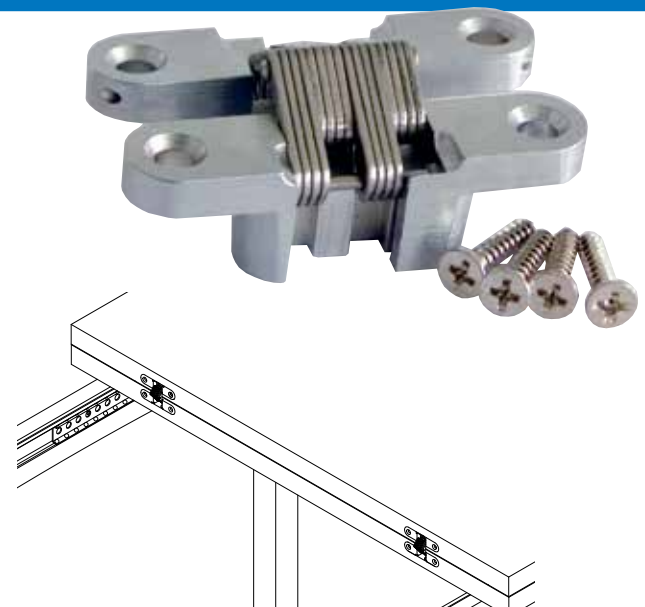
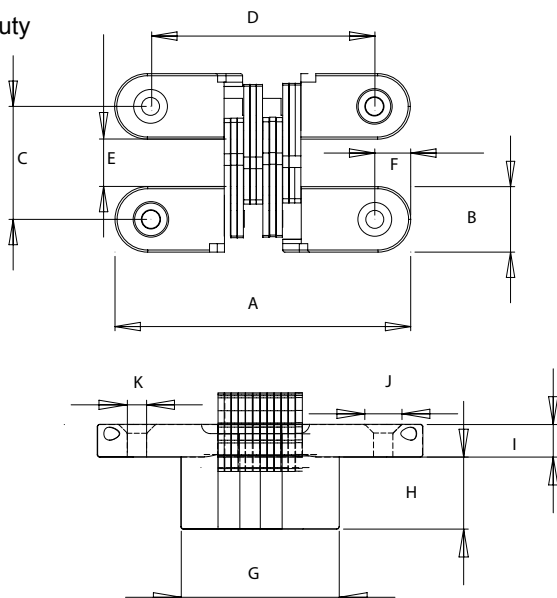
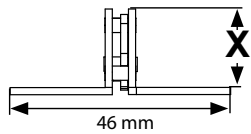
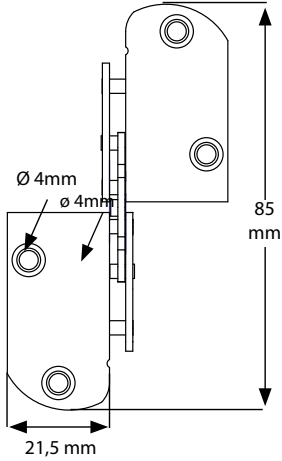


TABLE HINGES

ELU TABLE HINGE 180°



Material: Steel, Yellow Zinc Plated (YZP)
Over all Size: 85 mm x 46 mm

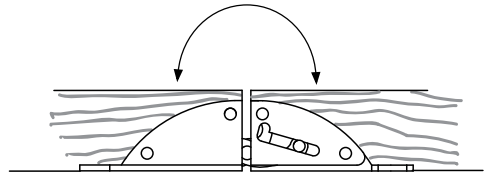
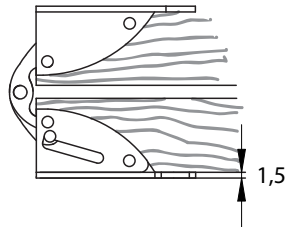
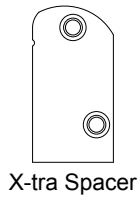
Panel Size X	Item No.	Panel Size X	Item No.
16 mm	# 15.80.110	23 mm	# 15.80.145
18 mm	# 15.80.120	25 mm	# 15.80.155
19 mm	# 15.80.125	30 mm	# 15.80.170
20 mm	# 15.80.130	32 mm	# 15.80.025 (BPL)
22 mm	# 15.80.140		

Spacer For Panel Thickness Reduction = SFPTR*

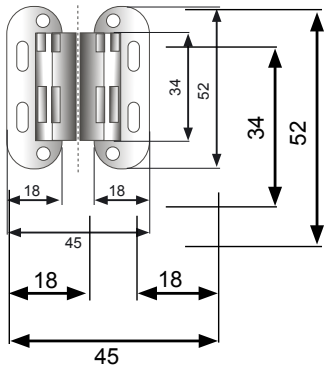
SFPTR*	Item No.	SFPTR*	Item No.
1 mm	# 15.80.000	2 mm	# 15.80.001

The Spacer gives you the possibility to operate with only one hinge size even though you use different panel thicknesses in your production.

Example: Take a Hinge for 18 mm panel thicknesses and add a 2 mm spacer. Now you can use the hinge for 16 mm panel thickness.



SEPA HINGE 180°



Material: Zamak
Panel thickness: Min. 26 mm
Size: 52 x 18 x 2 mm
Item No. # 15.04.076

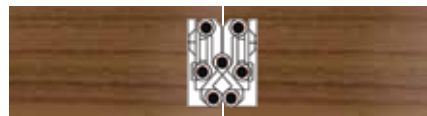
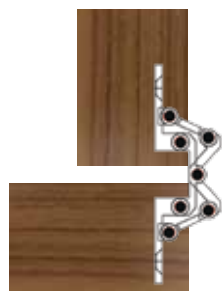
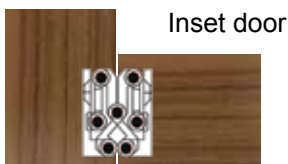
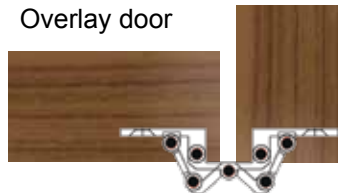


Table leaves

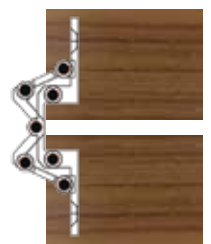


TABLE HINGES

- high quality furniture fittings



TABLE FLAP HINGE

- f/ 22 mm PANEL - 180°

Material:
 Body: Nylon
 Linkage: Zamak

Bore Size: \varnothing 35 mm and \varnothing 25 mm
 Hole Depth: 19 mm

Finish

Body:	Linkage:	Item No.
Beige	Yellow Zinc	# 15.80.200
Black	Black Zinc	# 15.80.201

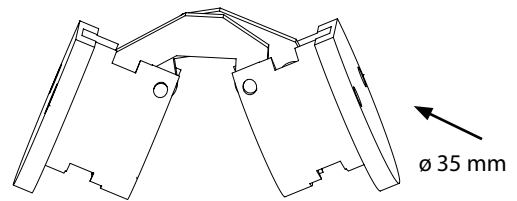
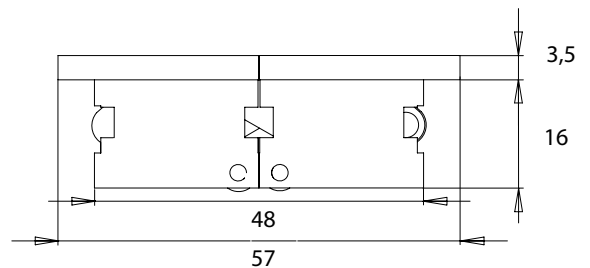
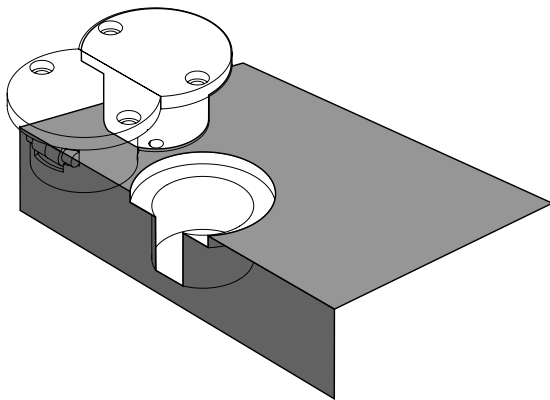
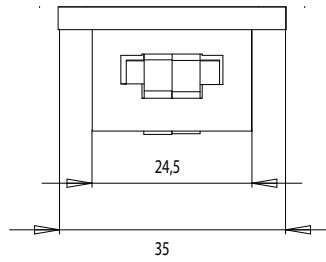


TABLE FLAP HINGE "ZAMAK"

Material: Body: Zamak, Yellow Zinc Plated
 Linkage: Steel, Yellow Zinc Plated

Over all size: 108 x 40 x 3 mm

Panel size: 20 mm # 15.80.175
 Panel size: 27 mm # 15.80.180

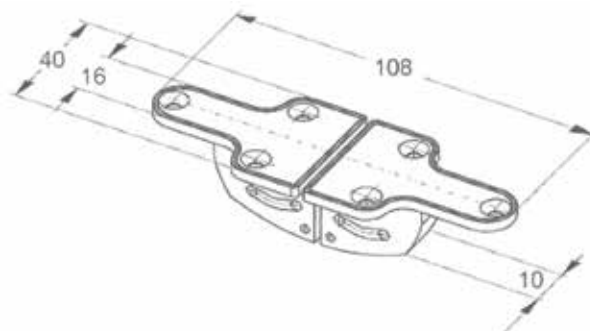
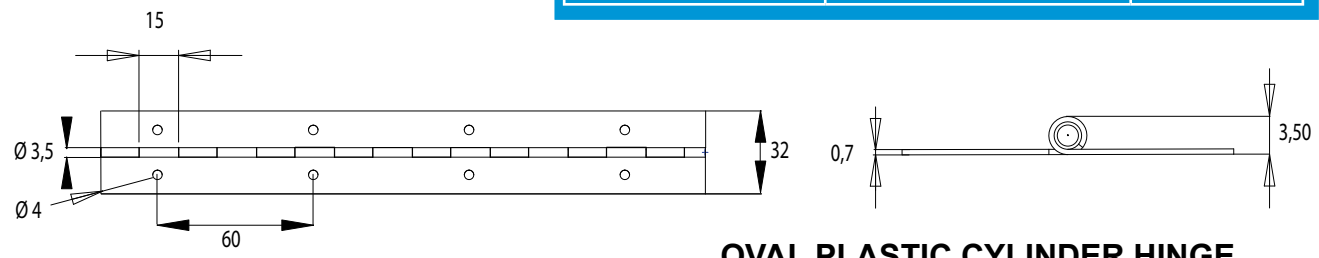


TABLE HINGES

PIANO HINGE



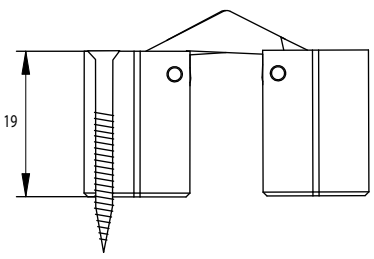
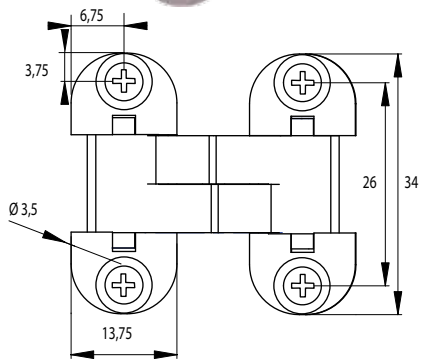
Material:	Steel	
Screw hole:	ø 4 mm - c/c 60 mm	
Size	Finish	Item No.
32 x 0,7 x 1830 mm	Brass Plated Lacquered	# 15.12.076
32 x 0,7 x 1830 mm	Nickel Plated	# 15.12.075



OVAL PLASTIC CYLINDER HINGE - w/ BRASS LINKAGE - 180°



Material	Body :	Nylon
	Linkage:	Brass
Size:	34 x 14 mm	
Screw hole:	ø 3,5 mm - c/c 25 mm	
Finish:		
Body	Linkage	Item No.
Brown	Bronze Plated	# 15.07.165
Black	Burnished	# 15.07.166
White	Nickel Plated	# 15.07.167



VICI HINGE - STEEL 180°



Material	Steel	
Size:	65 x 13 mm	
Screw hole:	ø 4 mm - c/c 52 mm	
Finish	Item No.	
Brass Plated	# 15.07.010	
Bronze Plated	# 15.07.015	
Other Sizes on request		

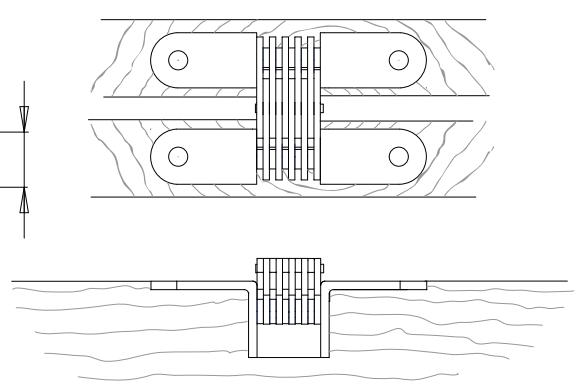
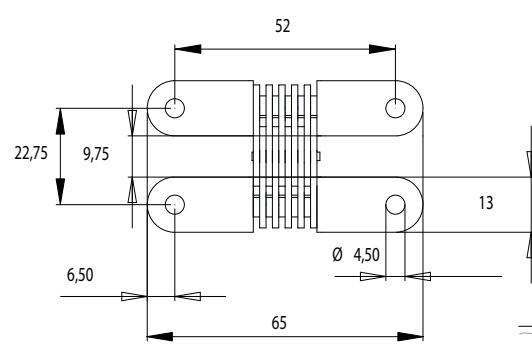
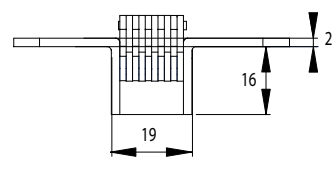


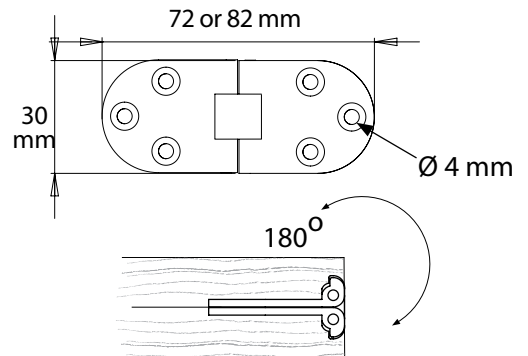
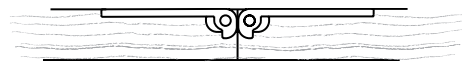
TABLE HINGES

- high quality furniture fittings

SEWING MACHINE TABLE HINGE

Material: Brass or Stainless Steel (SS)
Screw Holes: Ø 4.0 mm

Sizes	Finish	Item. No
30 x 72 x 2.0 mm	Brass Sanded	# 15.11.350
30 x 72 x 2.0 mm	Nickel Satin	# 15.11.355
30 x 72 x 2.0 mm	Bronzed	# 15.11.370
30 x 72 x 2.0 mm	SS Polished	# 15.11.390
30 x 72 x 2.0 mm	SS Brushed	# 15.11.391
30 x 80 x 2.0 mm	Brass Sanded	# 15.11.310

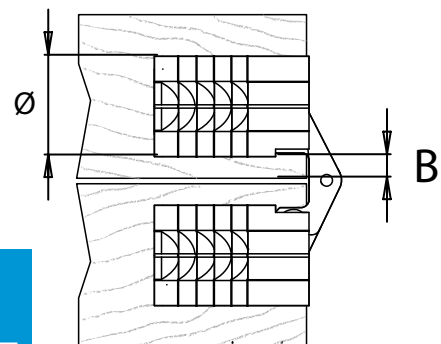
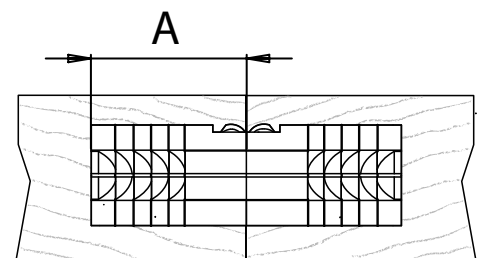


BRASS CYLINDER HINGE w/ SS PIN & SCREWS

Material: Body and Linkage: Brass
Pin and Screws: Stainless Steel (SS)
Finish: Brass Natural

Sizes	Item No	A*	B*
Ø 10 mm	# 15.07.345	11,0 mm	2,0 mm
Ø 12 mm	# 15.07.346	13,5 mm	2,2 mm
Ø 14 mm	# 15.07.347	15,5 mm	3,0 mm
Ø 16 mm	# 15.07.348	16,5 mm	3,0 mm
Ø 18 mm	# 15.07.349	17,5 mm	3,0 mm
Ø 24 mm	# 15.07.350	25,0 mm	4,5 mm

* See illustration A and B for measurement



PLASTIC CYLINDER HINGE w/ STEEL LINKAGE

Material: Body: Nylon
Linkage: Steel, Yellow Zinc Plated

Sizes	Finish	Item No	A*	B*
Ø 12 mm	Beige	# 15.07.202	18,0 mm	2,5 mm
Ø 12 mm	Dark Brown	# 15.07.203	18,0 mm	2,5 mm
Ø 14 mm	Beige	# 15.07.222	15,5 mm	2,5 mm
Ø 14 mm	Dark Brown	# 15.07.223	15,5 mm	2,5 mm

* See illustration A and B for measurement

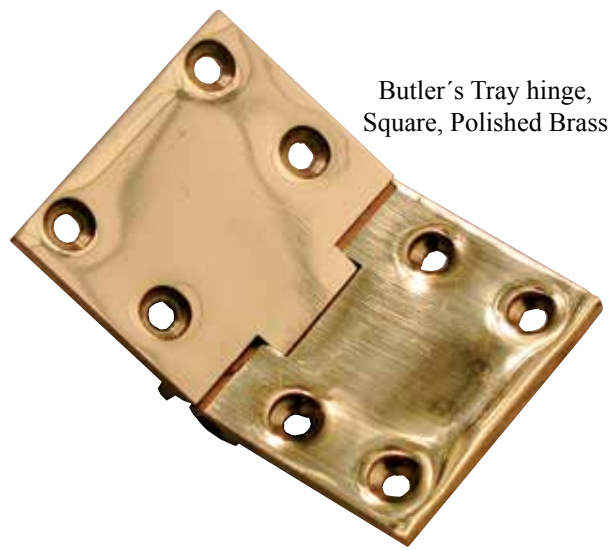


BUTLER'S TRAY HINGE SQUARE W/STEEL SPRING

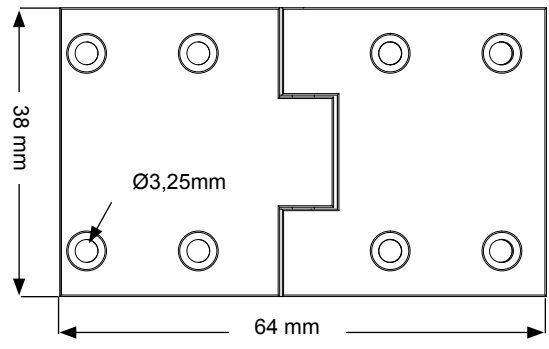
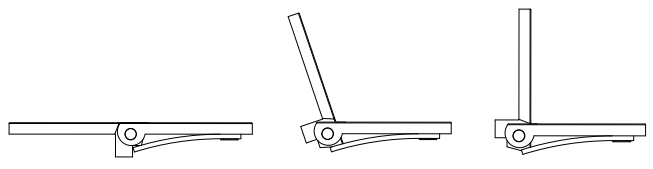
Material: Brass

Screw holes: Ø3,25

Type:	Size	Finish	Item No.
Square	38 x 64 x 3 mm	Sanded	15.11.160
Square	38 x 64 x 3 mm	Polished	15.11.161



Butler's Tray hinge, Square, Polished Brass



BUTLER'S TRAY HINGE ROUND W/STEEL SPRING

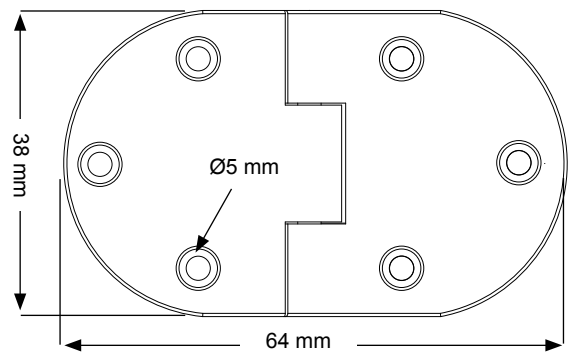
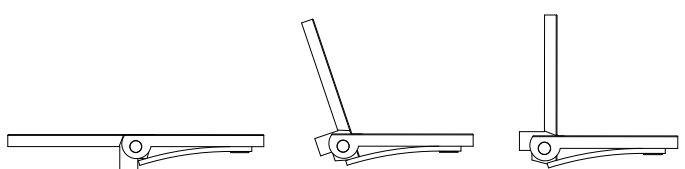
Material: Brass

Screw holes: Ø5 mm

Type:	Size	Finish	Item No.
Oval	38 x 64 x 3 mm	Sanded	15.11.165
Oval	38 x 64 x 3 mm	Polished	15.11.166



Butler's Tray hinge, Round, Polished Brass



CARAVAN HINGES

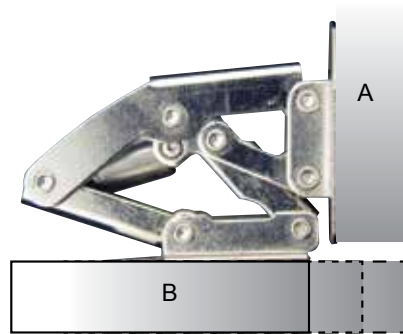
- high quality furniture fittings



MIGNON HINGE 90° Spring loaded



Material:	Steel 1,5 mm or SS 304	
Finish:	Nickel Plated (NPL) Bright Zinc Plated (BZP)	
Panel thickness:	Max. 20 mm	
Item No.	Steel NPL	# 15.05.061
	Steel BZP (extra strong spring)	# 15.05.051
	SS 304	# 15.05.065



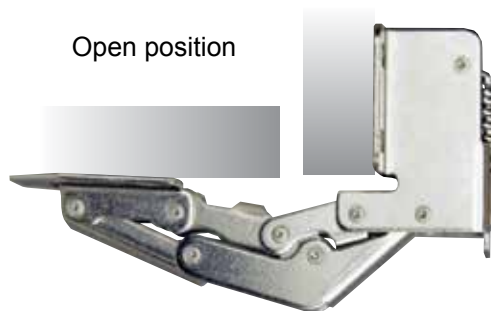
Full overlay - Half overlay - Inset doors

SPRING LOADED CARAVAN HINGE



Material:	Steel 1,5 mm
Finish:	Nickel Plated (NPL)
Panel thickness:	Max. 19 mm
Item No.	# 15.05.120

Open position



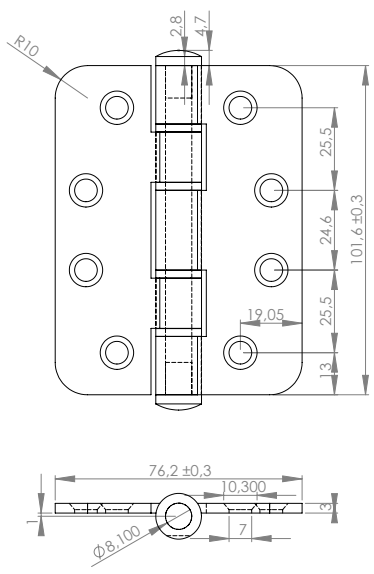
Closed position



DOOR HINGES SS-304 (HEAVY DUTY)



BUTT HINGE "ROUND"

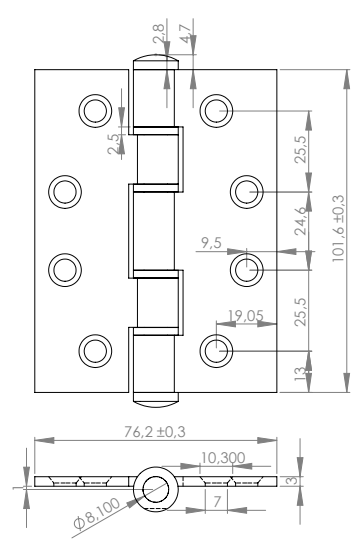


MODEL "ROUND"

Material: Stainless Steel 304
 Size: 102 x 76 x 3 mm
 Screw hole: Ø7 mm
 w/4 ss-washers
 Item No. # 15.20.116



BUTT HINGE "SQUARE"

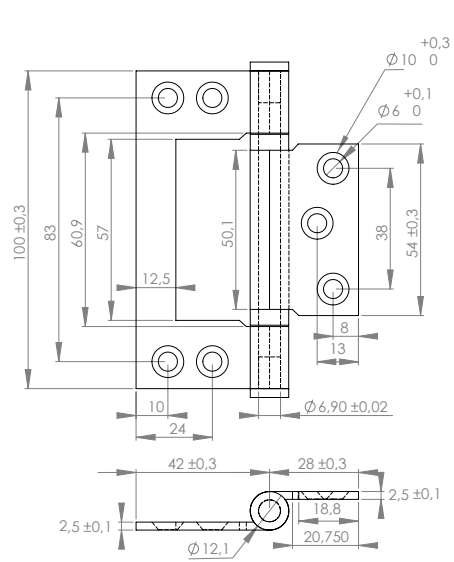


MODEL "SQUARE"

Material: Stainless Steel 304
 Size: 102 x 76 x 3 mm
 Screw hole: Ø7 mm
 w/4 ss-washers
 Item No. # 15.20.115



BUTT HINGE "FLUSH"



MODEL "FLUSH"

Material: Stainless Steel 304
 Size: 100 x 70 x 2.5 mm
 Screw hole: Ø7 mm
 w/2 ss-ball bearing washers
 Item No. # 15.20.100

DOOR HINGES SS-304 (HEAVY DUTY)

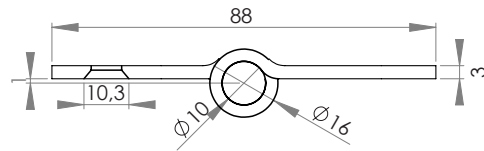
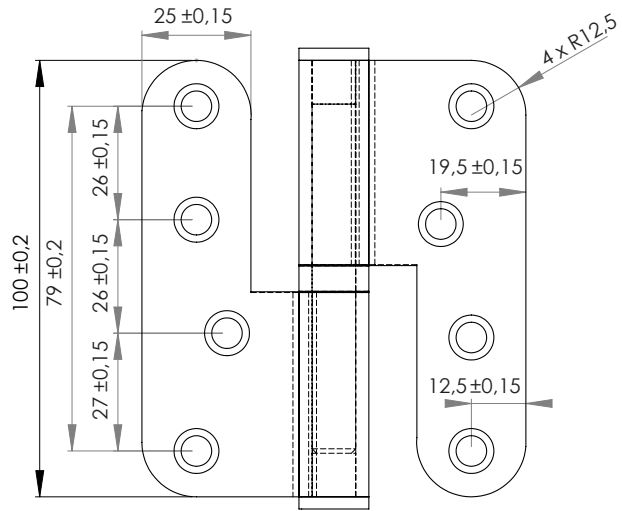
- high quality furniture fittings



BUTT HINGE "LIFT OFF" RIGHT

MODEL "LIFT-OFF RIGHT"

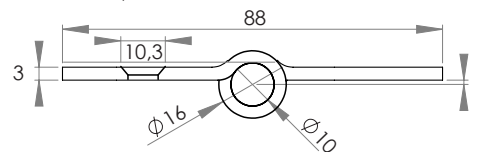
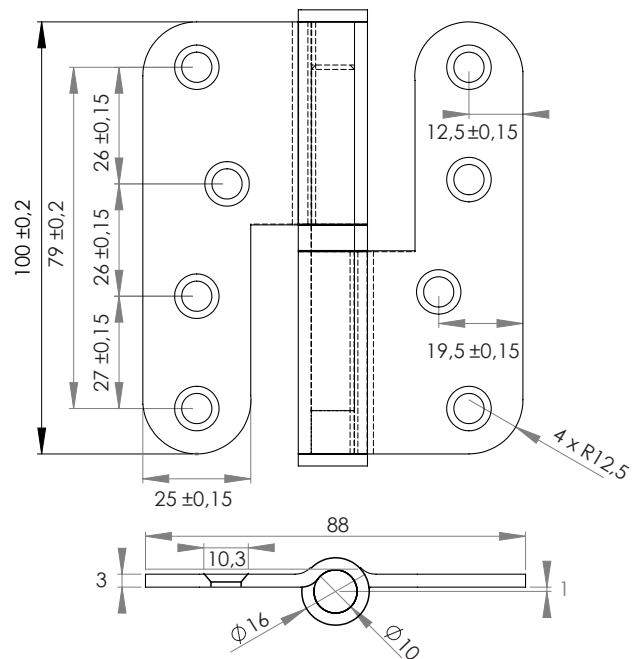
Material:	Stainless Steel 304
Size:	100 x 88 x 3 mm
Screw hole:	Ø7 mm w/1 ss-ball bearing washers
Item No.	# 15.20.106



BUTT HINGE "LIFT OFF" LEFT

MODEL "LIFT-OFF LEFT"

Material:	Stainless Steel 304
Size:	100 x 88 x 3 mm
Screw hole:	Ø7 mm w/1 ss-ball bearing washers
Item No.	# 15.20.105

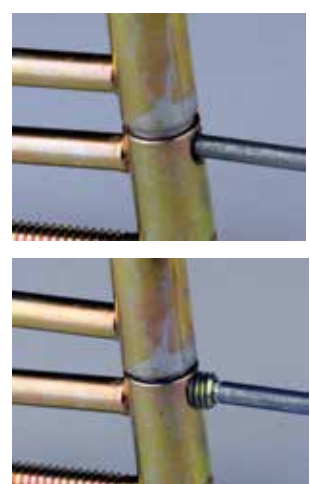


PIN DOOR HINGE (HEAVY DUTY)

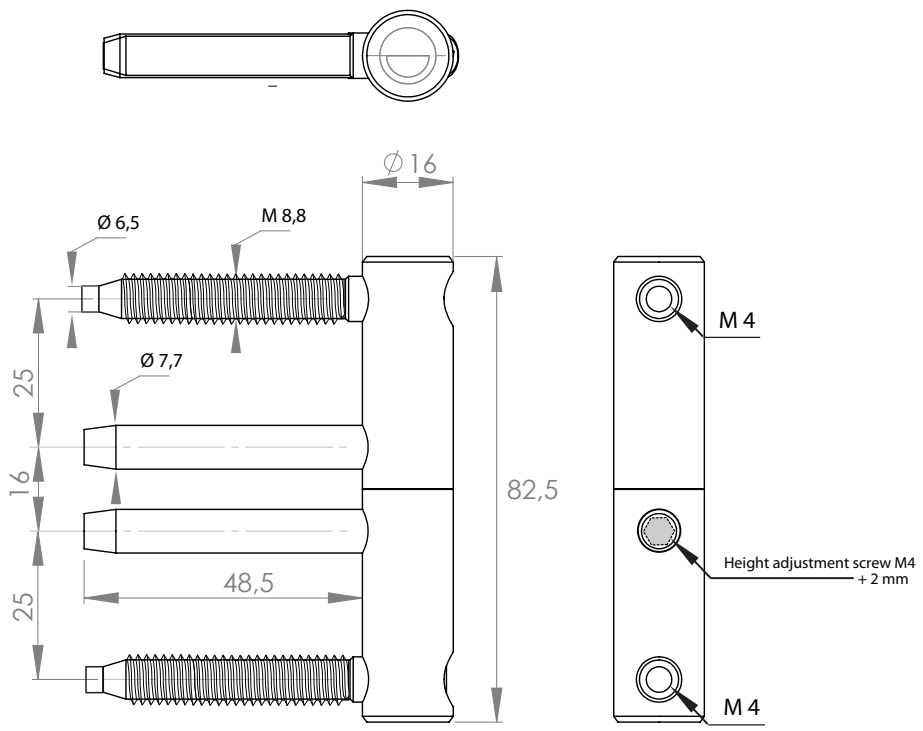


Hex key to be ordered separately

Application:	For heavy duty doors w/height adjustment function.
Size:	Ø16 x 82,5 mm (25-16-25 mm)
Material:	Steel
Finish:	Yellow Zinc Plated (YZP)
Item No.	# 15.08.000
Other sizes on request	



2 mm height adjustment



PIN DOOR HINGE (HEAVY DUTY)

- high quality furniture fittings



Application: For heavy duty doors w/height adjustment function.

Material: Steel

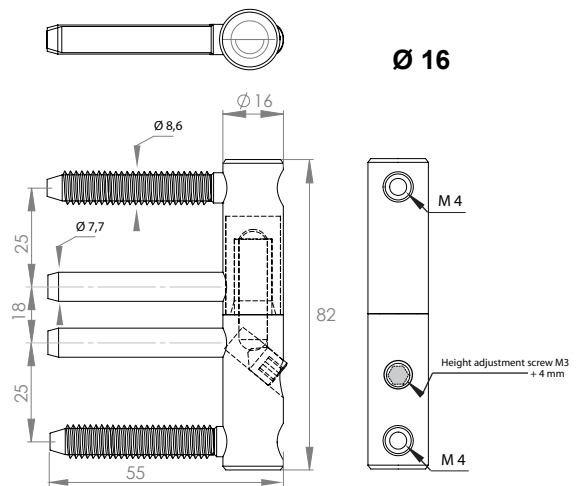
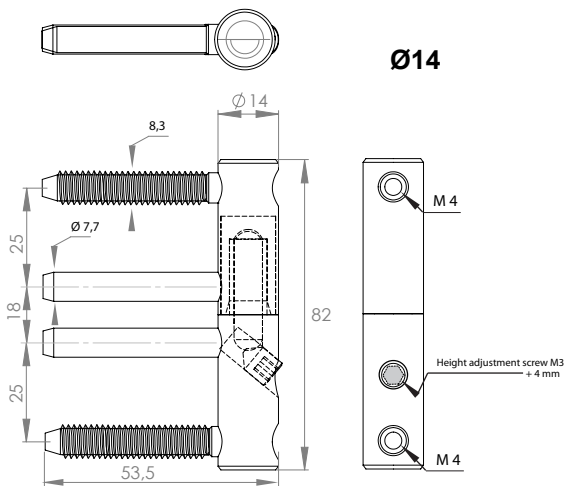
Size: $\text{Ø}14 \times 82 \text{ mm (25-18-25 mm)}$

Finish: Yellow Zinc Plated (YZP) # 15.07.950
Bright Zinc Plated (BZP) # 15.07.951

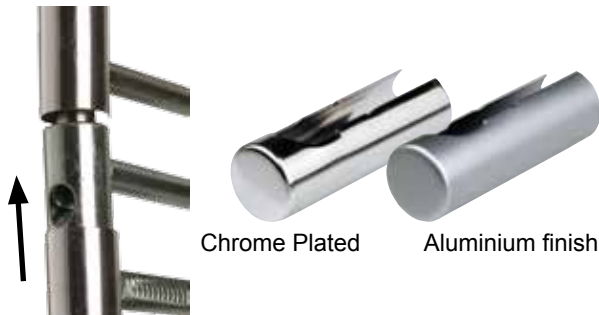
Size: $\text{Ø}16 \times 82 \text{ mm (25-18-25 mm)}$

Finish: Yellow Zinc Plated (YZP) # 15.08.005
Bright Zinc Plated (BZP) # 15.08.006

Other sizes on request



ALUMINIUM COVER CAP & DRILLING JIG



Application: Cover for pin door hinge

Material: Aluminium

Size: $\text{Ø}14 \times 46,5 \text{ mm}$

Finish: Chrome Plated (CPL) # 15.07.955
Aluminium finish # 15.07.956

Size: $\text{Ø}16 \times 46,5 \text{ mm}$

Finish: Chrome Plated (CPL) # 15.08.010
Aluminium finish # 15.08.011

Other finishes on request

Drilling Jig: # 15.07.970

Drilling Jig 15.07.970

VICI DOOR HINGE (HEAVY DUTY)

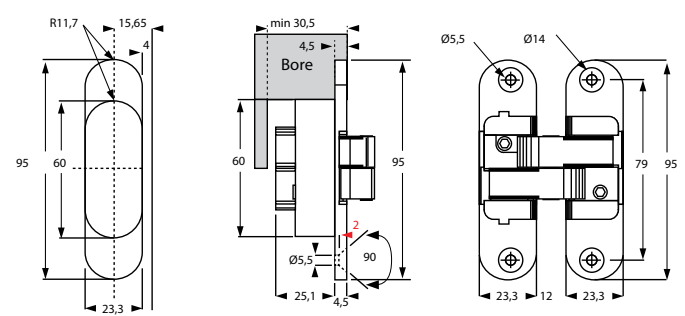
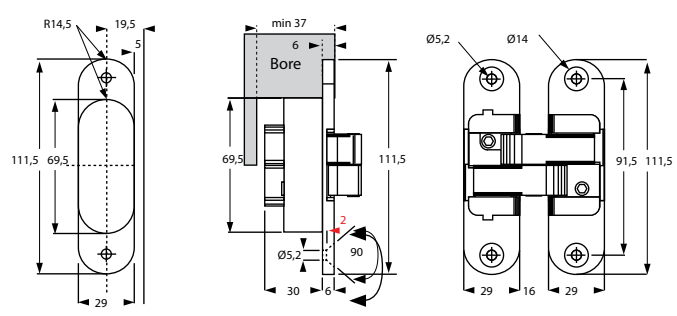
3-D ADJUSTMENT

Application:	For heavy duty doors w/3-D adjustment function.	
Door thickness:	Min. 30 mm (15.08.100 & 15.08.105) Min. 40 mm (15.08.110 & 15.08.115)	
Opening:	180 degree	
Max. door size:	W:1000 x H:2700 mm (max. 60 kg. 3 hinges)	
Material:	Zamak	
Size:	95 x 23,3 x 29,6 mm (L/W/D)	
Finish:	Aluminium finish, left hand	# 15.08.100
	Aluminium finish, right hand	# 15.08.105
Size:	111,5 x 29 x 36 mm (L/W/D)	
Finish:	Aluminium finish, left hand	# 15.08.110
	Aluminium finish, right hand	# 15.08.115



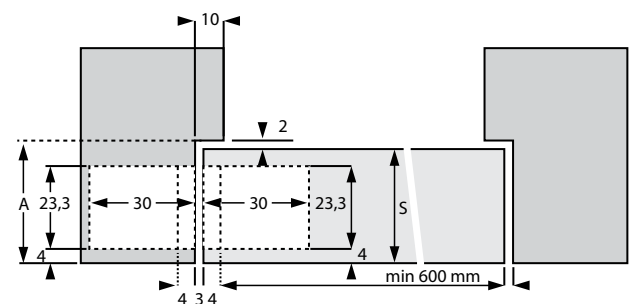
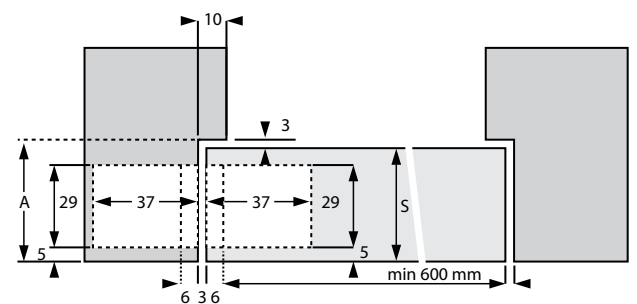
Size: 111,5 x 29 x 36 mm

Size: 95 x 23,3 x 29,6 mm



Size: 111,5 x 29 x 36 mm

Size: 95 x 23,3 x 29,6 mm



Size A is calculated using door thickness +3 mm+gasket thickness. S = min. 40 mm

Size A is calculated using door thickness +2 mm+gasket thickness. S = min. 30 mm



Right hand model

Left hand model



A series of horizontal dotted lines spanning the width of the page, intended for handwritten notes.



- high quality furniture fittings

SISO A/S

Mileparken 11 Phone: (+45) 45 830 900
DK - 2740 Skovlunde (Copenhagen) Fax: (+45) 45 830 444
Denmark E-mail: siso@siso.dk Web: www.siso.dk