

SISO LOCKS



- high quality furniture fittings



The technical descriptions and dimensions in this catalogue, also those with the photographs and drawings, are not binding. We reserve the right to make design improvements.

We bear no liability for any misprints or other errors that might occur in the production of the catalogue.

SISO A/S tager forbehold for trykfejl samt ændringer i produktets specifikationer.

Für Druckfehler und Irrtümer ist jede Haftung ausgeschlossen. Produktänderungen behalten wir uns vor.



- high quality furniture fittings

SISIO A/S
MILEPARKEN 11
DK - 2740 SKOVLUNDE
(COPENHAGEN)
DENMARK
PHONE: (+45) 45 830 900
FAX: (+45) 45 830 444

DISTRIBUTOR

CONTENT

"MIC" SYSTEM.....	5
RIM LOCKS.....	6-14,30
SLAM LOCKS.....	15-16
ROLL BLIND LOCKS.....	17-18
SHUTTER/SLIDING DOOR LOCKS.....	19-20
CAM LOCKS.....	21-26
PUSH LOCKS.....	27-29
WINDOW LOCKS.....	30
PADLOCKABLE CAM LOCKS.....	31-32
COMBINATION PADLOCK.....	33
CENTRAL LOCKS.....	34-38
FLAP LOCKS.....	39
BOX LOCKS.....	40



MORTISE LOCKS.....41-42



FURNITURE KEYS.....43-44



ESCUTCHEONS.....45



ESPAGNOLETTE LOCKS.....46-52



METAL FURNITURE LOCKS.....53-58



LOCK ACCESSORIES.....59-65



CAM PLATES.....66-72



GLASS DOOR LOCKS.....73-89



COMBINATION LOCKS W/DIGIT'S.....90-95



BRASS PROFILE CYLINDERS.....96-97



DOOR LOCKS.....98-99



GUN LOCK W/DIGIT'S.....100



COIN DEPOSIT LOCK.....101



ELECTRONIC LOCKS.....102-106



PRESENTATION

Our locks are mainly made of zamak and are as standard supplied with 6 wafers, giving 400 different key combinations. **Master key system** and **Interchangeable Cylinders** are also available.

Some models are available with laser cut "Snake" keys, granting 1000 key combinations. Keys are made of solid brass material. Some models are with brass pins & tubular keys, granting 2000 key combination.

All locks are supplied as standard with 1 rosette and 2 double dented keys, marked with combination numbers.

Keys are as standard supplied with black nylon cover, and can also be supplied as "**hinged**" type. However the keys may also be supplied all metal.

Optional: Locks may be supplied with key combination number already prestamped on the cylinders. Locks with **Master key & Interchangeable system (MIC)** are as standard supplied with key combination number already **prestamped on the cylinders**.

You may ask for your own designed key and logo. Only you have to order minimum 10,000 keys (= 5000 locks of different models).

ABBREVIATIONS/SYMBOLS

- K/A = *Key Alike (all locks with same key code)*
- K/D = *Key to Differ (all locks with different key code)*
- NPL = *Nickel Plated*
- BPL = *Brass Plated*
- CPL = *Chrome Plated*
- ALU = *Matt Chrome*
- BRZ = *Bronze Plated*
- Backset = *Distance from centre of key entrance to the edge of the lock, where the locking tongue protrudes.*
- M** = ***Master Key System.*** *We offer 5 different Master Key groups named: J-11, J-12, J-13, J-14 or J-15. The groups J-11 and J-12 are stock items. Other groups require a certain delivery time. Master keys are covered with white nylon and marked with Master key Group number, f.inst. J-12. This master key can open all 400 different key combinations within this group.*

MIC = *Master key & Interchangeable Cylinder*. Apart from a few models, most of our locks may be supplied with MIC system. Keys for changing the cylinder is covered with red nylon.

ADVANTAGE of MIC:

- 1) **Security:** You can install the cylinders or change same to desired key combination at the final location. This offers additional security against unauthorized opening.
- 2) **Comfort:** It is easy to change cylinders without having to dismantle or change the lock already installed. In case of lost keys you can open the furniture either with the master key or you can take out the cylinder with the red key and replace it by a new cylinder. Insertion of loose cylinder into the lock body without any additional accessories – just the red key.

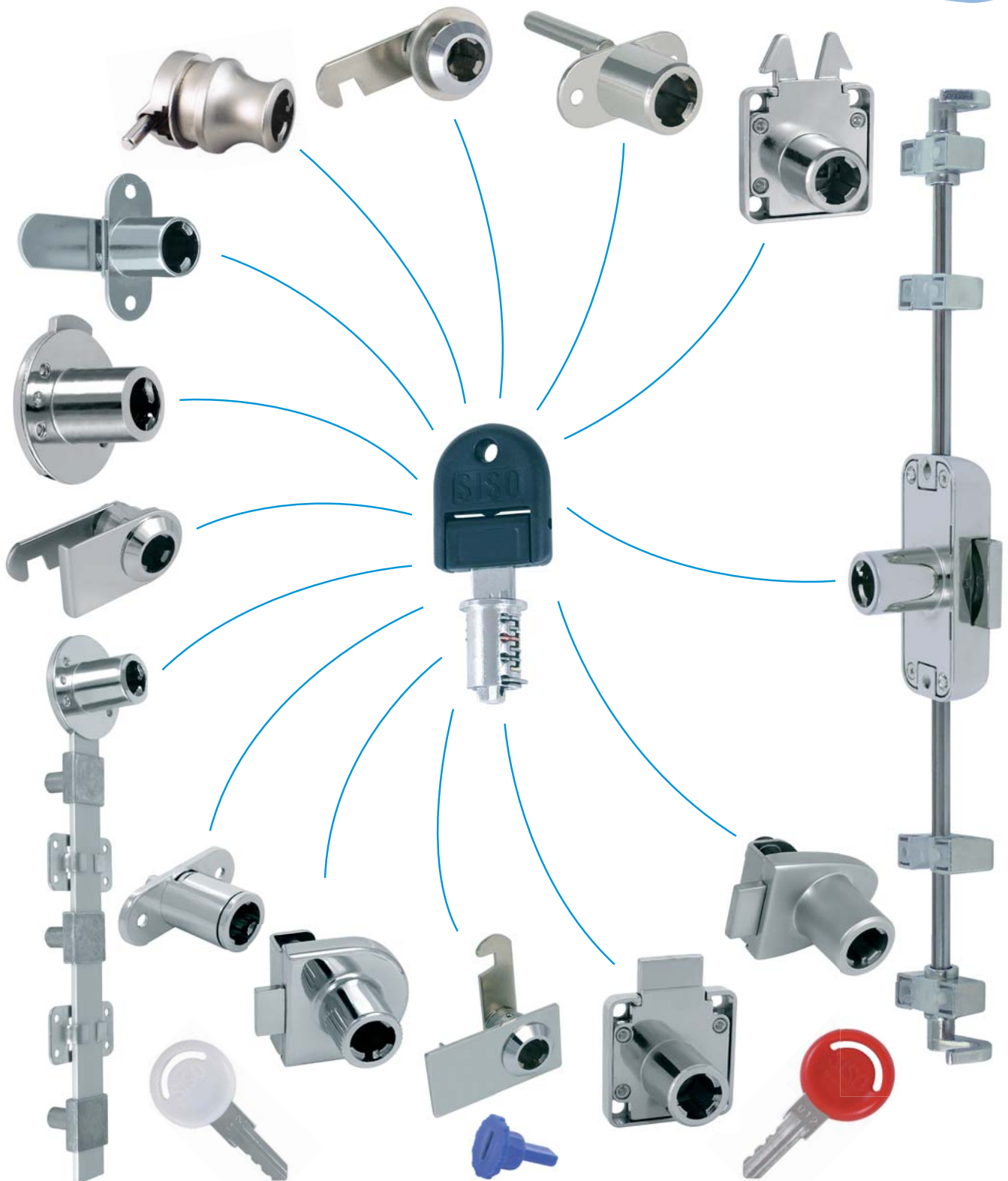
All MIC Locks are supplied with master key system as standard and cylinders are marked with key combination number.

MIC locks are supplied with fixed cylinders or you can have empty lock bodies only and buy the cylinders separately, either as key alike or key to differ. If you buy lock bodies only, our locks are supplied with a nylon plug inside the cylinder housing. The plugs have different colours:

Drawer position:	blue colour
Right position:	black colour
Left position:	red colour



The plug prevents the cylinder housing from being damaged and you just remove the plug and insert the cylinder in this lock position.



Installation of cylinder into an empty lock body

1. Make sure that the arrow on the plastic plug points towards the lock tongue. If not in the correct position take a flat screw driver and turn the plug to the right position.
2. Take out the plastic plug from the lock body.
3. Take off the transparent plastic tube from the cylinder.
4. Insert the loose cylinder into the empty lock body right to the end.
5. Turn the key 90° & withdraw the key.
6. The cylinder has successfully been installed.

Application:

Drawers, wardrobes and cabinets

Accessories for one set:

- 1 lock
- 1 rosette
- 2 SISO car keys

Specification:

Zamak lock body & cylinder
 Steel rosette & keys
 Cylinder diam. 19 or 16,5 mm
 Cylinder lengths:
 18, 22, 26, 32 & 38 mm
 400 key combinations or key alike
 Drawer, left or right hand versions
 Master key & Interchangeable
 system available on request

Finish:

- Nickel plated
- Black anodized
- Bronze plated
- Aluminium finish
- Brass plated

Packing:

- 12 pcs per box
- 240 pcs per export carton

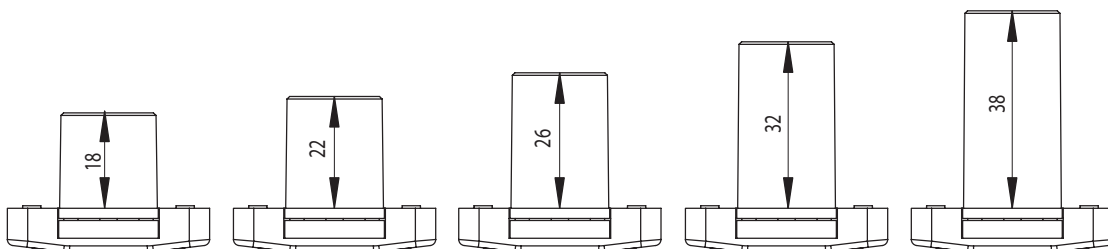
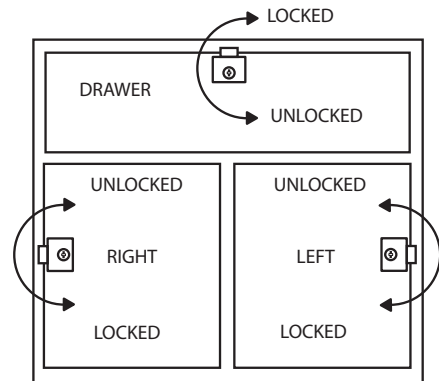
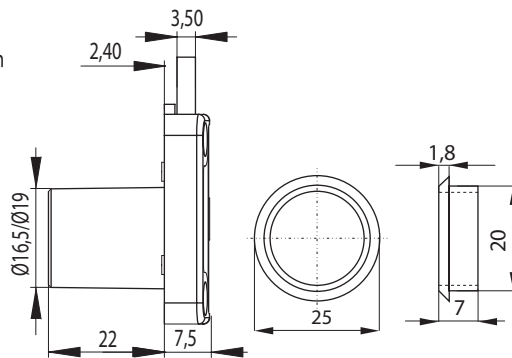
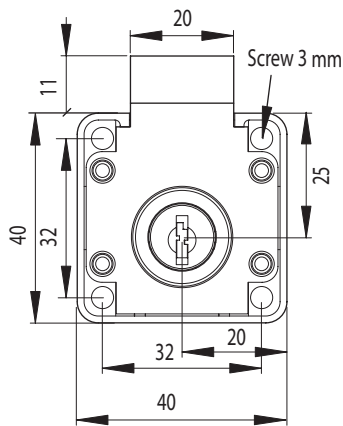
Item No.: # 14.00.000 etc.



RIGHT HAND

DRAWER

LEFT HAND



RIM LOCK NO. 850 "MIC" WITH SNAKE KEY

Application:

Drawers, wardrobes and cabinets

Accessories for one set:

- 1 lock
- 1 rosette
- 2 SISO snake car keys

Specification:

Zamak lock body & cylinder, NPL
 Steel rosette & brass keys
 Cylinder size \varnothing 19 x 22 mm
 1000 key combinations or key alike
 W/master key & interchangeable
 system (MIC)
 Drawer, left or right hand versions

Finish:

Nickel plated
 Other finishes on request

Packing:

25 pcs per box
 250 pcs per export carton

Item No.:

- | | |
|----------------------------|-------------|
| Drawer (no MIC) | # 14.00.200 |
| Drawer w/master key system | # 14.00.210 |
| Drawer w/MIC system | # 14.00.220 |
| Right hand w/MIC system | # 14.00.221 |
| Left hand w/MIC system | # 14.00.222 |
| Master key (blue) | # 14.04.137 |
| Interchangeable key (red) | # 14.04.138 |



Interchangeable key

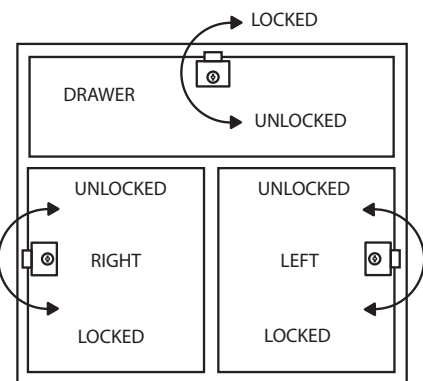
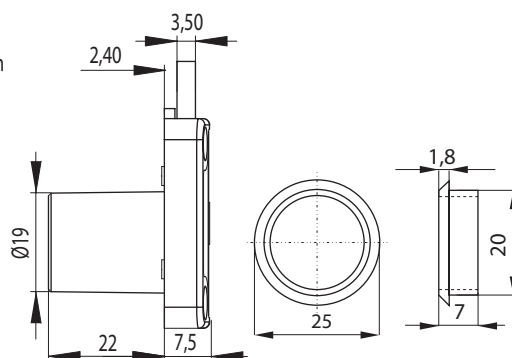
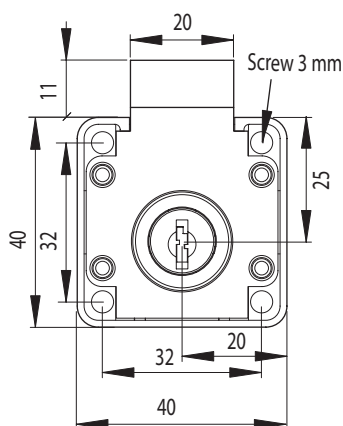
Master key



RIGHT HAND

DRAWER

LEFT HAND



Application:

Drawers, wardrobes and cabinets etc. where you want to drill hole further from the edge

Accessories for one set:

- 1 lock
- 1 rosette
- 2 SISO car keys

Specification:

Zamak lock body & cylinder
Steel rosette & keys
400 key combinations
Drawer version. Left & right hand versions available on request
Master key & Interchangeable system available on request

Finish:

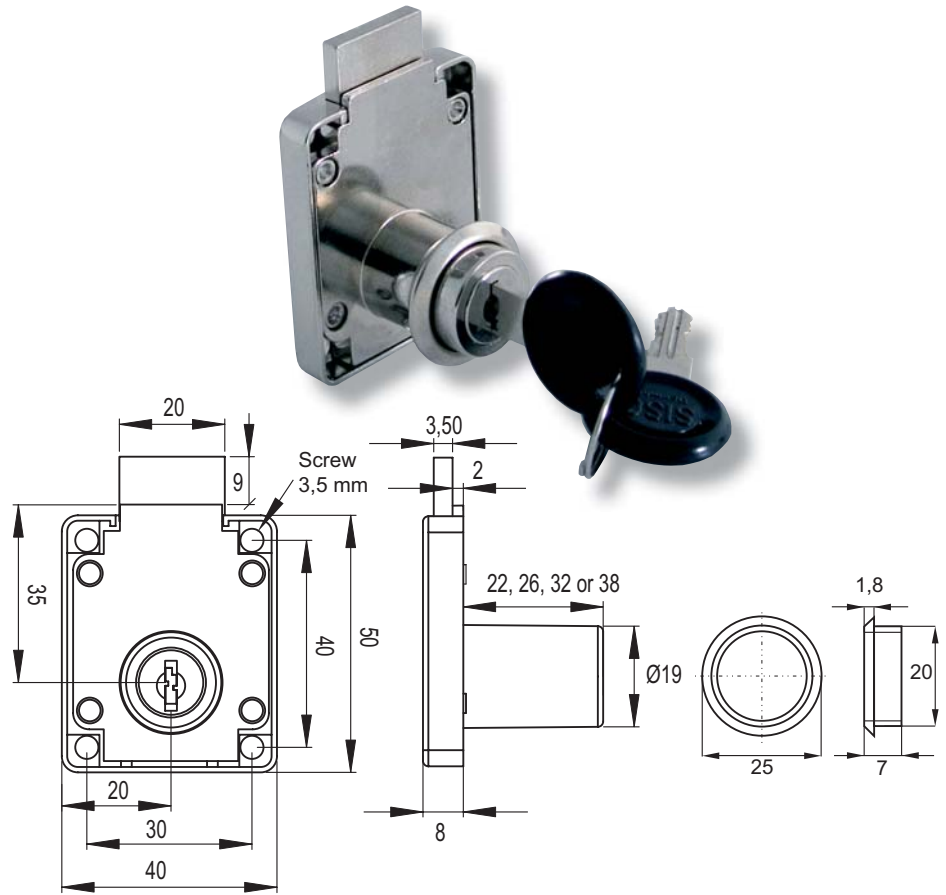
Nickel plated
Other finishes upon request

Packing:

12 pcs per box
240 pcs per export carton

Item No.:

- Right # 14.01.096
- Left # 14.01.095
- Drawer # 14.01.097



LOCK WITH ADJUSTABLE BACKSET MODEL "SERBIA"

Application:

Drawers, wardrobes and cabinets etc.

Accessories one set:

- 1 lock
- 1 rosette
- 2 SISO metal keys

Specification:

Zamak lock body & cylinder
Steel rosette & keys
400 key combinations
Drawer version. Left & right hand versions available on request

Finish:

Nickel plated
Other finishes upon request

Packing:

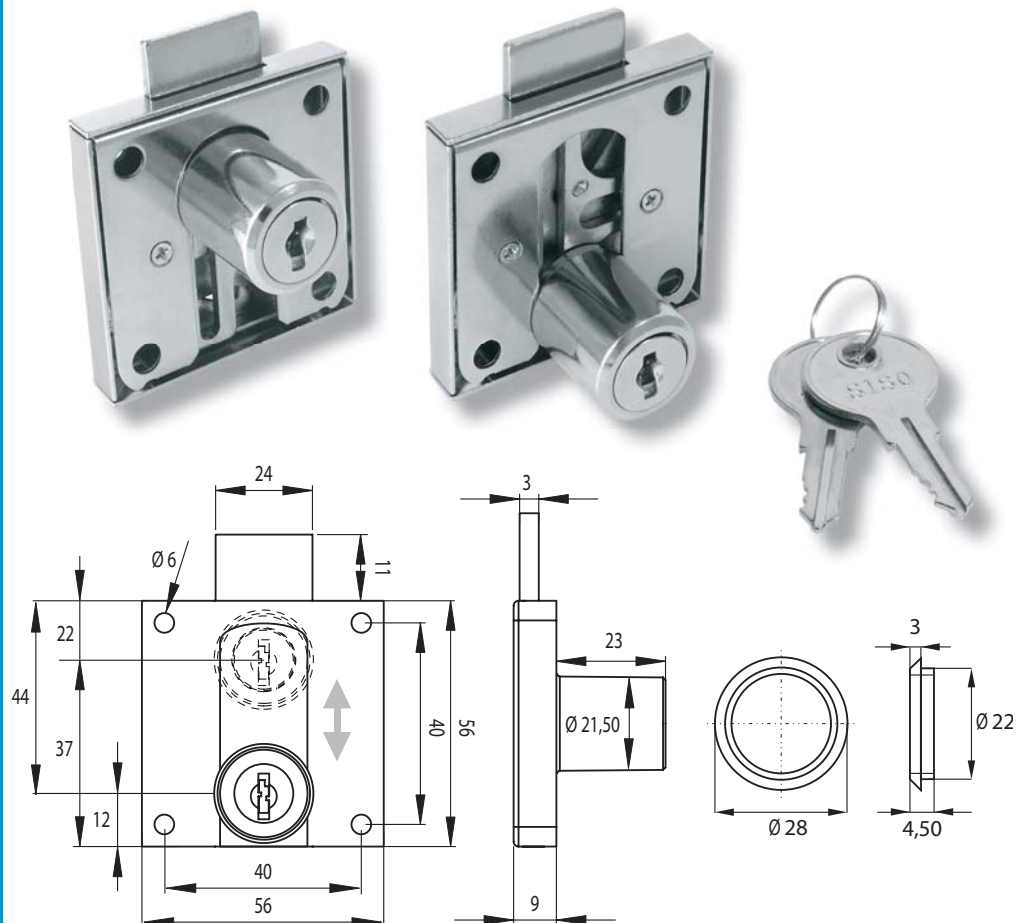
30 pcs per box
300 pcs per carton

NB!

You can drill a hole for cylinder any place between 22 and 44 mm from cabinet edge

Item No.:

14.01.015



RIM LOCK WITH ADJUSTABLE BACKSET NO. X-965



Application:

Drawers, wardrobes and cabinets

Accessories for one set:

- 1 lock
- 1 rosette
- 2 SISO car keys

Adjustable backset:

15, 20, 25, 30, 35, 40 mm
To adj. backset, remove the cylinder from the housing with screwdriver and mount it in the required backset position

Specification:

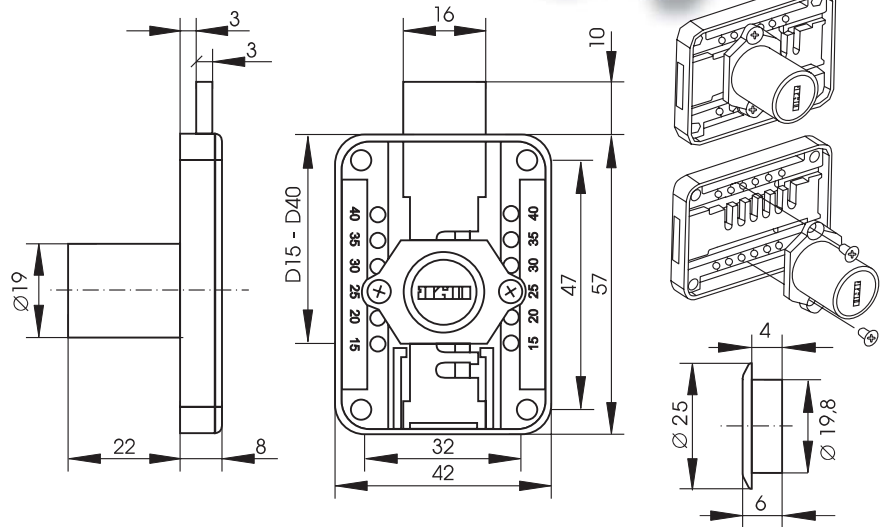
Zamak lock body & cylinder
Steel rosette & keys
400 key combinations
Left & right hand versions. Drawer version available on request
Master key & Interchangeable system available on request

Finish:

Nickel plated
Other finishes upon request

Item No.:

- Right hand # 14.01.013
- Left hand # 14.01.012



RIM LOCK NO. 850-N - Millennium

Application:

Drawers, wardrobes and cabinets

Accessories for one set:

- 1 lock
- 1 rosette
- 3 mounting screws
- 2 SISO round metal keys

Specification:

Zamak lock body & cylinder
Steel rosette, screws & keys
Cylinder dia. 19 or 16,5 mm
400 key combinations
Drawer version. Left & right hand versions available on request
Master key & Interchangeable system available on request

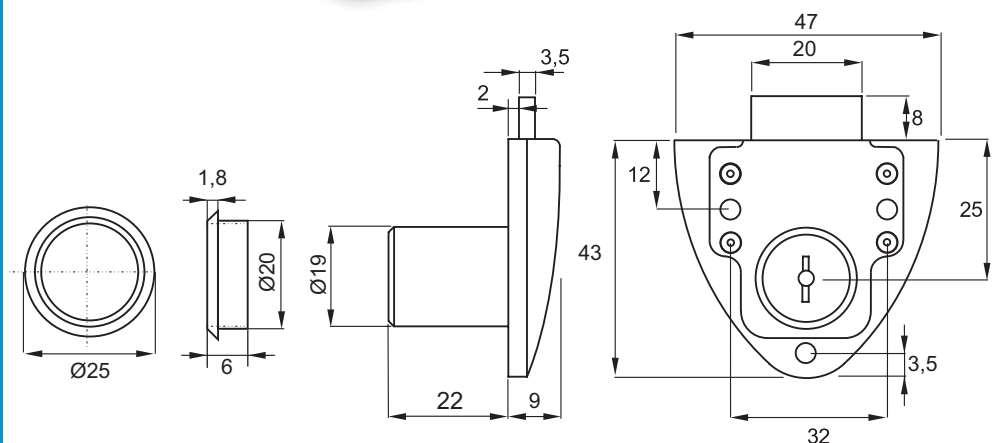
Finish:

Nickel plated
Aluminium finish
Black anodized
Black nickel
Gold plated

Packing:

12 pcs per box
240 pcs per export carton

Item No.: # 14.01.050 etc.



Application:

Drawers, wardrobes and cabinets

Accessories for one set:

- 1 lock
- 1 rosette
- 2 SISO car keys

Specification:

Zamak lock body & cylinder
 Steel rosette & keys
 Cylinder diam. 19 or 16,5 mm
 Cylinder lengths: 22 mm
 400 key combinations
 Drawer version. Left & right hand version available on request
 Master Key system available on request

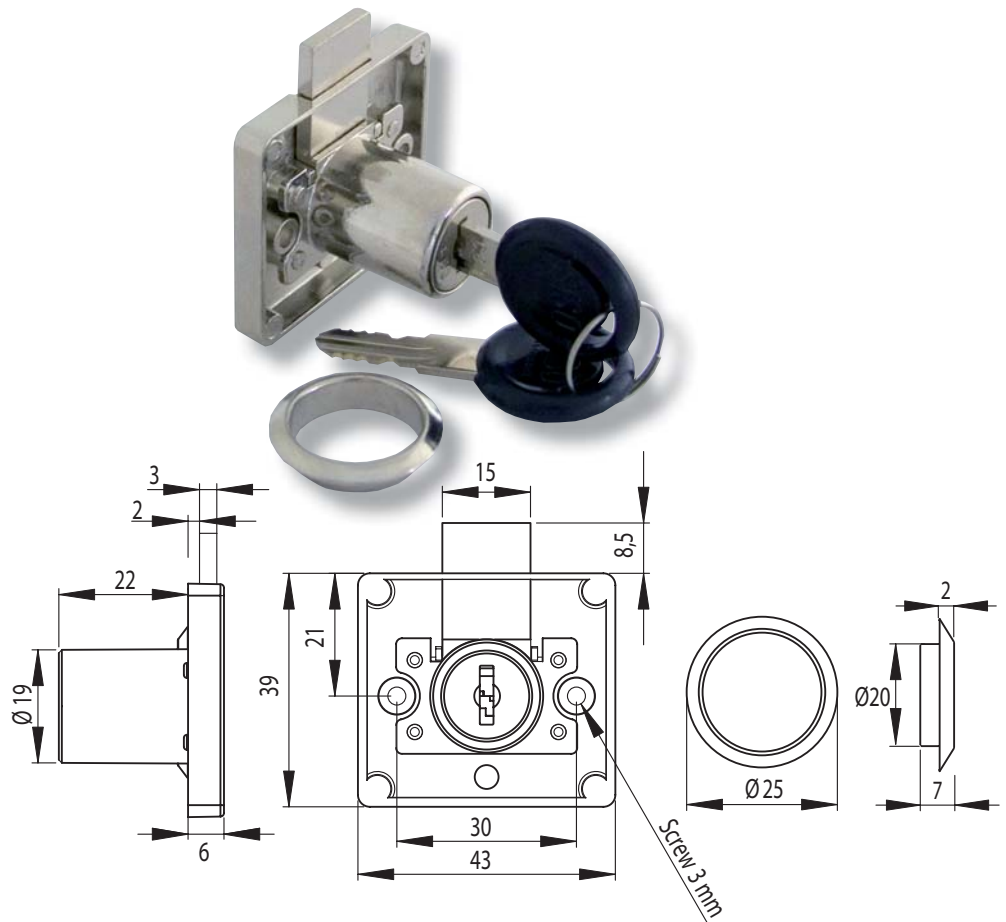
Finish:

- Nickel plated
- Black anodized
- Other finishes upon request

Packing:

- 12 pcs per box
- 240 pcs per export carton

Item No.: # 14.01.000 etc.



RIM LOCK NO. 905, SLIM CASE

Application:

Drawers, wardrobes and cabinets

Accessories for one set:

- 1 lock
- 1 rosette
- 2 SISO car keys

Specification:

Steel lock body, rosette & keys
 Zamak cylinder
 400 key combinations
 Drawer version. Left & right hand version available on request
 Master Key system available on request

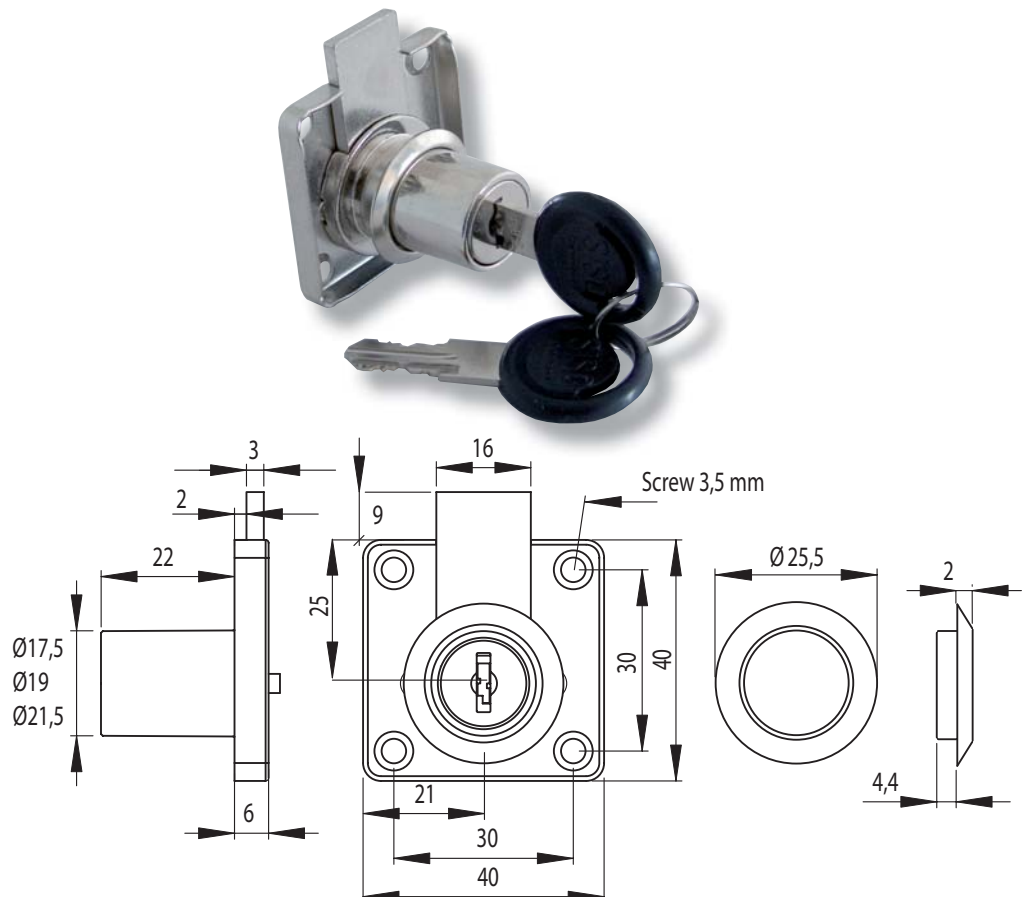
Finish:

- Nickel plated
- Chrome plated
- Other finishes upon request

Packing:

- 12 pcs per box
- 240 pcs per export carton

Item No.: # 14.02.050



RIM LOCK NO. 850, LONG LATCH

Application:

Drawers, wardrobe, cabinets where big gab is expected or locking double door with middle wall in between

Accessories for one set:

- 1 lock
- 1 rosette
- 2 SISO car keys

Function:

Turn key 180° latch come out half turn 360° latch will extend twice

Specification:

Zamak lock body & cylinder
Steel rosette & keys
Cylinder length 22 & 32 mm
400 key combinations
Drawer version. Left & right hand version available on request
Master Key system available on request

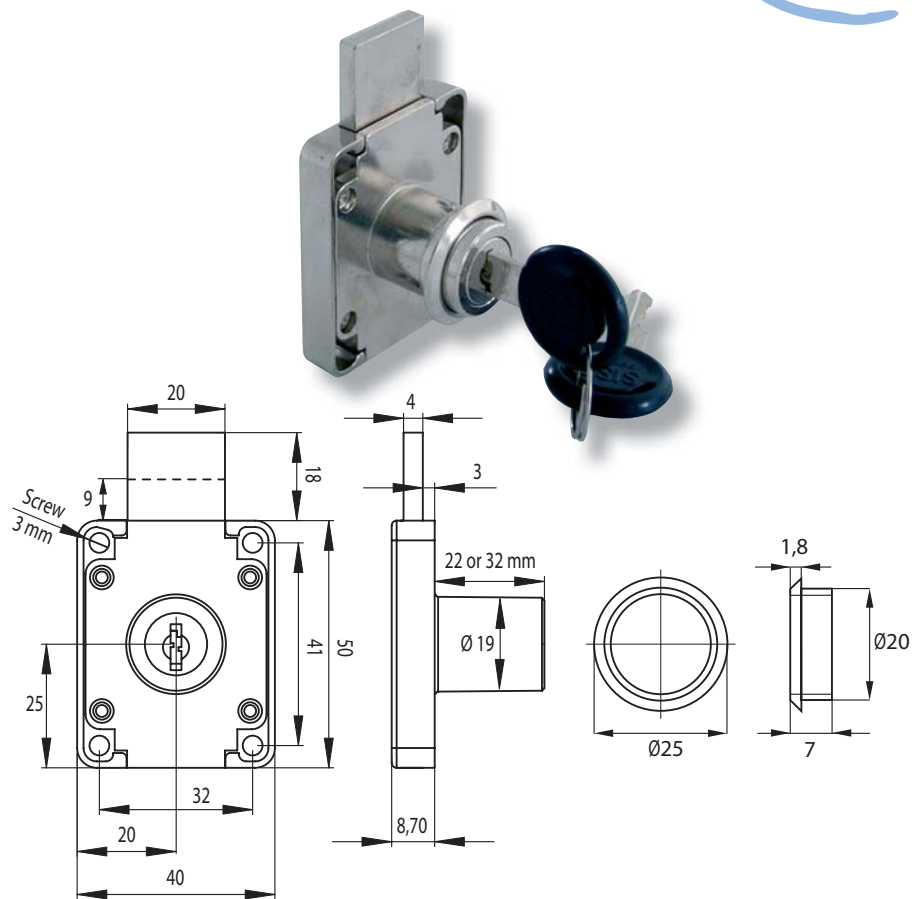
Finish:

Nickel plated
Other finishes upon request

Packing:

12 pcs per box
240 pcs per export carton

Item No.: # 14.01.090



RIM LOCK NO. 853N "Millennium"

Application:

Drawers, wardrobes and cabinets

Accessories for one set:

- 1 lock
- 1 rosette
- 4 screws
- 2 SISO car keys

Specification:

Zamak lock body & cylinder
Steel rosette & keys
400 key combinations or key alike
Drawer version. Left & right hand version available on request
Master key & Interchangeable system available on request

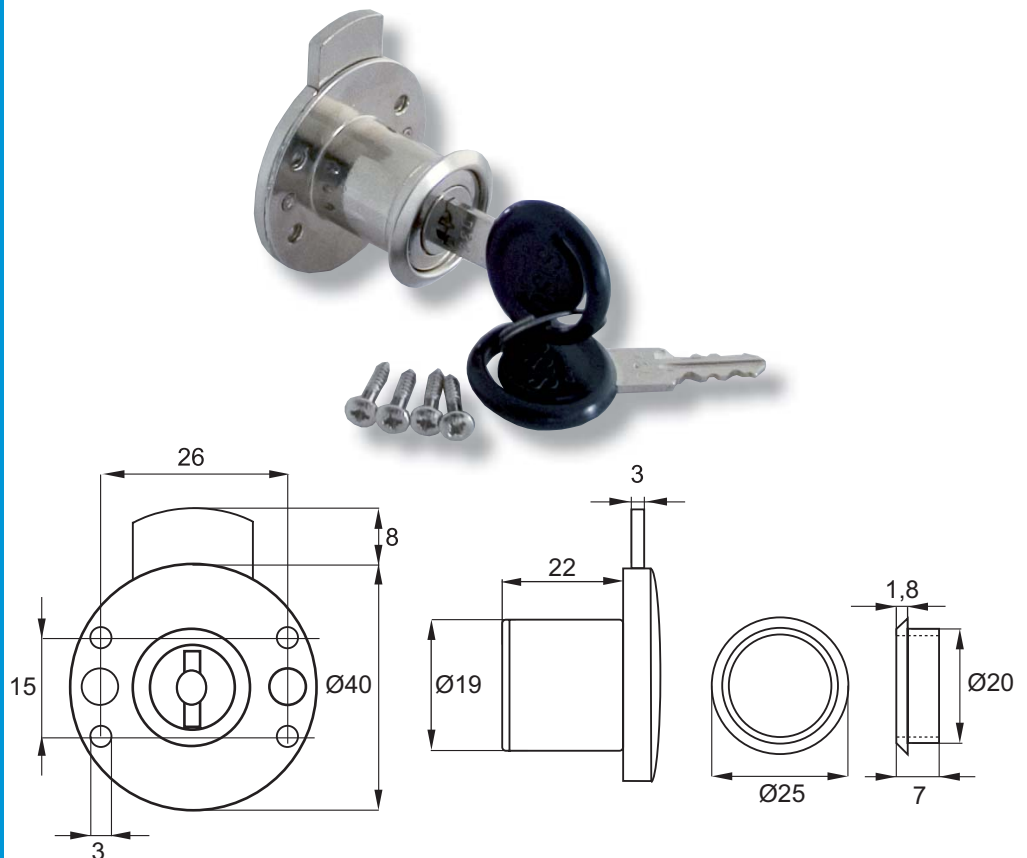
Finish:

Nickel plated
Other finishes upon request

Packing:

12 pcs per box
240 pcs per export carton

Item No.: # 14.01.269 etc.



Application:

For drawers, wardrobes & cabinets

Accessories for one set:

- 1 lock w/cylinder \varnothing 19 x 22 mm
- 1 rosette
- 2 SISO tubular car keys

Specifications:

Lock body & cylinder made of zamak.
 Innercore made of brass material
 Rosette & keys made of steel
 Drawer. Left & right available on request

2000 key combinations

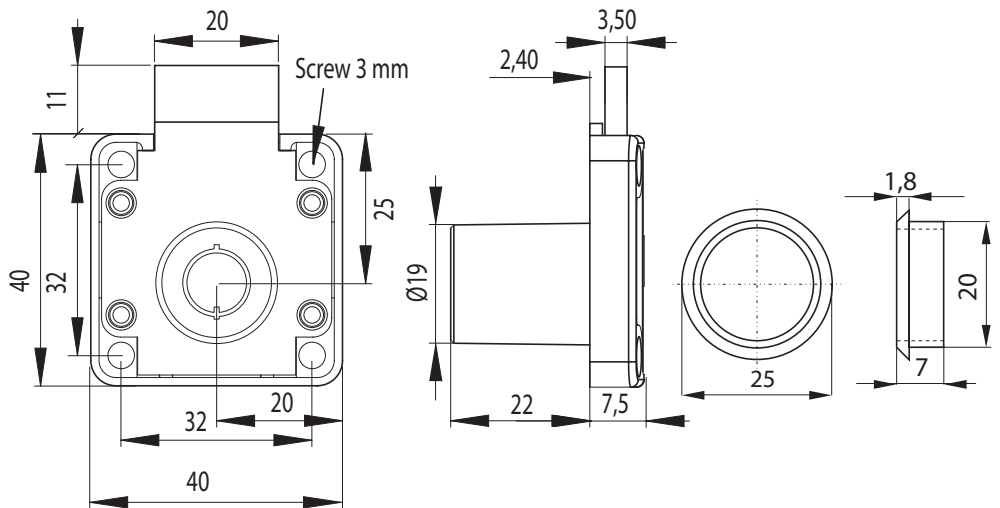
Packing:

- 15 pcs per box
- 120 pcs per export carton

Item No.:

Nickel plated # 14.00.100

Other finishes upon request



RIM LOCK NO. 954

Application:

Drawers, wardrobes and cabinets

Accessories for one set:

- 1 lock
- 1 rosette
- 2 SISO car keys

Specification:

Steel lock body, rosette & keys
 Zamak cylinder
 400 key combinations
 Drawer version. Left & right hand version available on request
 Master Key system available on request

Finish:

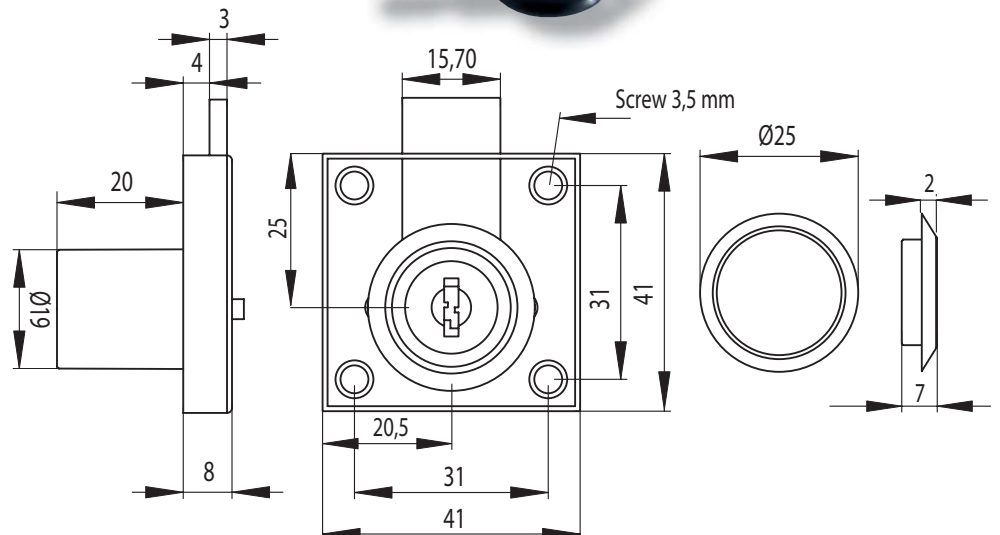
Nickel plated

Packing:

- 12 pcs per box
- 240 pcs per export carton

Item No.:

14.02.130



RIM LOCK NO. 850 WITH PLASTIC BODY

Application:

Drawers, wardrobes and cabinets

Accessories for one set:

- 1 lock w/cylinder \varnothing 19 x 22 mm
- 1 rosette
- 2 neutral car keys or hinged car keys (HCK)

Specifications:

Lock body made of plastic.
Cylinder made of zamak.
Rosette & keys made of steel
Drawer version. Left & right hand version available on request

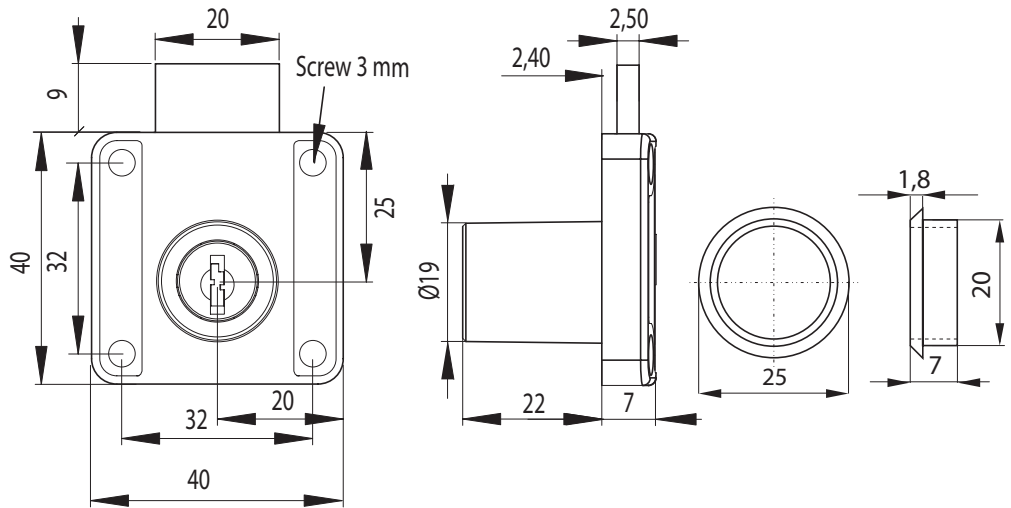
Only available as key alike.

Packing:

- 12 pcs per box
- 240 pcs per export carton

Item No.:

- Black w/car keys # 14.01.051-1
- Black w/hinged CK # 14.01.051-3
- Brown w/car keys # 14.01.051-5
- White w/car keys # 14.01.051-9



RIM LOCK NO. 850 WITH GREY SISO DK name plate

Application:

Drawers, wardrobes and cabinets

Accessories for one set:

- 1 lock w/cylinder \varnothing 19 x 22 mm
- 1 rosette
- 2 SISO car keys

Specifications:

Zamak lock body & cylinder
Steel rosette & keys
SISO DK name plate grey plastic.
400 key combinations
Drawer. Left & right available on request

Master key system available
Interchangeable system
NOT possible

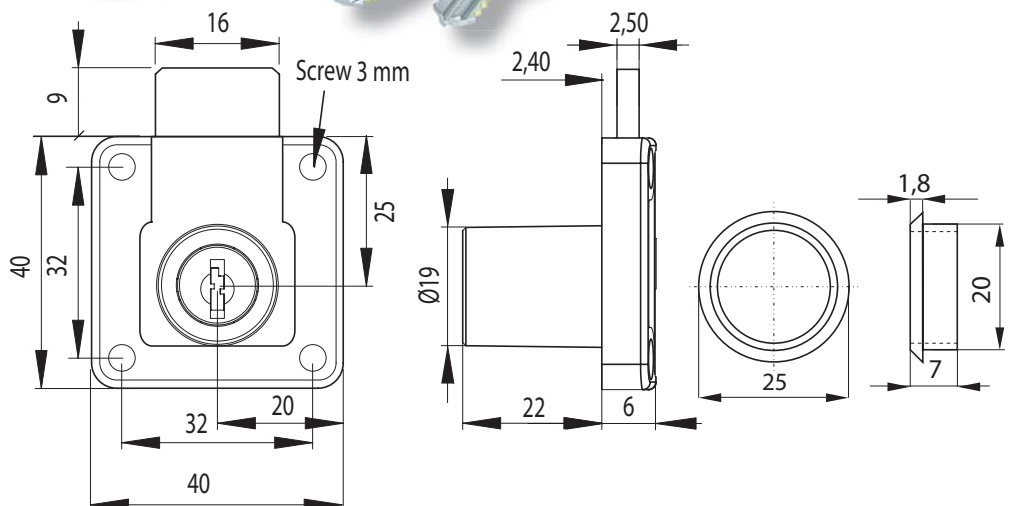
Packing:

- 12 pcs per box
- 240 pcs per export carton

Item No.:

- Nickel plated # 14.01.054

Other finishes upon request



Application:

Perfect for double door cabinets and wardrobes

Accessories for one set:

- 1 lock w/cylinder $\varnothing 19 \times 22$ mm
- 1 rosette
- 2 L-shaped striking plates
- 2 SISO car keys

Specifications:

Lock body & cylinder made of zamak
 Rosette, striker & keys made of steel
 400 key combinations or key alike
 Right or left hand version

Finish:

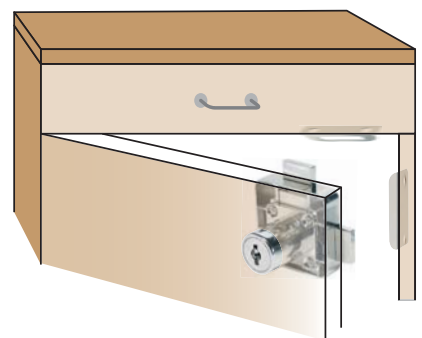
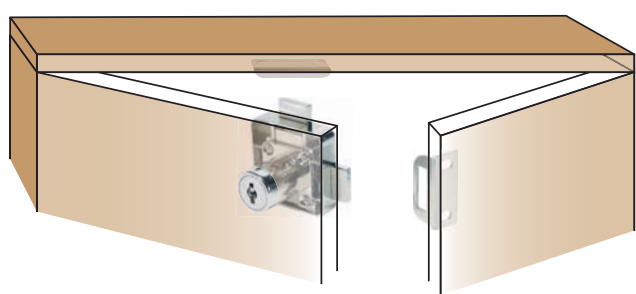
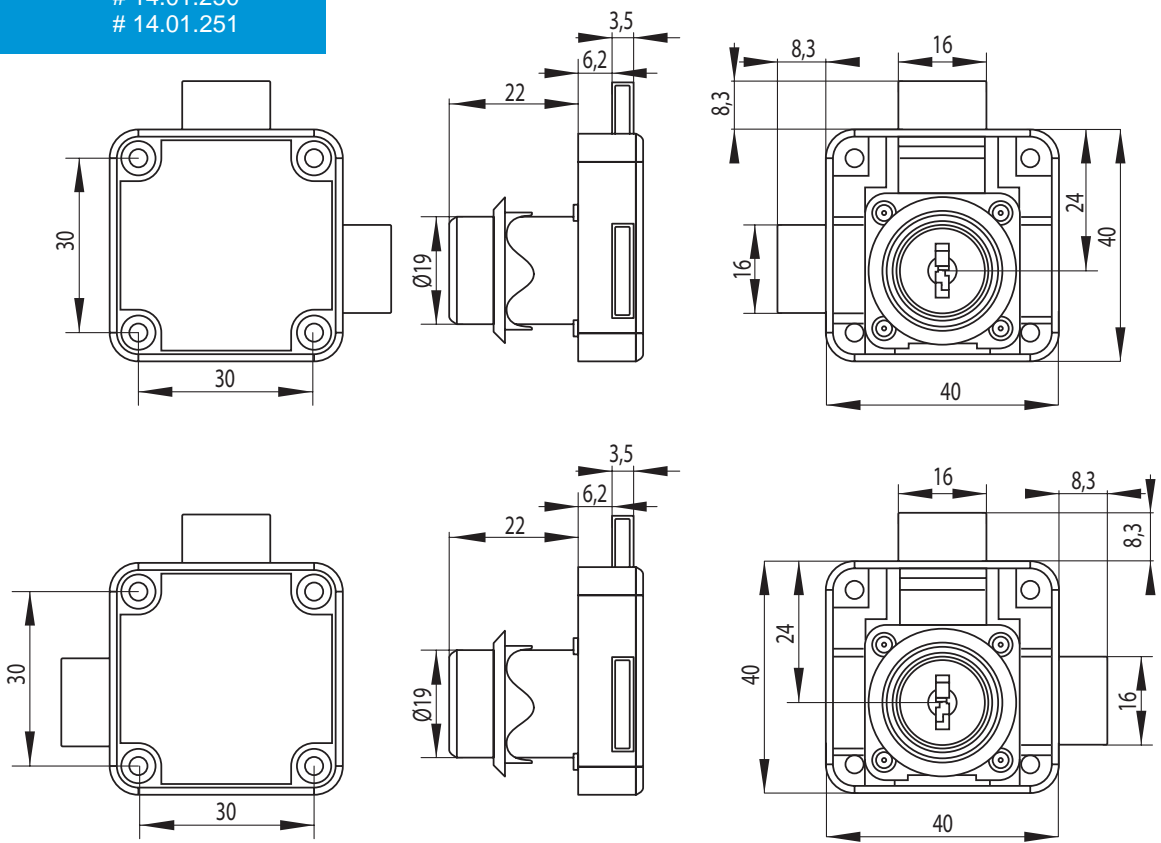
Nickel plated
 Other finishes upon request

Packing:

12 pcs per box
 240 pcs per export carton

Item No.:

Right # 14.01.250
 Left # 14.01.251



Application:

Hotel minibars, tills, drawers, wardrobes and cabinets

Accessories for one set:

- 1 lock
- 1 rosette
- 1 striking plate
- 2 SISO car keys

Function:

Spring loaded tongue allows doors and drawers to push lock automatically

Specification:

Zamak lock body & cylinder
Steel rosette & keys
400 key combinations
Steel rosette, keys & striker
Drawer version. Left & right hand version available on request
Master Key system available on request

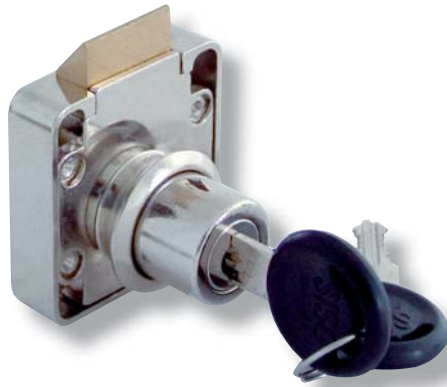
Finish:

Nickel plated

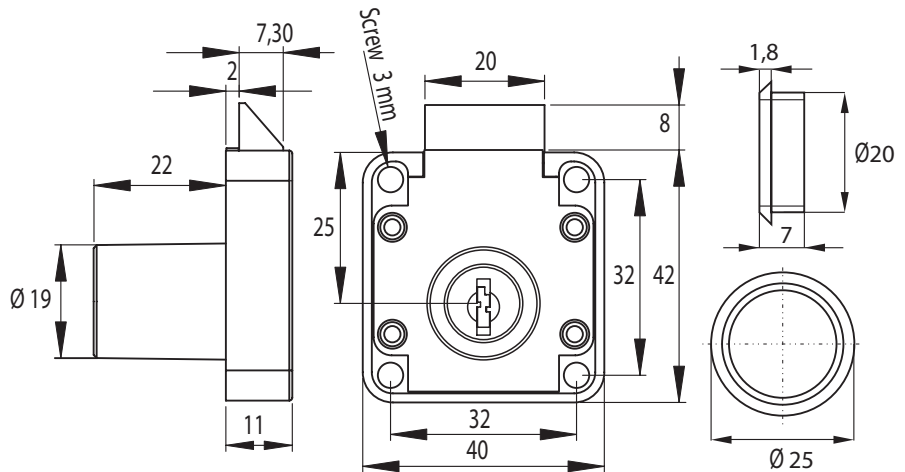
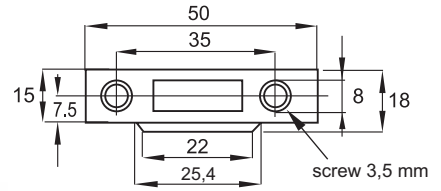
Packing:

- 12 pcs per box
- 240 pcs per export carton

Item No.: # 14.01.481



STRIKER PLATE



SLAM LOCK NO. 856N "Millennium"

Application:

Hotel mini bars, tills, drawers, wardrobes and cabinets

Accessories for one set:

- 1 lock
- 1 rosette
- 1 striking plate
- 2 SISO car keys
- 3 mounting screws

Function:

Spring loaded tongue allows doors and drawers to push lock automatically

Specification:

Zamak lock body & cylinder
Steel rosette & keys
400 key combinations
Steel rosette, keys, striker & screws
Drawer version. Left & right hand version available on request
Master Key system available on request

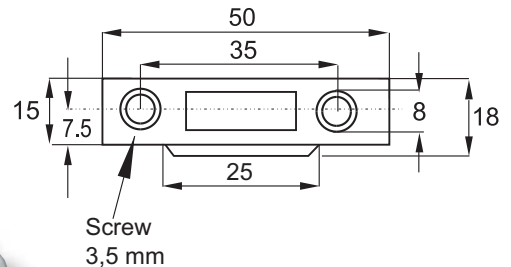
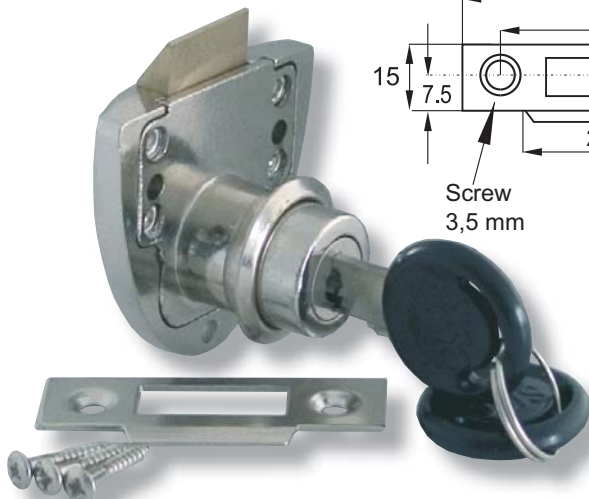
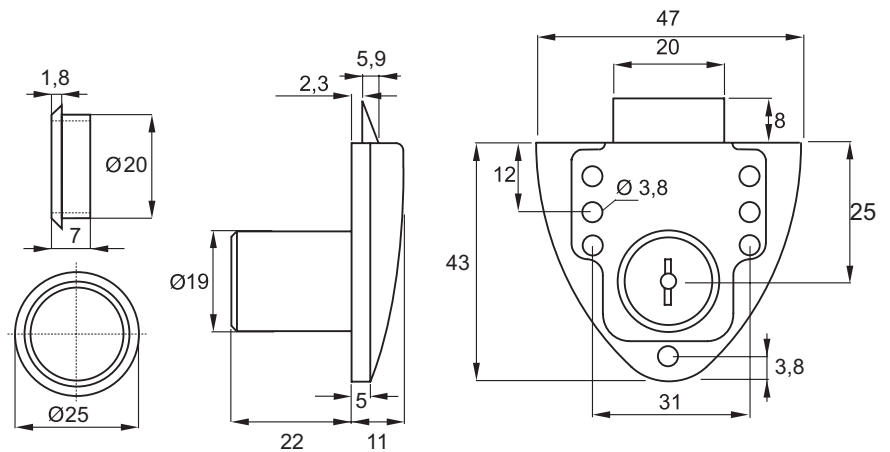
Finish:

Nickel plated

Packing:

- 12 pcs per box
- 240 pcs per export carton

Item No.: # 14.01.482



Application:

Hotel mini bars, tills, drawers, wardrobes and cabinets

Accessories for one set:

- 1 lock
- 1 rosette
- 2 neutral car keys

Function:

Spring loaded tongue allows doors and drawers to push lock automatically

Specification:

Zamak lock body & cylinder
 Steel rosette & keys
 500 key combinations
 Drawer version. Left & right hand version available on request
 Master key & Interchangeable system available on request

Finish:

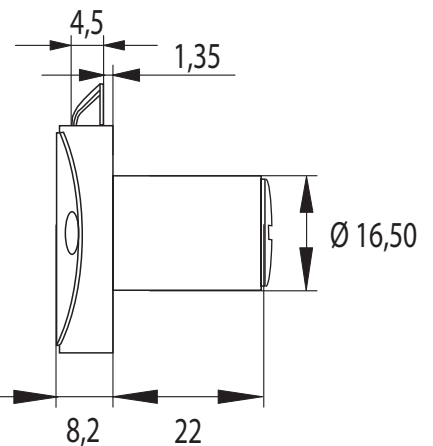
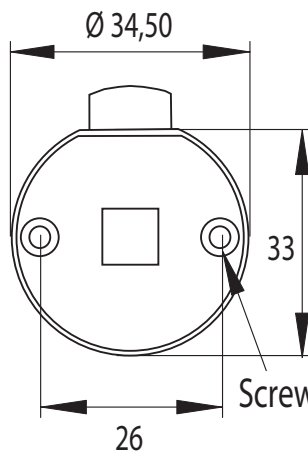
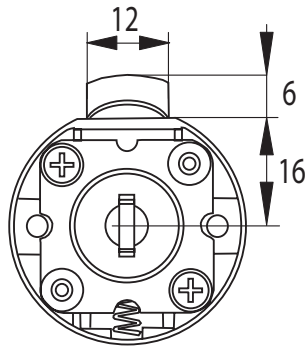
Nickel plated
 Others upon request

Packing:

12 pcs per box
 240 pcs per export carton

Item No.:

- Lock # 14.01.495
- Master key # 14.04.122
- Interchangeable key # 14.01.132



SLAM LOCK WITH KNOB NO. 856

Application:

Marine, caravan, furniture and interior

Accessories for one set:

- 1 lock
- 1 rosette
- 1 striking plate

Function:

Spring loaded tongue allows doors and drawers to push lock automatically

Specification:

Zamak lock body & cylinder
 Steel rosette, keys & striker
 Drawer version. Left & right hand version available on request
 Master Key system available on request

Finish:

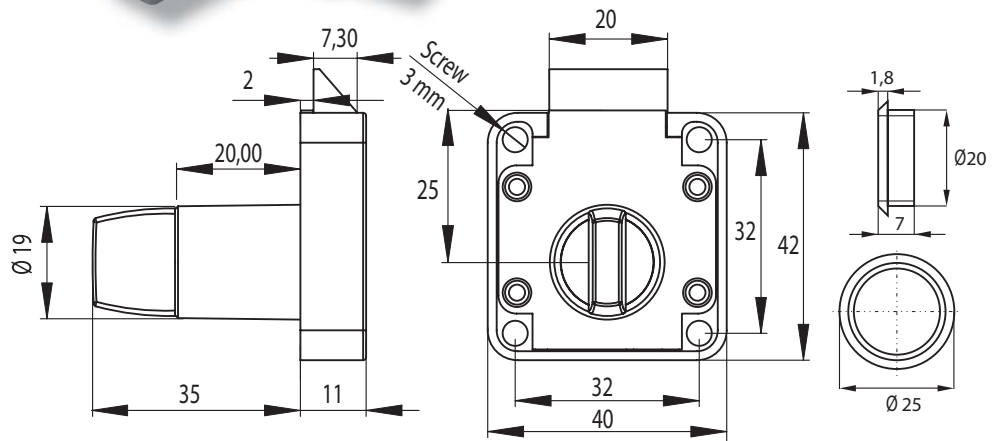
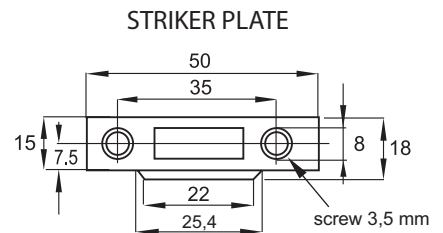
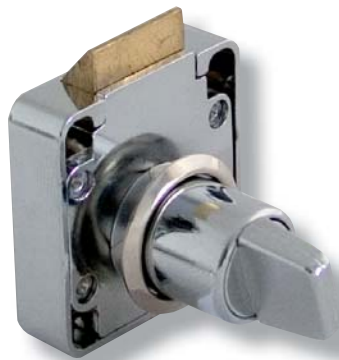
Nickel plated
 Others upon request

Packing:

12 pcs per box
 240 pcs per export carton

Item No.:

14.01.486



ROLL BLIND LOCK NO. 855



Application:

Roller shutter doors vertical or horizontal sliding doors

Accessories for one set:

- 1 lock
- 1 rosette
- 1 flat striking plate
- 2 SISO car keys

Optional:

Raised striking plate for more security. Item No. # 14.01.500

Function:

To open turn key 30°
Spring loaded hooks allow automatic push locking

Option:

Vertical key position as illustrated, or horizontal position upon request

Specification:

Zamak lock body & cylinder
Steel rosette & keys
Cylinder dia. 19 or 16,5 mm
Cylinder lengths: 22 or 32 mm
400 key combinations or key alike
Master Key system available on request

Finish:

- Nickel plated
- Brass plated
- Black anodized

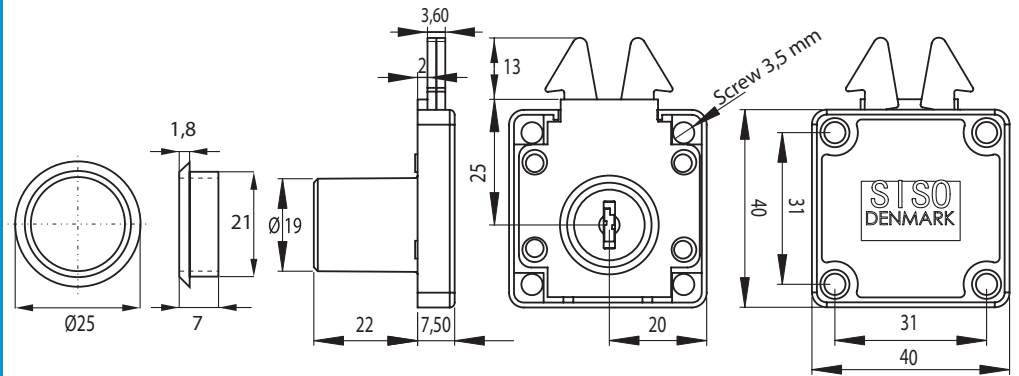
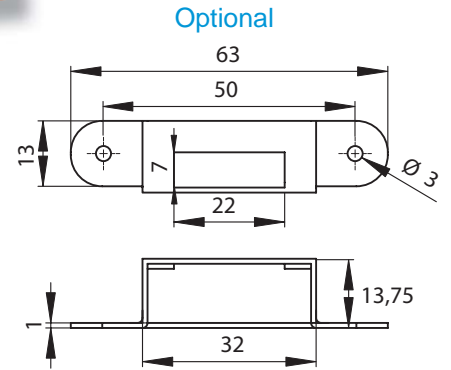
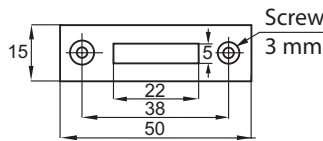
Packing:

- 12 pcs per box
- 240 pcs per export carton

Item No.: # 14.01.450 etc.



Lock shown with raised striker



ROLL BLIND LOCK NO. 2159

Application:

Roller shutter doors vertical or horizontal sliding doors

Accessories for one set:

- 1 lock
- 1 rosette
- 1 flat striking plate
- 2 SISO car keys

Function:

To open turn key 30°
Spring loaded hooks allow automatic push locking

Specification:

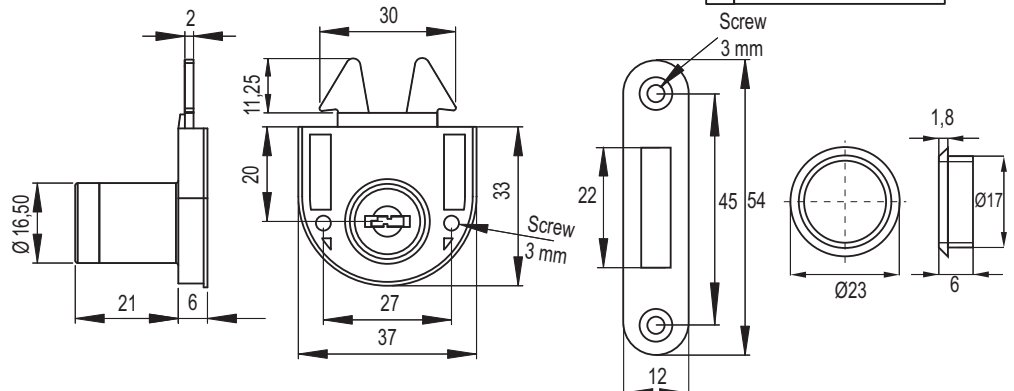
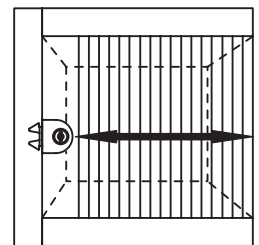
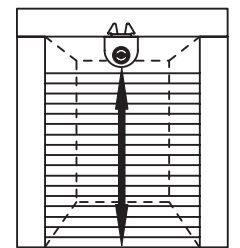
Lock body - black plastic
Zamak cylinder - nickel plated
Steel rosette,striker & keys
200 key combinations
Master Key system available on request

Packing:

- 25 pcs per box
- 250 pcs per export carton

Item No.:

- Key to differ (KD) # 14.01.470
- KD w/master key # 14.01.471



Application:

For vertical roller shutter doors
or horizontal sliding doors

Accessories for one set:

- 1 lock w/cylinder $\varnothing 19 \times 22$ mm
- 1 rosette
- 1 flat striking plate

Function:

Push knob to release/open the lock

Specifications:

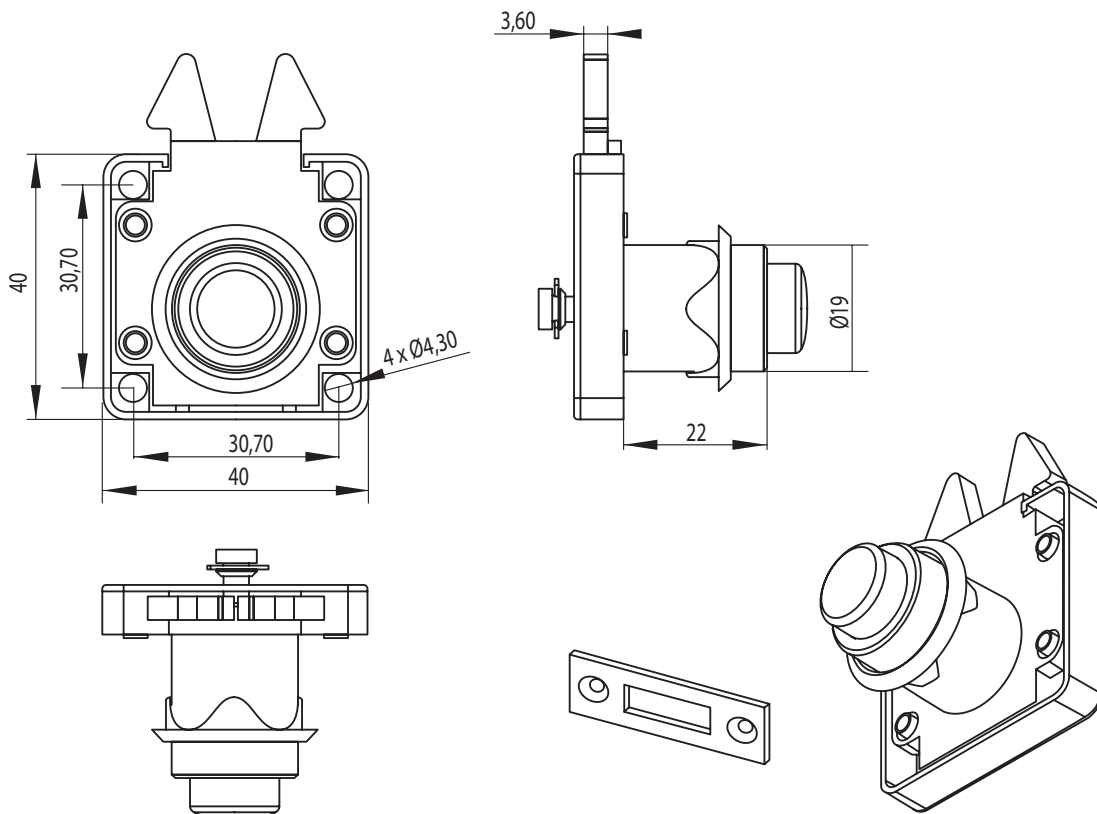
Lock body and core zamak.
Rosette made of steel

Item No.:

Nickel plated: # 14.01.462

Packing:

- 12 pcs per box
- 240 pcs per export carton



ROLLER SHUTTER/SLIDING DOOR LOCK W/PLASTIC STRIKER MODEL "VERTI"



Application:

Vertical roller shutter doors
& sliding doors

Accessories one set:

- 1 lock
- 1 black plastic striking plate
- 1 rosette
- 2 neutral car keys

Function:

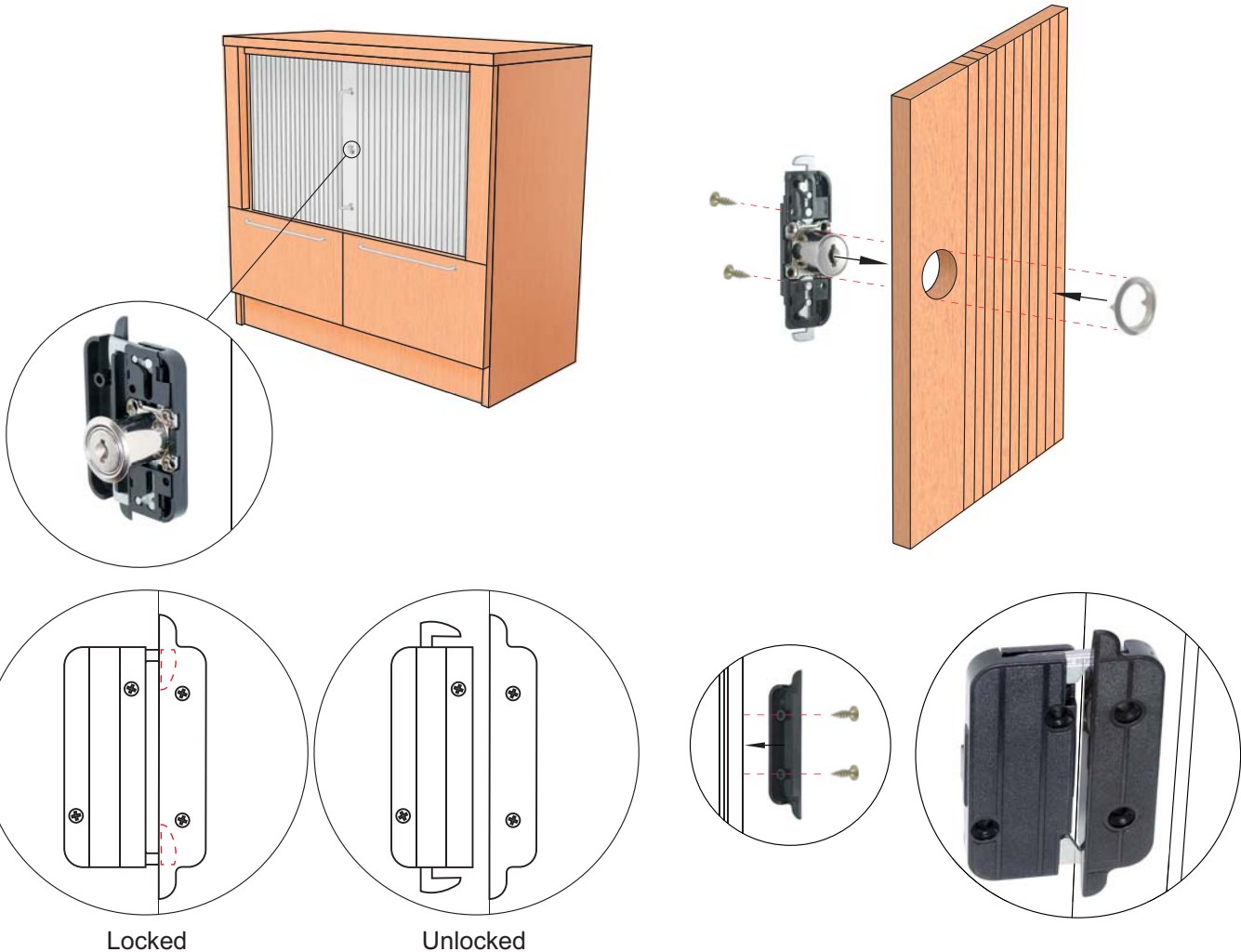
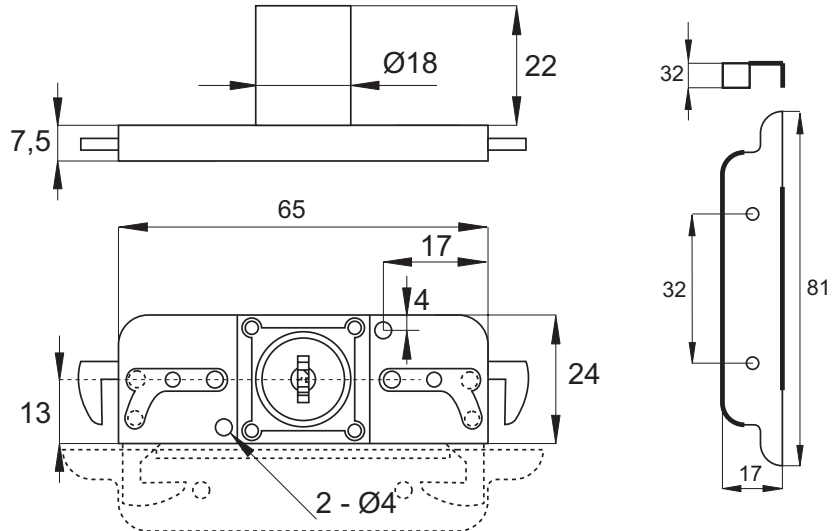
Turn key 180° and 2 hooks will
move out from the lock body
anchoring into the enclosed striker

Specification:

Lock body: black nylon
Zamak cylinder & hooks
Cylinder \varnothing 18 mm
Cylinder length 22 mm
400 key combinations or key alike
Master key & Interchangeable
system available on request

Item No.:

- Lock # 14.01.400
- Master key # 14.04.122
- Interchangeable key # 14.04.132



Locked

Unlocked

Application:

Vertical roller shutter doors
& sliding doors

Accessories one set:

- 1 lock
- 1 steel nickel plated striking plate
- 1 rosette
- 2 neutral car keys

Function:

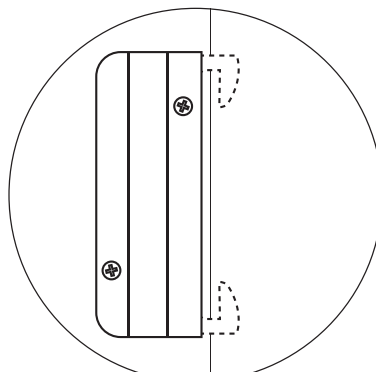
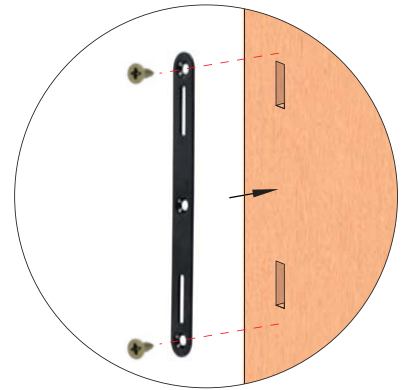
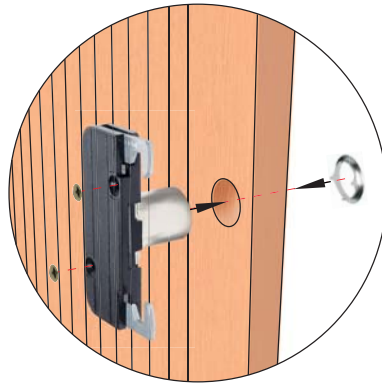
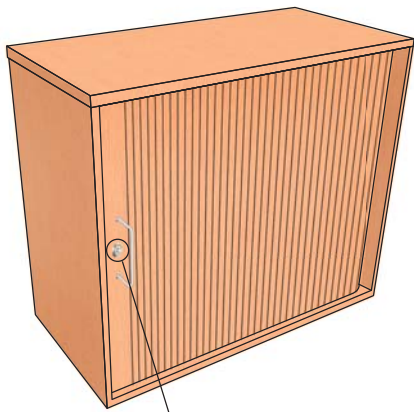
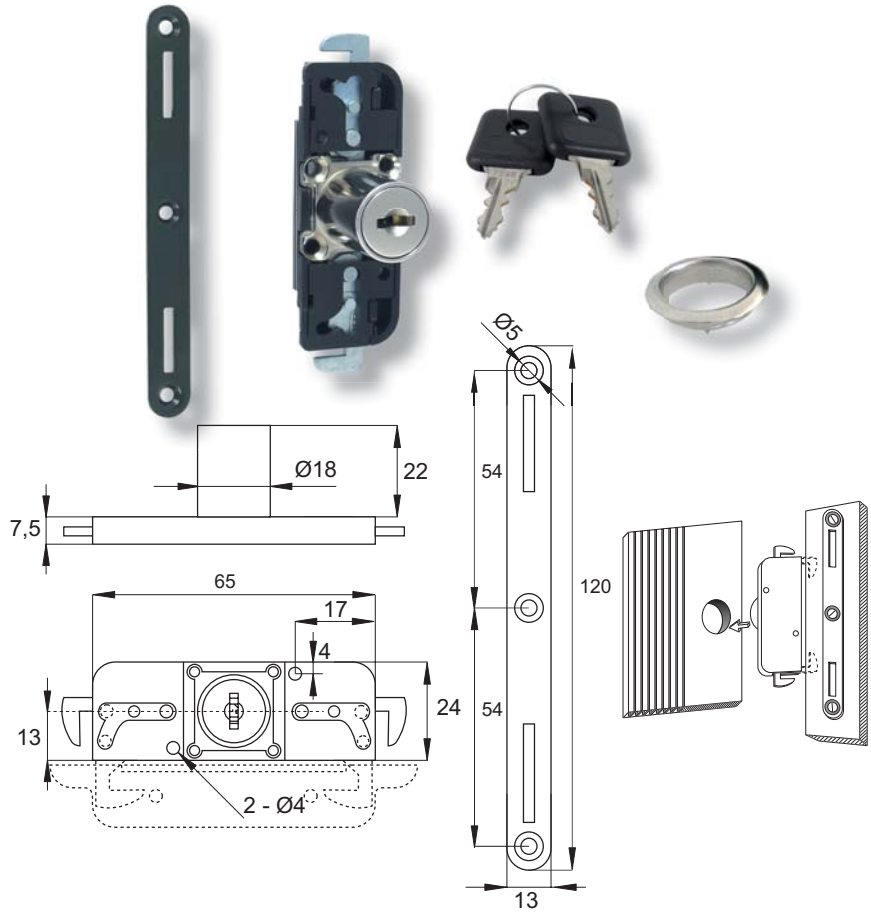
Turn key 180° and 2 hooks will
move out from the lock body
anchoring into the enclosed striker

Specification:

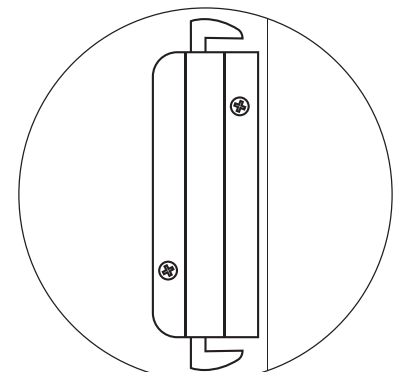
Lock body: black nylon
Zamak cylinder & hooks
Cylinder ø18 mm
Cylinder lenght 22 mm
400 key combinations or key alike
Master key & Interchangeable
system available on request

Item No.:

- Lock # 14.01.405
- Master key # 14.04.122
- Interchangeable key # 14.04.132



Locked



Unlocked

CAM LOCK NO. 5250



Application:

Drawers, wardrobe, cabinets, universal for many diff. purposes ONE WING TYPE mainly applied for shutter doors

Accessories for one set:

- 1 lock
- 1 rosette
- 2 SISO car keys or metal keys

Option:

19 mm cylinder diam and many other different cam types available upon request
Other rotation angle

Specification:

Zamak lock body & cylinder
Steel rosette, cam & keys
400 key combinations
Master Key system available on request

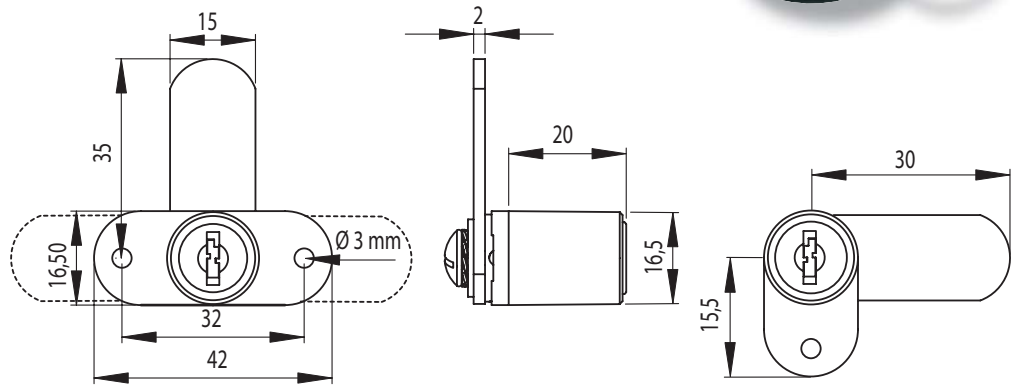
Finish:

Nickel plated
Others upon request

Packing:

12 pcs per box
240 pcs per export carton

Item No.: # 14.04.605 etc.



PUSH AND TURN LOCK NO. 919

Application:

Heavy duty sliding doors
Flap doors

Accessories for one set:

- 1 lock
- 1 rosette
- 1 striking plate
- 2 SISO car keys

Function:

To lock push cylinder and turn key to allow cam enter back door
Key removable in locked and unlocked position

Specification:

Zamak lock body & cylinder
Steel rosette,striker & keys
Cylinder diam. 19 mm
Cylinder lenght 24 mm
400 different key combinations
Master Key system available on request

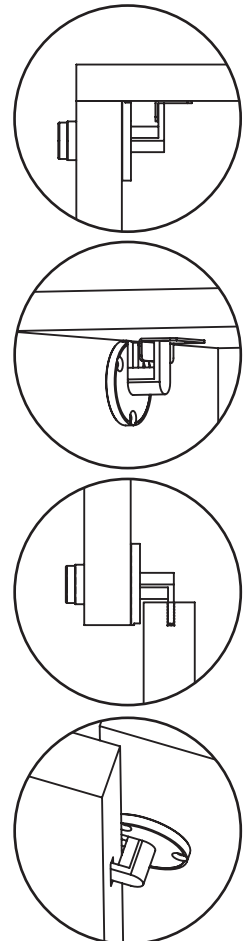
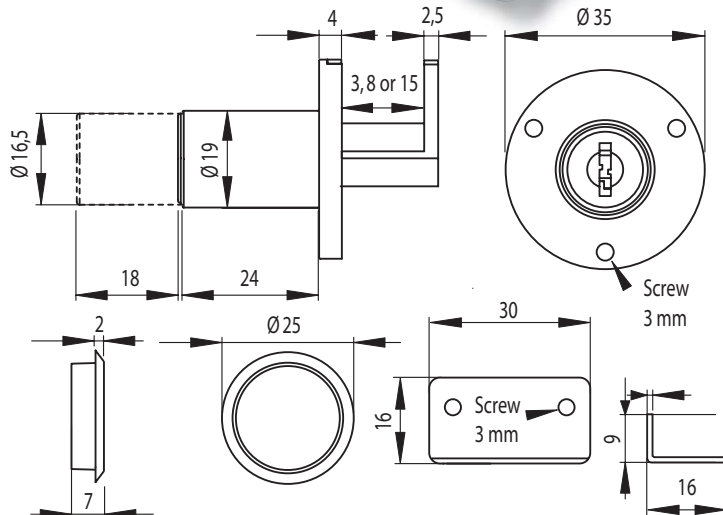
Finish:

Nickel plated
Other finishes upon request

Packing:

30 pcs per box
300 pcs per export carton

Item No.: # 14.03.004 etc.



CAM LOCK NO. 1911

Accessories for one set:

- 1 lock
- 1 hex nut or snap clip
- 2 SISO car keys
- 1 cam No. 7 spun on to lock body

Specification:

- Zamak lock body & cylinder
- Steel hex nut, spring clip, cam & keys
- 400 key combinations or key alike
- 180° turn
- Master Key system available on request

Option:

- Other cam style/sizes
- Other rotation angle
- Conical face

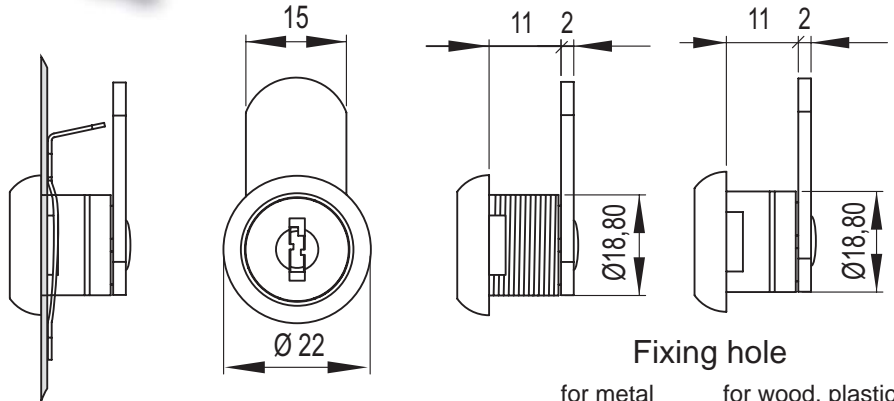
Finish:

- Chrome plated

Packing:

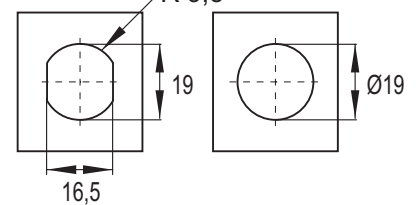
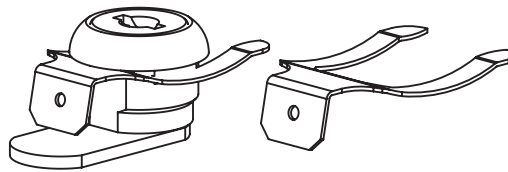
- 24 pcs per box
- 480 pcs per export carton

Item No.: # 14.04.430 etc.



Fixing hole

for metal for wood, plastic and glass



CAM LOCK NO. 1216

Accessories for one set:

- 1 lock
- 1 hex nut or 1 snap on clip
- 2 SISO metal keys
- 1 cam
- 1 transparent plastic washer

Specification:

- Zamak lock body & cylinder
- Steel hex nut, cam & keys
- 50 key combinations or key alike
- 90° turn

Option:

- Other cam style/sizes
- Other rotation angle

Finish:

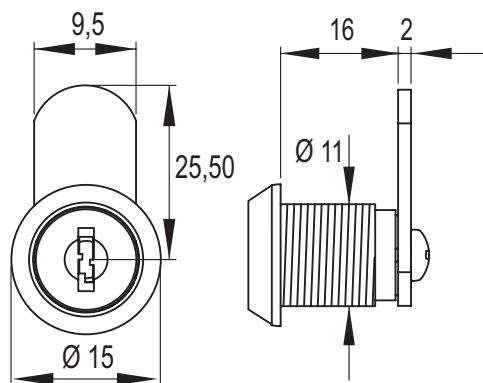
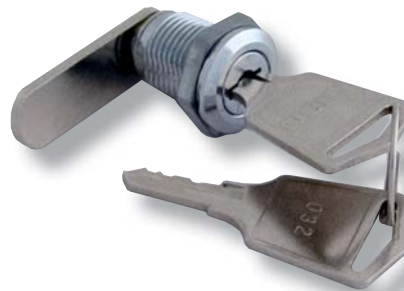
- Chrome plated
- Others upon request

Packing:

- 100 pcs per box
- 500 pcs per export carton

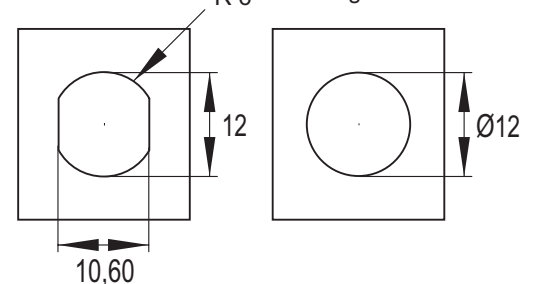
Item No.:

- Key to differ # 14.04.426
- Key alike # 14.04.425



Fixing hole

for metal for wood, plastic and glass



Accessories for one set:

- 1 lock
- 2 SISO car keys
- 1 hex nut or 1 snap on clip
- 1 cam
- 1 transparent plastic washer

Specification:

Zamak lock body & cylinder
 Dome face model stainless steel
 Steel hex nut, cam & keys
 400 key combinations
 90° or 180° turn
 Master Key system available on request

Option:

Other cam style/size
 Key removable in locked position only
 Transparent plastic washer

Finish:

Conical face - Chrome plated
 Dome face - Stainless steel

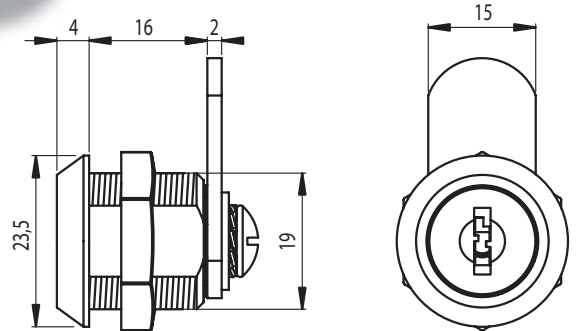
Packing:

24 pcs per box
 480 pcs per export carton

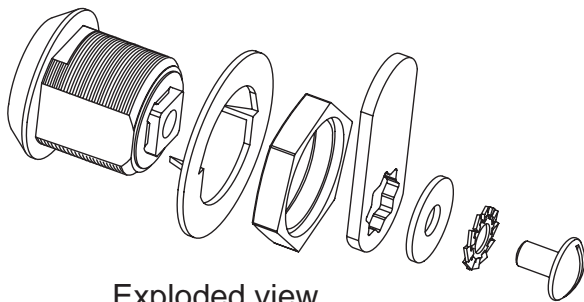
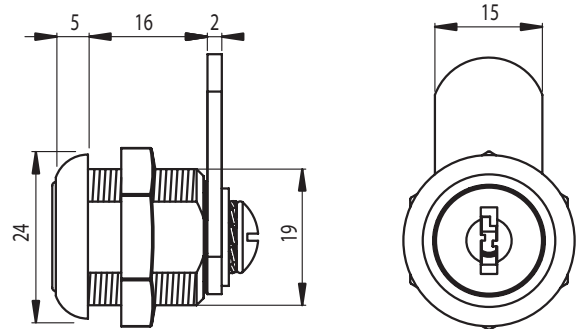
Item No.: # 14.04.464 etc.



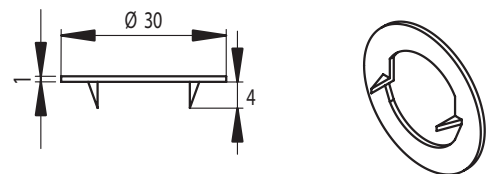
Conical face
Zinc alloy



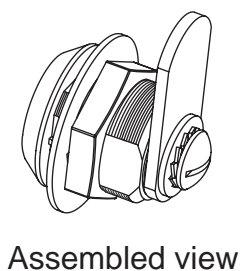
Dome face
Stainless steel



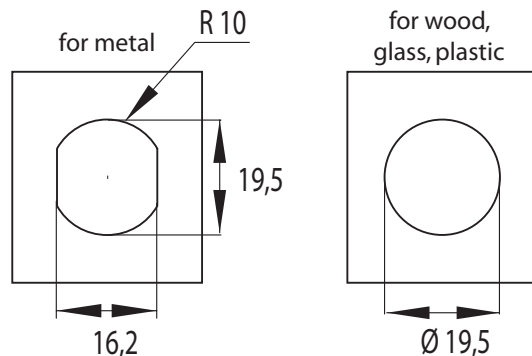
Exploded view



Fixing hole



Assembled view





Accessories for one set:

- 1 lock
- 2 SISO car keys
- 1 hex nut or snap clip
- 1 pronged washer
- 1 cam

Specification:

Zamak lock body & cylinder
 Dome face model stainless steel
 Steel hex nut, cam & keys
 400 key combinations
 Master key & Interchangeable system available on request

Option:

Other cam style/size
 Key removable in locked position only on locks with 90° rotating only
 90° or 180° turn

Finish:

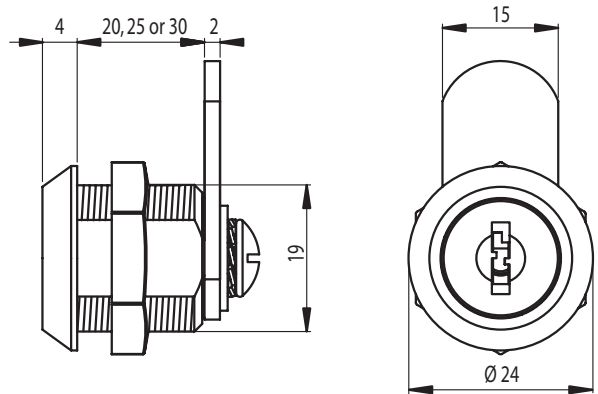
Conical face - Chrome plated
 Dome face - Stainless steel

Packing:

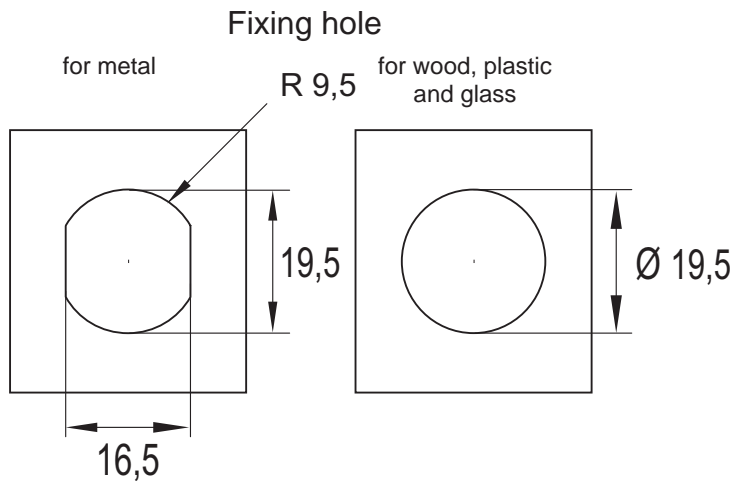
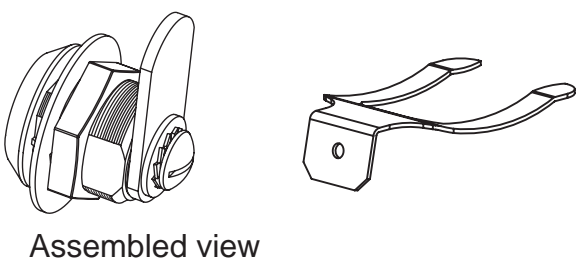
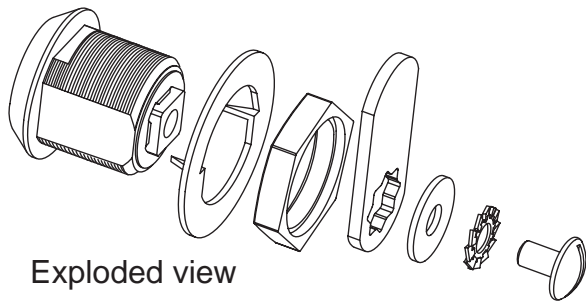
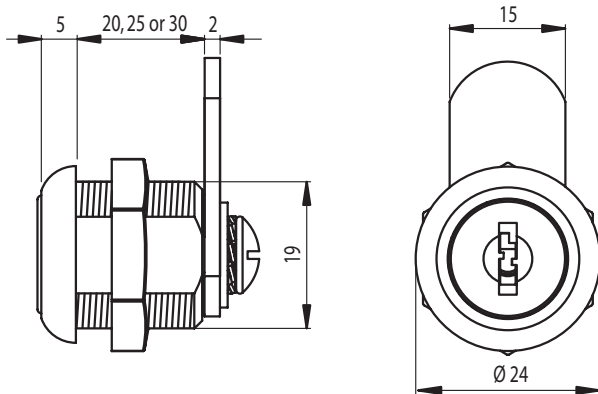
24 pcs per box
 480 pcs per export carton

Item No.: # 14.04.482 etc.

Conical face
Zamak, cpl



Dome face
Stainless steel



CAM LOCKS WITH SQUARE FRONT

Application:
For drawers & cabinets

Accessories for one set:
1 lock w/cylinder \varnothing 19 x 16/20
or 30 mm
1 hex nut
1 cam plate No. 9
(others on request)
1 pronged metal washer
2 round SISO metal keys

Specification:
Lock body & cylinder made of zamak
Square front w/straight or rounded
corners
Cam & keys made of steel
400 key combinations
90° turn.
180° on request

Packing:
45 pcs per box
450 pcs per export carton

Item No.:
 \varnothing 19x16 mm, rounded corners,
Chrome plated # 14.04.480

 \varnothing 19x20 mm, rounded corners,
Alu finish # 14.04.481

 \varnothing 19x30 mm, straight corners,
Alu finish # 14.04.505

Other sizes & colors on request

14.04.480



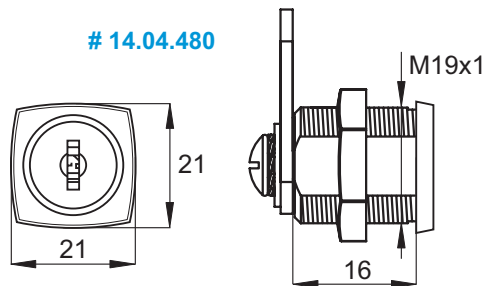
14.04.481



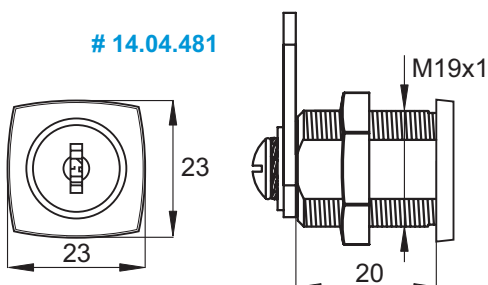
14.04.505



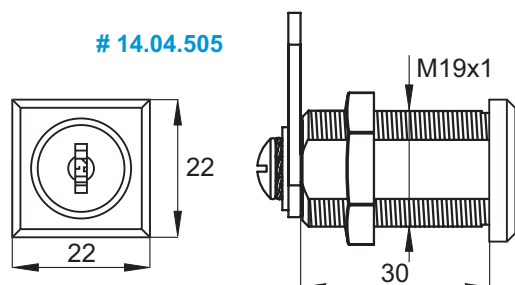
14.04.480



14.04.481



14.04.505



Cam Lock 1920 - 90°
with triangular bit key,
cam No. 9
Item No.: # 14.04.483



Cashier Desk Lock M-1920
180° rotation with 2 stops
at 90° and 180°
Item No.: # 14.04.487



Cam Lock "BIGGI" No. 604
with special cam and handle
and dust cover
Item No.: # 14.08.125



Universal Cam Lock
with double cam No. 145
supplied with 2 different
strikers
Item No.: # 14.04.630



Cam Lock with Tubular Key
Extra Security
2000 key combinations
Supplied in lengths 17, 19, 23,
25, 28 and 30 mm

Item No.: # 14.04.464 etc.



PUSH LOCK NO. 1003



Application:
Sliding doors

Accessories for one set:
1 lock
1 rosette
2 SISO car keys

Function:
To open: turn key
To close: push cylinder
Special model available with security action i.e. lock can not be pushed/closed without inserting and turning the key

Specification:
Zamak lock body & cylinder
Steel rosette & keys
Cylinder dia. 19 mm
Cylinder lengths: 24 mm
400 key combinations or key alike
Master key & Interchangeable system available on request

Option:
Striker A-1002 or 1030
Pin Extension A-1009
5, 10 or 20 mm
upon request

Finish:
Nickel plated
Brass plated
Black anodized

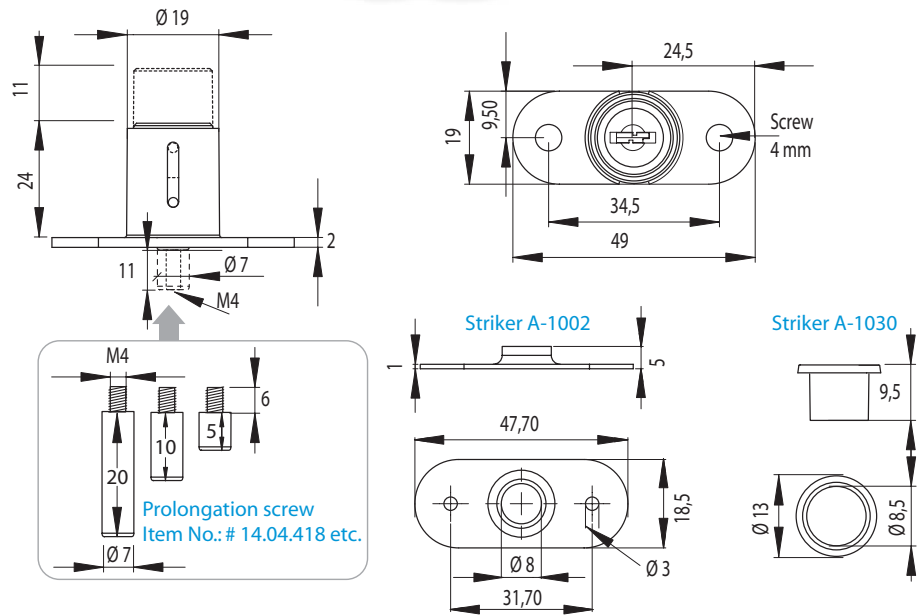
Packing:
24 pcs per box
480 pcs per export carton

Item No.: # 14.03.030 etc.



Special model available with security action i.e. lock can not be pushed/closed without inserting and turning the key

Item No.: # 14.03.025



PUSH LOCK NO. T-1003

Application:
Sliding doors

Accessories for one set:
1 lock $\varnothing 22 \times 24$ mm
1 rosette
1 locking sleeve/striker
2 Tubular SISO car keys

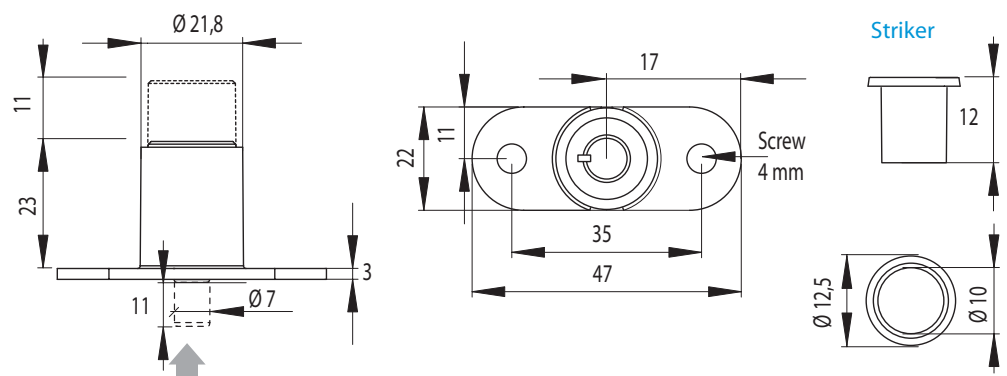
Function:
To open - turn key
Push cylinder to lock

Specification:
Zamak lock body & Cylinder
Steel rosette & locking sleeve
2000 key combinations

Finish:
Nickel plated

Packing:
10 pcs per box
200 pcs per export carton

Item No.: # 14.03.035



Application:
Sliding doors

Accessories for one set:
1 lock
1 rosette
2 SISO car keys

Function:
To open turn key
Push cylinder to lock

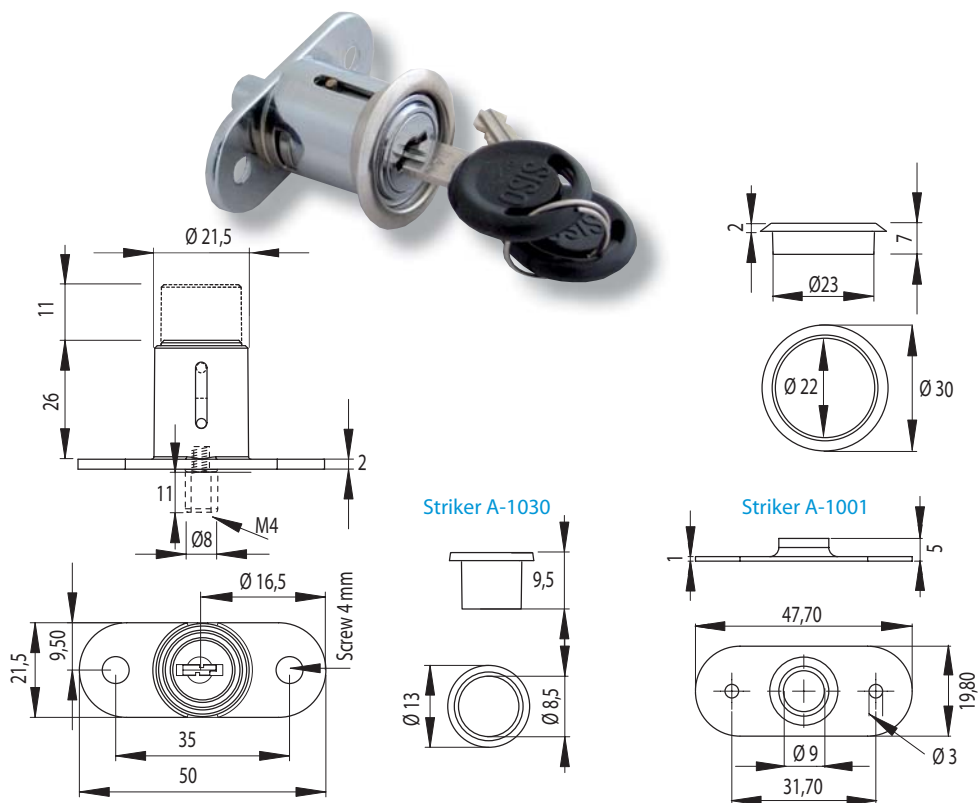
Specification:
Zamak lock body & cylinder
Steel rosette, keys & striker
Cylinder dia. 22 mm
Cylinder lengths: 26 mm
400 key combinations
Master Key system available on request

Option:
Striker A-1030 or A-1001

Finish:
Chrome plated

Packing:
24 pcs per box
480 pcs per export carton

Item No.: # 14.02.980



PUSH LOCK MODEL "BUDAPEST"

Application:
Sliding doors, post boxes and other all round application

Accessories for one set:
1 lock
2 SISO car keys

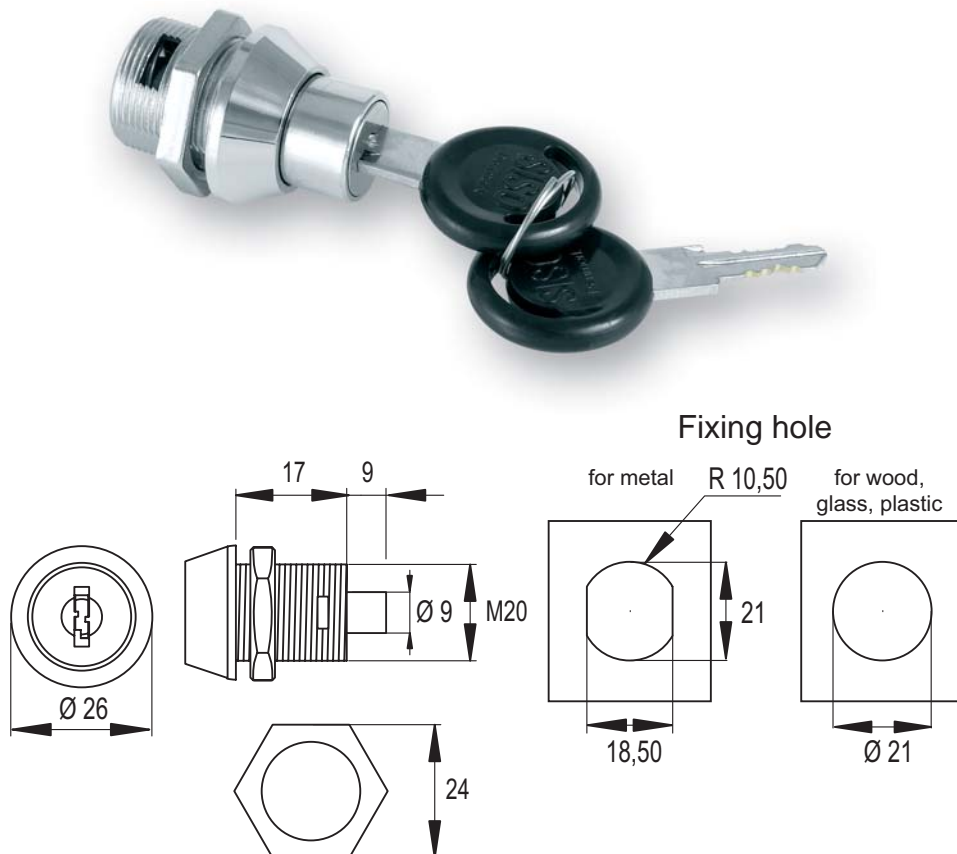
Function:
To open – turn key
Push cylinder to lock

Specification:
Zamak lock body & cylinder
Steel rosette & keys
400 key combinations or key alike

Finish:
Nickel plated

Packing:
40 pcs per box
400 pcs per export carton

Item No.: # 14.03.006



PUSH AND TURN LOCK MODEL "ITALY"



Application:
Sliding doors, drawers, cabinets

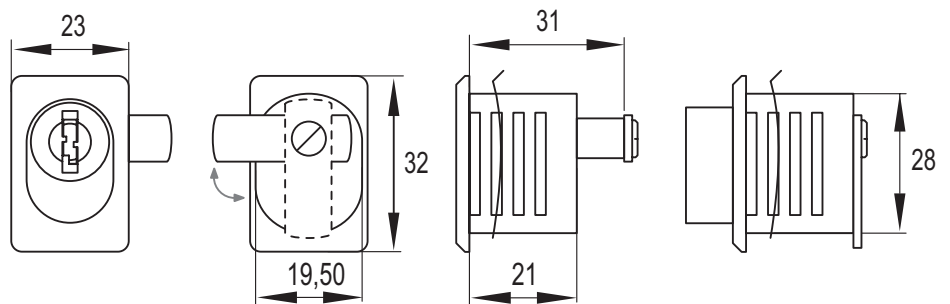
Accessories for one set:
1 lock
2 SISO car keys
1 clip

Function:
To lock push cylinder and turn key to allow cam enter back of the door or into a slot

Specification:
Lock body - black plastic
Zamak cylinder - nickel plated
Steel spring clip, cam & keys
400 key combinations
or key alike

Packing:
40 pcs per box
400 pcs per export carton

Item No.: # 14.03.045



PUSH LOCK - MODEL "CARAVAN"

Material:
Plastic

Application:
Drawers, wardrobes, cabinets in caravans + vessels + airplanes

Universal for right/left/draw application

Accessories for one set:
1 lock
1 rosette
1 push button

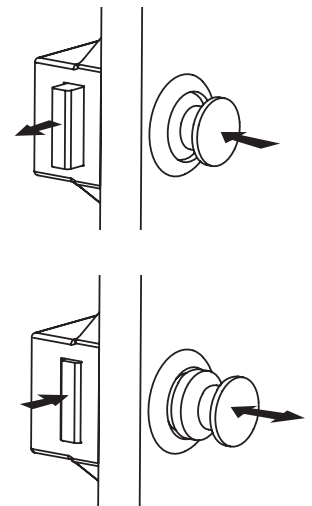
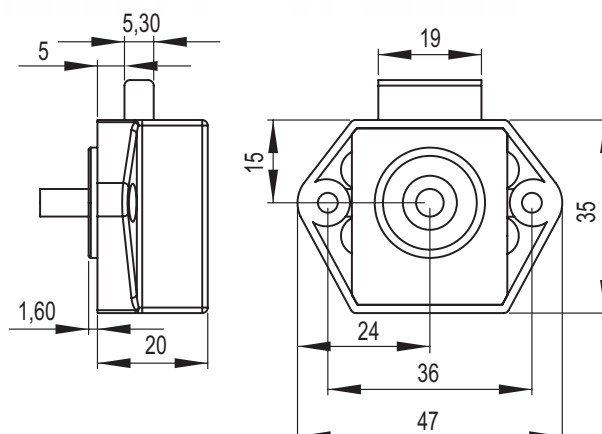
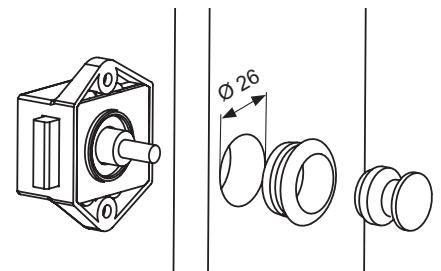
Function:
Close the door, push the knob inside and secure the latch so door will not open until knob is pushed out again

FOR DOOR THICKNESS 16 MM

Finish:
Silver sprayed

Packing:
100 pcs per box
500 pcs per export carton

Item No.: # 14.03.050



Application:
Windows

Accessories for one set:
1 lock body
1 locking sleeve
2 SISO car keys

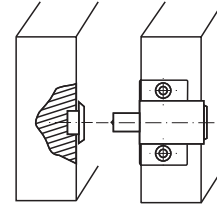
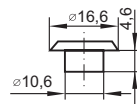
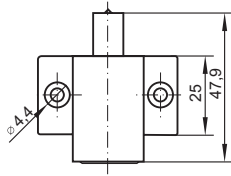
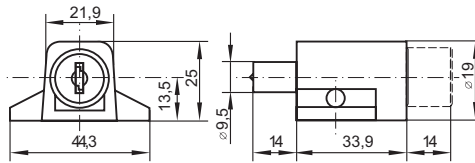
Function:
To close: push cylinder
To open: turn key

Specification:
Zamak lock body & cylinder
Steel sleeve & keys
400 key combinations
Master Key system available on request

Finish:
Chrome plated
Matt nickel plated
White powder painted

Packing:
12 pcs per box
120 pcs per export carton

Item No.: # 14.03.001 etc.



RIM LOCK NO. 281 WITH KNOB

Application:
Bank box rooms and where you want privacy from inside

Accessories for one set:
1 lock
1 front plate
2 striking plate
8 mounting screws
2 SISO metal keys

Function:
Turn 90° to lock/unlock.
By pulling a bolt downwards you block key operation.
From inside you can lock by turning a knob

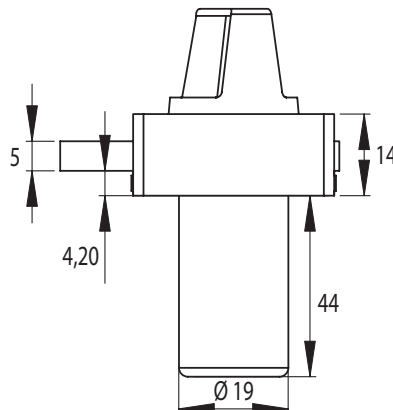
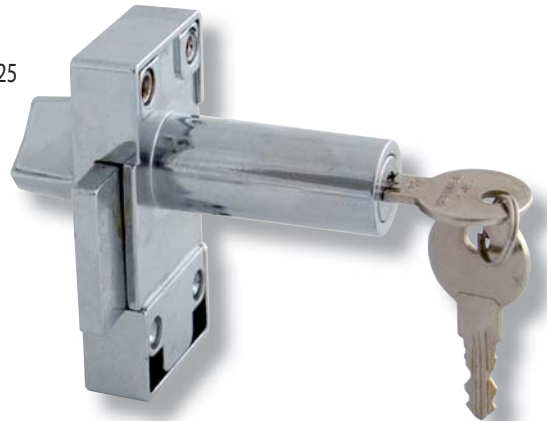
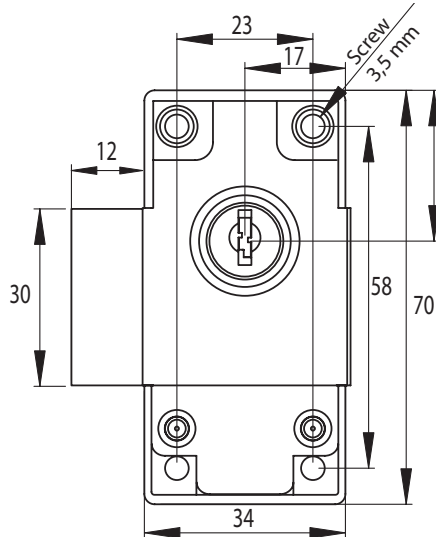
Universal right hand and left hand

Specification:
Zamak lock body & cylinder
Steel strikers, screws & keys
400 key combinations
Master Key system available on request

Finish:
Nickel plated

Packing:
8 pcs per box
96 pcs per export carton

Item No.: # 14.01.230



PADLOCKABLE CAM LOCK NO. 300

Application:

For metal lockers & cabinets.
To be used with Padlock.

Accessories for one set:

- 1 cylinder $\varnothing 19 \times 16, 20, 25$ or 32 mm
- 1 straight cam plate no. 3,11,12 or 99
- Others on request
- 1 hex nut for fixing
- 1 snap clip for fixing
- 1 anti-twist plate

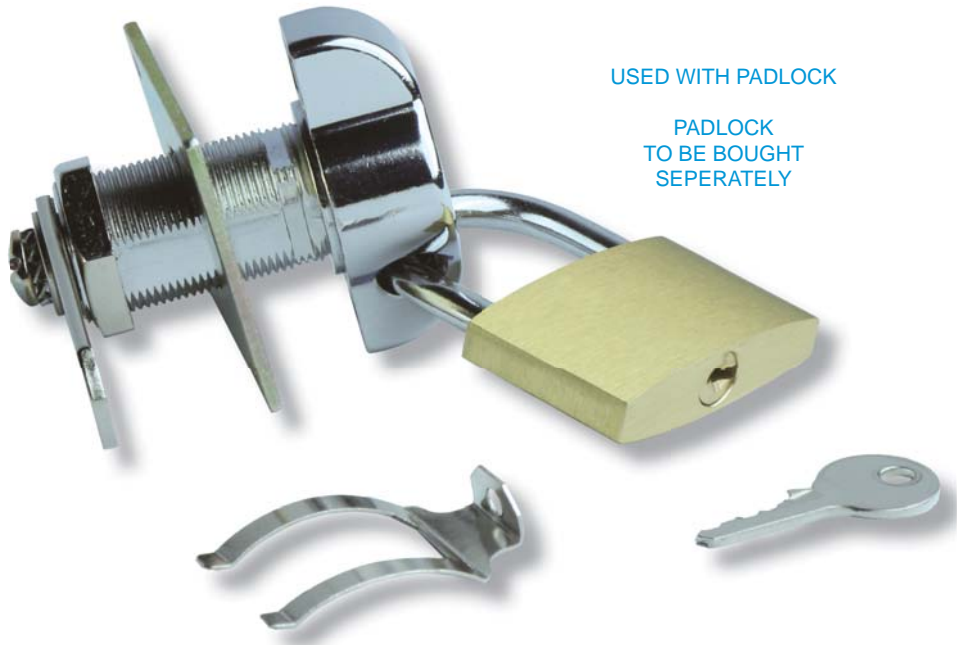
Specifications:

Turn knob & cylinder made of zamak.
Cam, clip & hex nut made of steel, NPL
90° turn. Right hand
F/Shackle size $\varnothing 5 - 7$ mm – 16mm width
Chrome Pl. or Black Anodized

Packing:

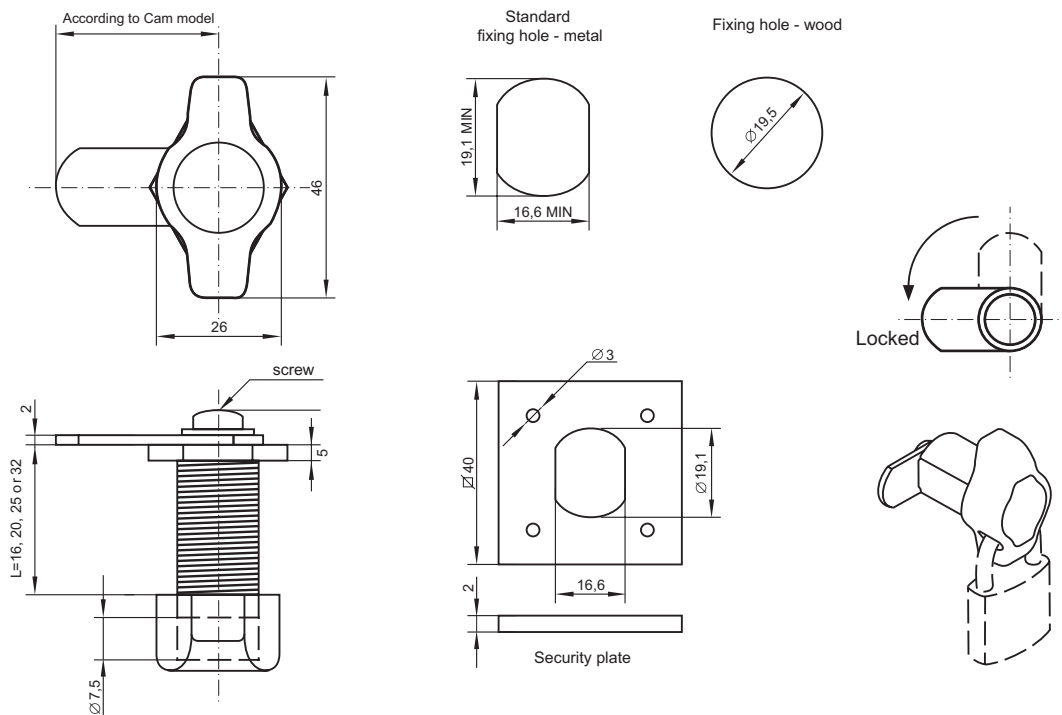
- 20 pcs per box
- 200 pcs per export carton

Item No.: # 14.04.585 etc.



USED WITH PADLOCK

PADLOCK
TO BE BOUGHT
SEPERATELY



Application:

For metal lockers & cabinets.
To be used with Padlock.

Accessories for one set:

- 1 cylinder $\varnothing 19 \times 20$ or 32 mm
- 1 cam plate ce.: $34,5 \times 2$ mm
- 1 serrated hex nut

Specifications:

Turn knob & cylinder made of zamak.
Cam and hex nut made of steel, NPL
90° turn. Right hand
With shackle hole $\varnothing 7,5$ mm or $\varnothing 10$ mm
Chrome plated finish

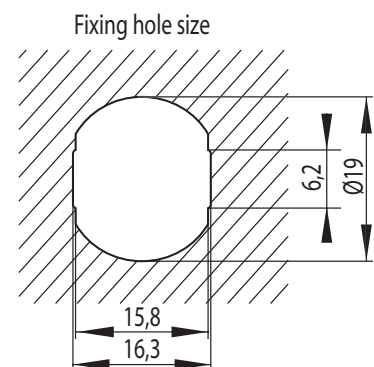
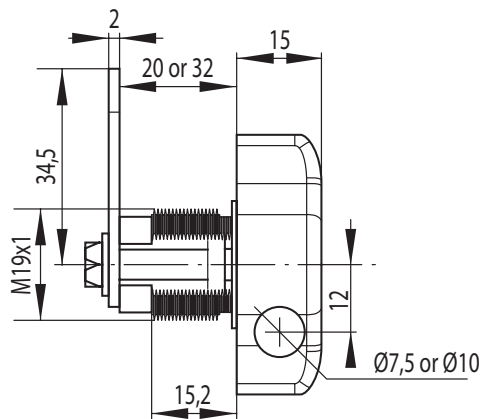
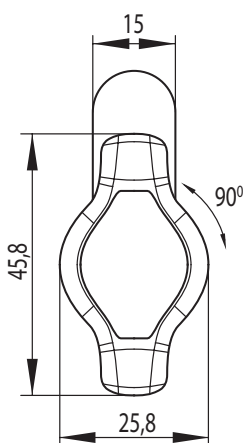
Size: $\varnothing 19 \times 22$ mm

F/Shackle size $\varnothing 5 - 6 \times 18$ mm width
Item No.: # 14.04.572

F/Shackle size $\varnothing 5 - 8 \times 15$ mm width
Item No.: # 14.04.573

Size: $\varnothing 19 \times 32$ mm

F/Shackle size $\varnothing 5 - 8 \times 15$ mm width
Item No.: # 14.04.577



COMBINATION PADLOCK 4-DIGITS W/MASTER KEY



Application:

For metal lockers & cabinets. To be used with Padlockable cam lock.

Accessories for one set:

1 padlock body - 41,5 x 81,6 x 18,5 mm (W/H/D)

1 shackle - $\varnothing 6,3$ x 32mm outer width

Specifications:

Lock body - zamak – black anodized

Shackle made of hardend steel

4 digits from 0 - 9

Pre-coded 0000. Code can be re-set.

W/master key system AP001

Item No.:

Lock # 14.04.594-0






Master key # 14.04.594-9



SETTING YOUR OWN COMBINATION

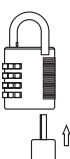
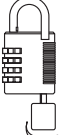
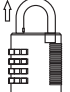
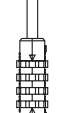
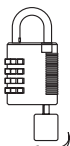
Your new resettable combination padlock is preset to open at 0-0-0-0, even though dials may be positioned at other numbers.

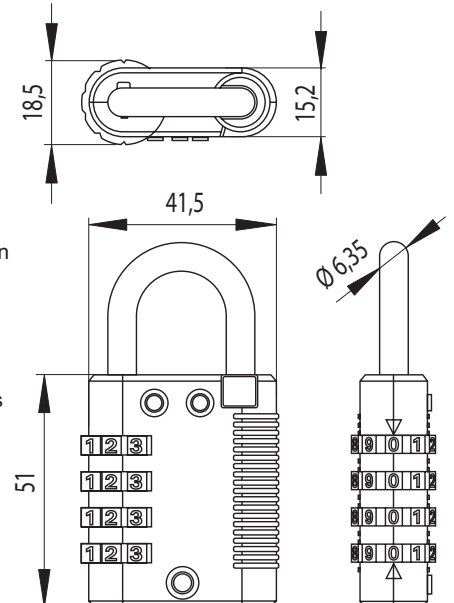
To reset combination:

-  **Step 1**
Turn the dials and align the numbers to preset combination 0-0-0-0.
-  **Step 2**
Pull out the shackle.
-  **Step 3**
Turn the shackle counterclockwise 90°.
-  **Step 4**
Press the shackle down and turn it counterclockwise 90° turn the dials to your own desired combination. Turn the shackle clockwise 90° and pull it up and turn it clockwise 90° back to lock position.
-  **Step 5**
To the original position. Your new personal combination is now ready to use.

HOW TO CHECK THE MISSING COMBINATION

When forget the number, you can use Master Key to open the lock and decode the number.

-  **Step 1**
Use the master key.
-  **Step 2**
Turn the key 90° clockwise to open the lock and release shackle.
-  **Step 3**
Rotate the dials, till it stop. (do this process for all dials)
-  **Step 4**
Then you got the previous setting combination.
-  **Step 5**
After you found the opening combination. Please remember to close the cab then take out the key. The lock can be used again.



Application:

Side mounted central lock on left or right side of the pedestal

Accessories for one set:

- 1 lock with premounted aluminium locking bar
- 500, 600, 800 or 1200 mm
- Other lengths upon request
- 1 rosette
- 2 bar guides
- 3 adj. pegs 13 mm
- 2 SISO car keys
- 4 mounting screws

Function:

Turn key 180° locking bar moves down 9 mm to lock any numbers of drawers

Specification:

- Lock, pegs - zamak
- Locking bar - aluminium
- Rosette, keys, screws - steel
- Bar guides - steel
- 400 different key combinations
- Master key & Interchangeable system available on request

Option:

- Adjustable pegs
- 5, 6, 8, 11 or 19 mm
- available from stock

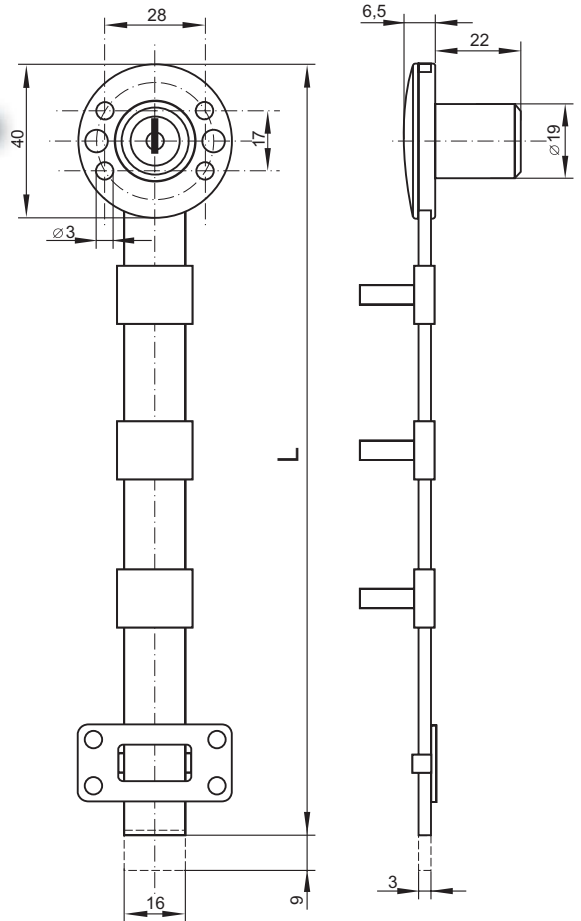
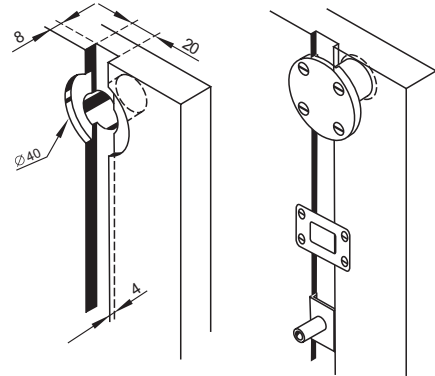
Finish:

- Nickel plated
- Other finish upon request

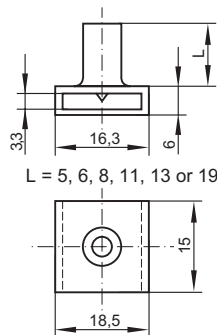
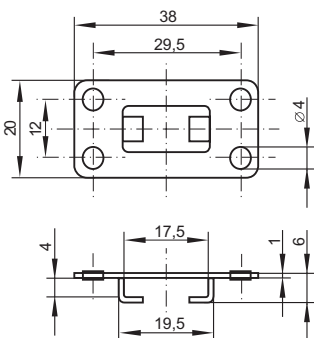
Packing:

- 12 pcs per box
- 120 pcs per carton

Item No.: # 14.01.319 etc.



L = 500, 600, 800 or 1200 mm



CENTRAL LOCK NO. 1101



Application:

Central lock mounted into side of the pedestal either right or left side suitable only where drawer front goes inside the cabinet

Accessories for one set:

- 1 lock body
- 2 SISO car keys

Locking bars & accessories to be bought separately

Function:

Push cylinder and locking bar move up 9 mm to block or lock the drawers
To open: turn key and locking bar move down to open drawers

Specifications:

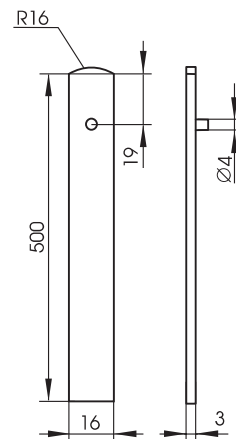
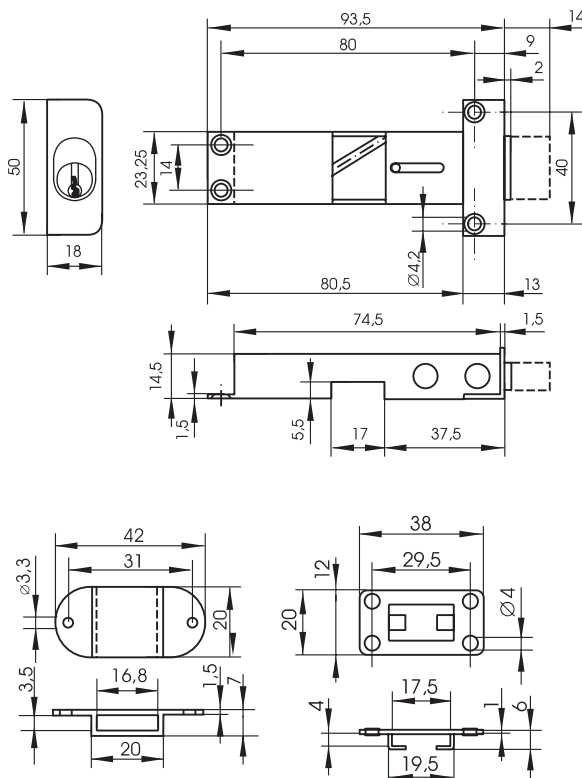
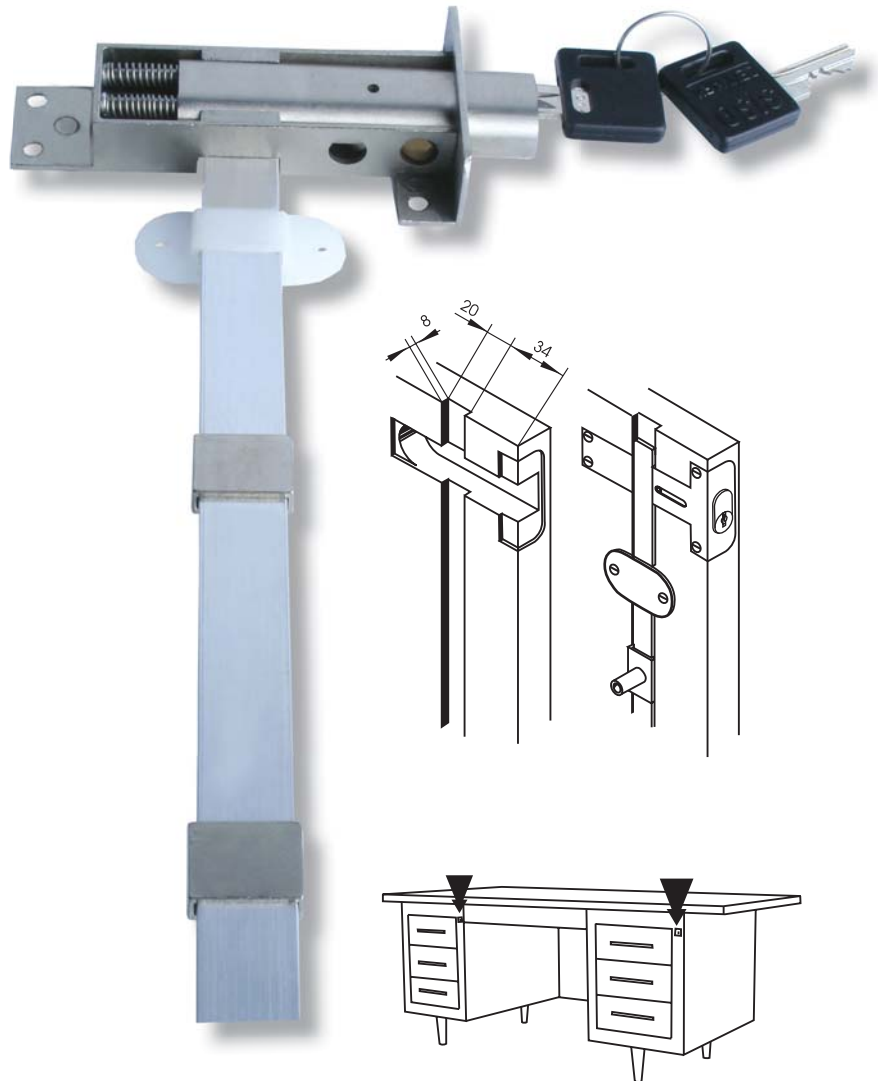
- Lock body - zamak
- Cylinder - brass
- Keys - steel
- 600 key combinations

Finish:

Nickel plated

Item No.:

- Lock with keys: # 14.03.036-0
- Alu. locking bar 500 mm # 14.03.036-9
- Adjustable pegs 13 mm # 14.04.330
- Bar Guide - plastic # 14.03.285



L = 5; 6; 8; 11; 13 or 19 mm

Accessories for one set:

- 1 lock body
- 1 rosette
- 1 locking bar 500, 600, 700, 800
- 2 bar guides metal
- 3 adj. pegs 13 mm
- 2 SISO car keys

Function:

Turn key 180° the locking bar move up to block/lock any numbers of drawers

Specification:

Lock, pegs - zamak
Locking bar - aluminium
Rosette, key - steel
400 key combinations
Master key & Interchangeable system available on request

Option:

Adj. pegs 5, 6, 8, 11, or 19 mm
Available on stock other
Lengths of locking bars
On stock 1200 and 1300 mm

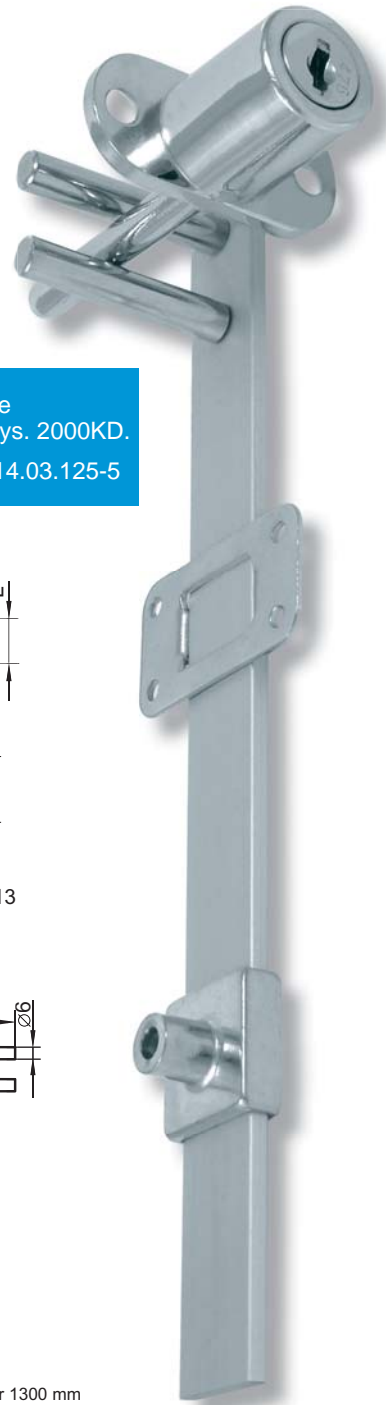
Finish:

Nickel plated
Black anodized
Aluminium finish
Other finishes upon request

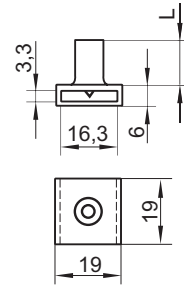
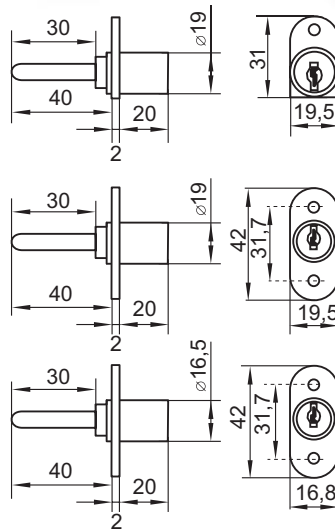
Packing:

24 pcs per box
120 pcs per export carton

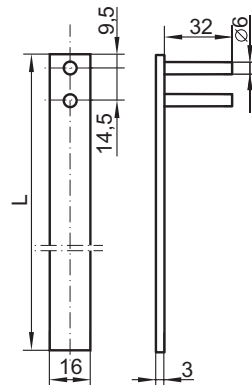
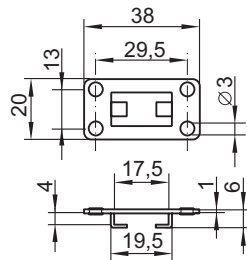
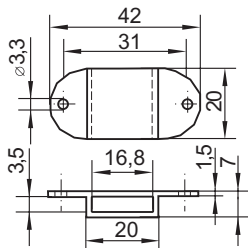
Item No.: # 14.03.104 etc.



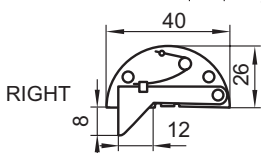
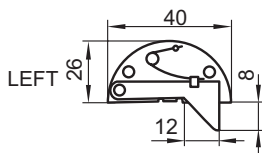
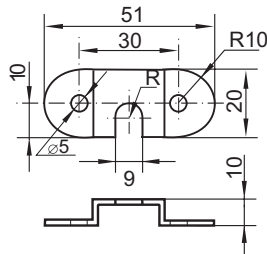
Also available w/Tubular keys. 2000KD.
Item No.: # 14.03.125-5



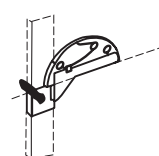
L = 5, 6, 8, 11, 13 or 19 mm



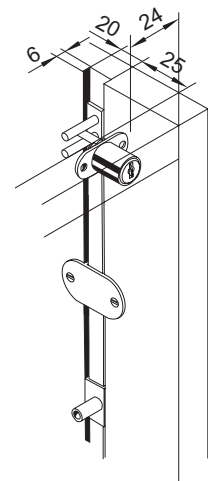
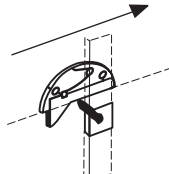
L = 500, 600, 700, 800, 1200 or 1300 mm



CLOSED

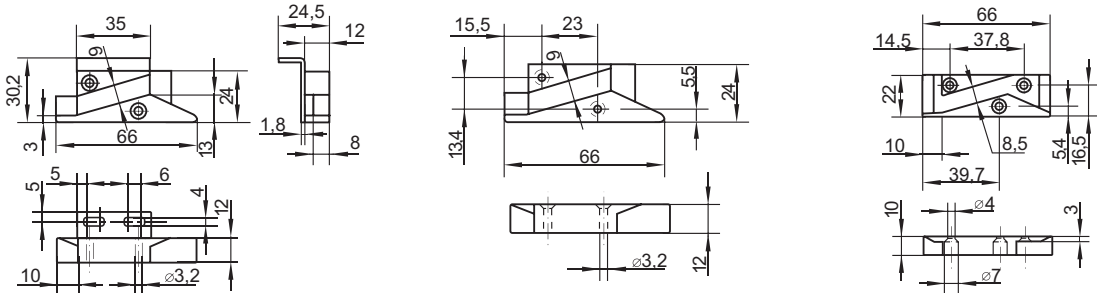


TO CLOSE

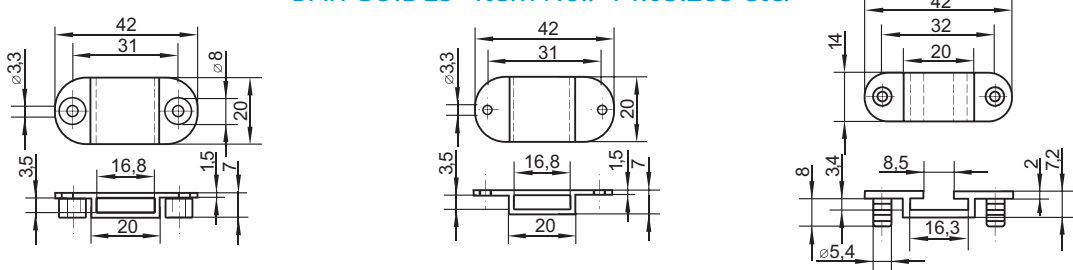


Central lock No. 1018 as described and illustrated on separate page for this lock, but here on this page illustrated as a simple antitilt solution mainly applied on PEDESTALS. Illustrated below are special locking bar needed for this system and different accessories. Please advise all sizes: L, A, B, C to customize bars for you.

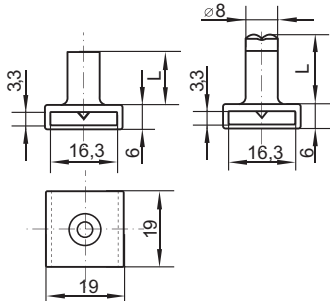
ANTITILT BLOCKS Item No.: 14.03.270 etc.



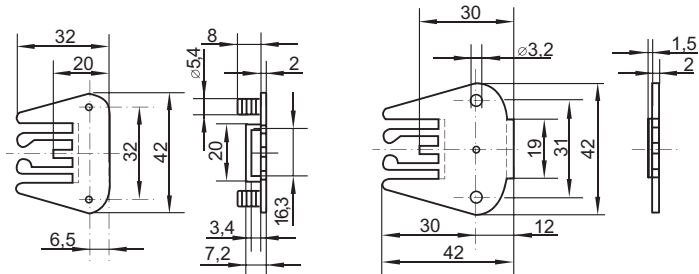
BAR GUIDES Item No.: 14.03.285 etc.



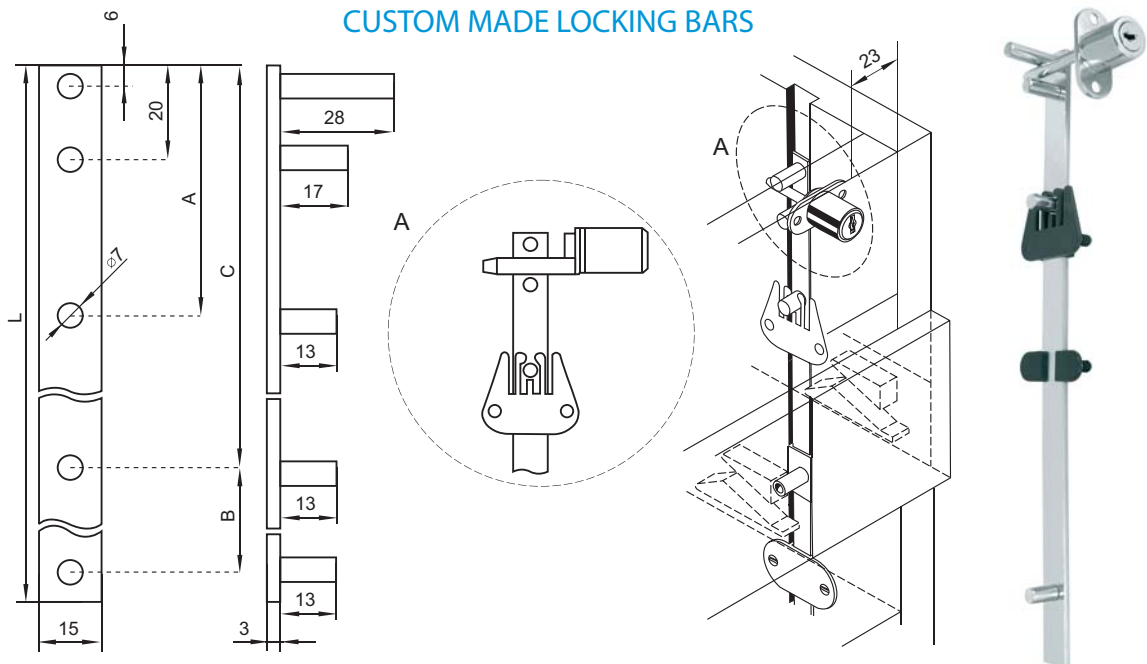
ADJUSTABLE PEGS Item No.: 14.04.309 etc.



CATCH GUIDES Item No.: 14.03.280 etc.



CUSTOM MADE LOCKING BARS



Application:

Central lock mounted into side of the pedestal either right or left side suitable only where drawer front goes inside the cabinet

Accessories:

- 1 lock body
- 1 mounting clip
- 1 locking bar 500 or 700 mm others lengths upon request
- 3 adj. pegs 13 mm standard
- 2 bar guides
- 2 SISO car keys

Function:

Turn key 180° and locking bar moves up to lock/block any amount of drawers

Specification:

- Lock, pegs - zamak
- Clip, key, bar guides - steel
- Locking bar - aluminium
- 400 key combinations
- Master Key system available on request

Options:

Adjustable pegs 5, 6, 8, 11 or 19 mm available on stock

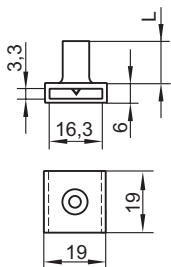
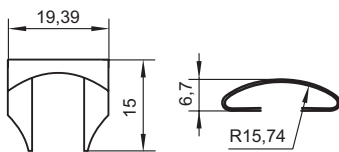
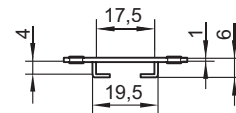
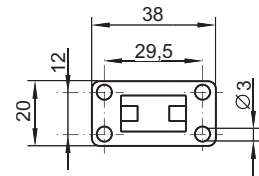
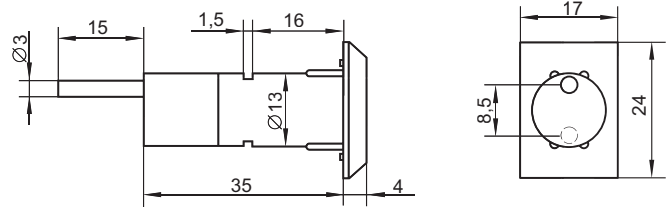
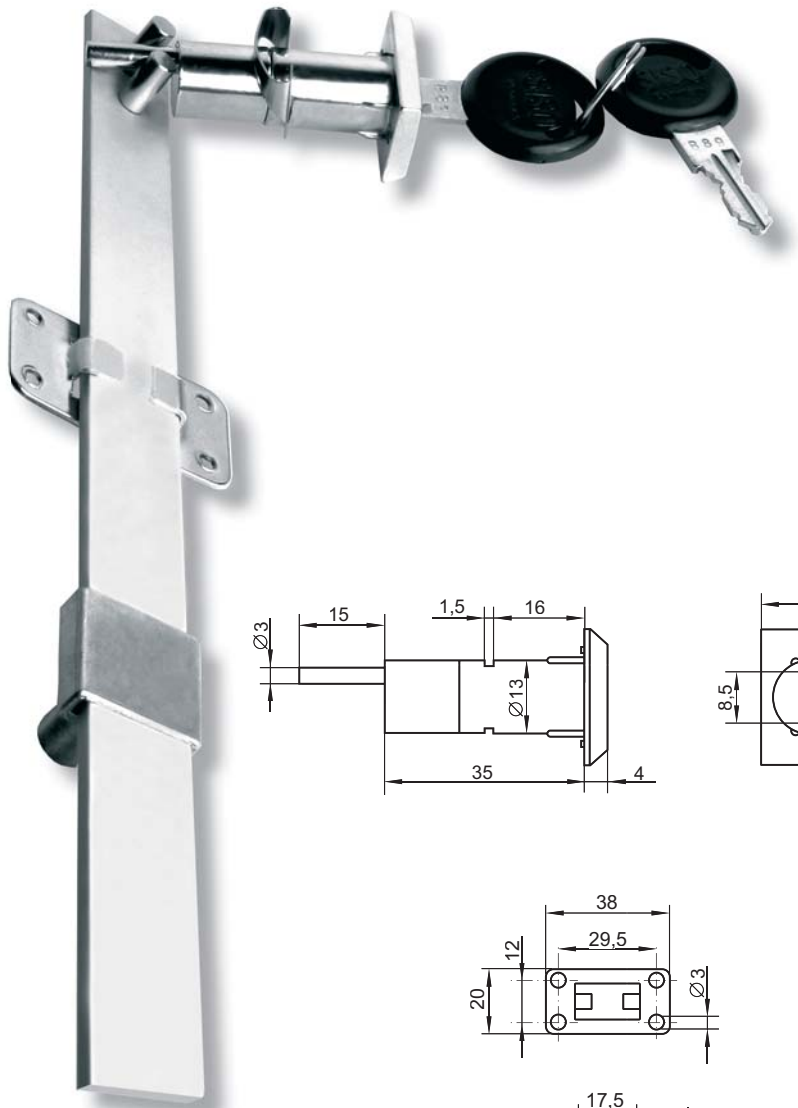
Finish:

Nickel plated

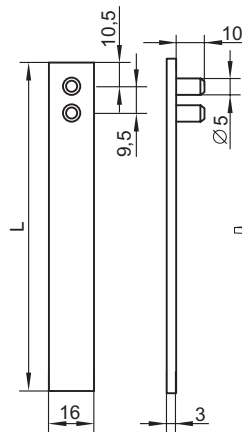
Packing:

24 pcs per box

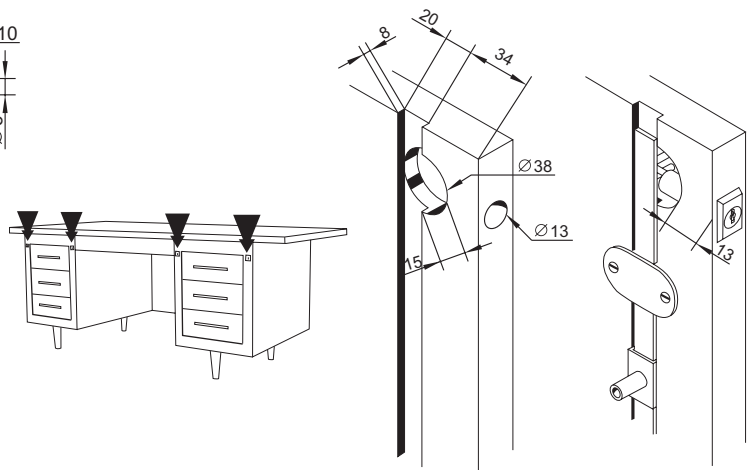
Item No.: # 14.04.025 etc.



L = 5, 6, 8, 11, 13 or 19 mm



L = 500 or 700 mm



FLAP LOCK NO. 9411, PLASTIC HOUSE

Application:

Flap doors

Accessories:

- 1 lock
- 1 rosette
- 1 striking plate
- 2 metal keys

Function:

To close: push cylinder and turn key
 To open: turn key
 Key removable in locked position only

Specification:

Plastic lock body
 Steel cylinder, striker, cam, rosette & keys
 Key alike only

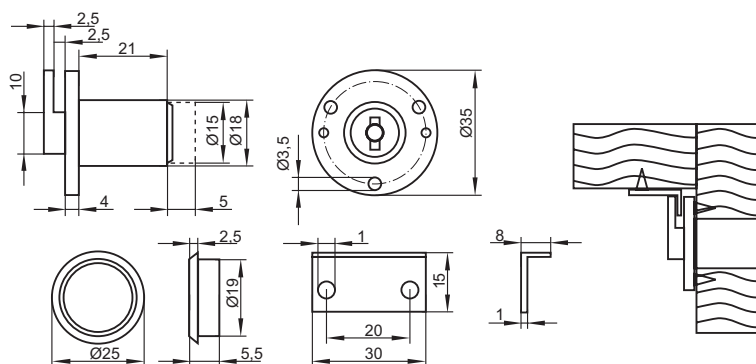
Finish:

- White body - Nickel plated cylinder
- Brown body - Brass plated cylinder
- Brown body - Bronze plated cylinder
- Brown body - Nickel plated cylinder
- Black body - Nickel plated cylinder

Packing:

- 12 pcs per box
- 300 pcs per export carton

Item No.: # 14.07.110 etc



FLAP LOCK NO. 9411, ALL METAL

Application:

Flap doors

Accessories:

- 1 lock
- 1 rosette
- 1 striking plate
- 2 SISO car keys

Function:

To close: push cylinder and turn key
 To open: turn key

Key removable in locked and unlocked position

Specification:

Zamak lock body & cylinder
 Steel rosette,striker & keys
 400 key combinations
 Master Key system available on request

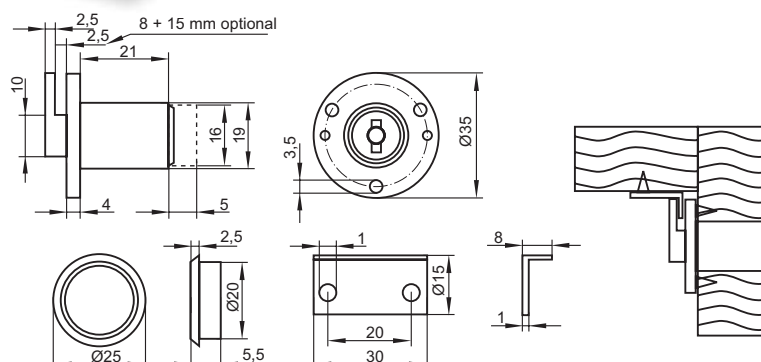
Finish:

- Nickel plated
- Brass plated
- Bronze plated

Packing:

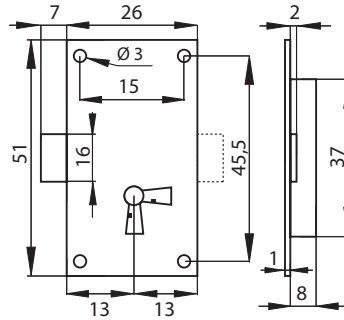
- 12 pcs per box
- 300 pcs per export carton

Item No.: # 14.07.104



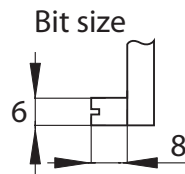
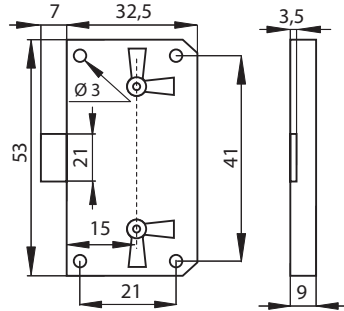
Item No.: # 14.06.145

CUPBOARD LOCK "AFRIC"
 Yellow zinc plated, double handed
 2 lever = 10 differs
 Each lock supplied with
 2 neutral zamak keys
 For vertical + horizontal use
Packing:
 25 pcs per box
 250 pcs per carton



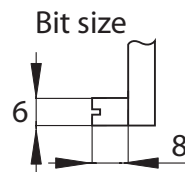
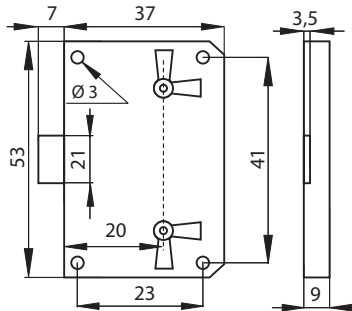
Item No.: # 14.06.212

BOX LOCK No. 2110 - 15 mm backset
 Universal for right/left or draw application
Finish:
 Nickel, brass or bronze plated
Locking system:
 For eurobit key - 1 lever key no differs
Packing:
 40 pcs per box
 400 pcs per carton



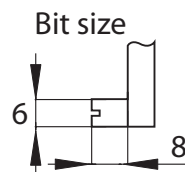
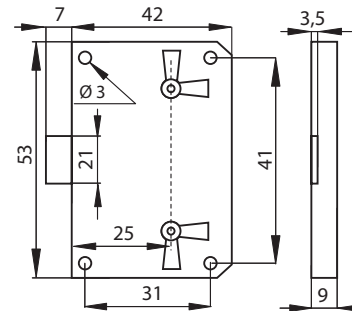
Item No.: # 14.06.215

BOX LOCK No. 2110 - 20 mm backset
 Universal for right/left or draw application
Finish:
 Nickel, brass or bronze plated
Locking system:
 For eurobit key - 1 lever key no differs
Packing:
 40 pcs per box
 400 pcs per carton



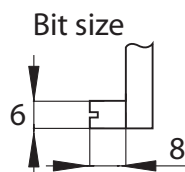
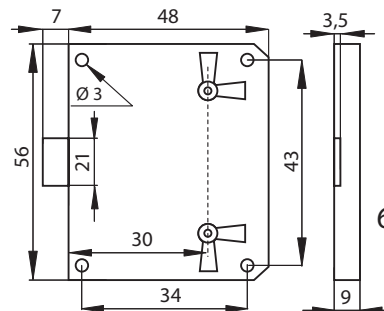
Item No.: # 14.06.235

BOX LOCK No. 2110 - 25 mm backset
 Universal for right/left or draw application
Finish:
 Nickel, brass or bronze plated
Locking system:
 For eurobit key - 1 lever key no differs
Packing:
 40 pcs per box
 400 pcs per carton



Item No.: # 14.06.245

BOX LOCK No. 2110 - 30 mm backset
 Universal for right/left or draw application
Finish:
 Nickel, brass or bronze plated
Locking system:
 For eurobit key - 1 lever key no differs
Packing:
 30 pcs per box
 300 pcs per carton



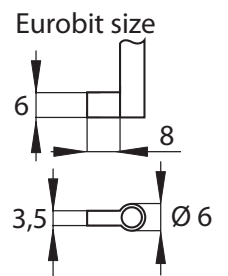
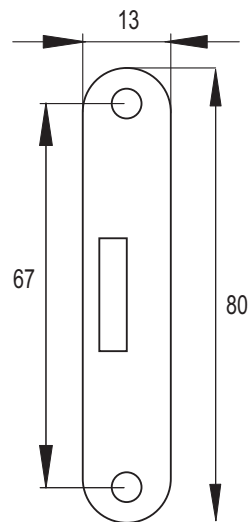
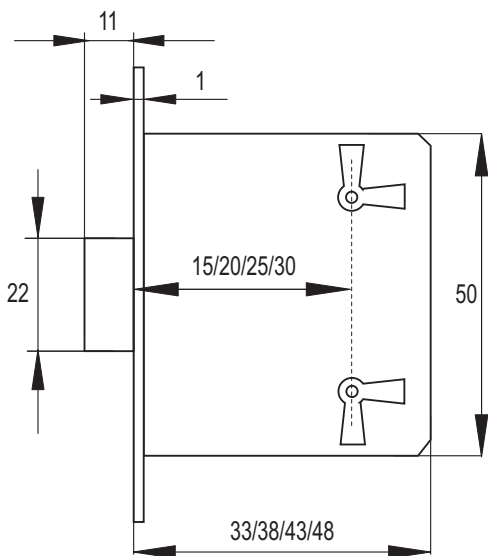
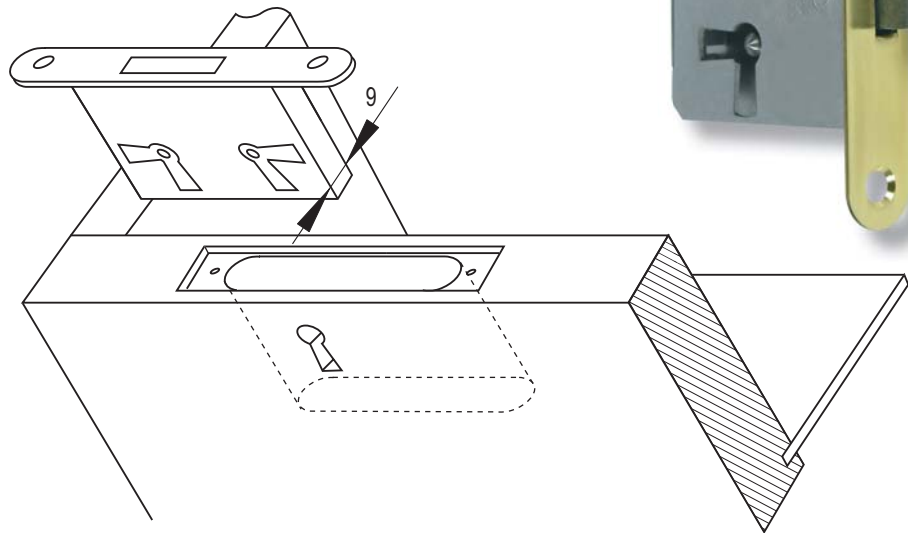
Application:
Universal left, right and draw

Specification:
For eurobit key - 1 lever key
Lock made of plain steel
Rounded front plate made of brass
Key alike
From 15 to 30 mm backset

Packing:
50 pcs per box
400 pcs per carton

Item No.:

15 mm backset	# 14.06.028
20 mm backset	# 14.06.029
25 mm backset	# 14.06.030
30 mm backset	# 14.06.035



MORTISE CHEST LOCK
- 20 mm backset

Function:

Right hand and draw position
Front plate + striking plate brass rounded
Lock body steel plain

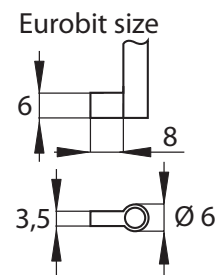
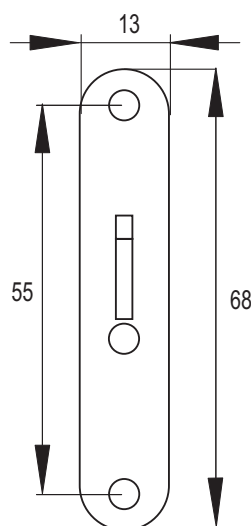
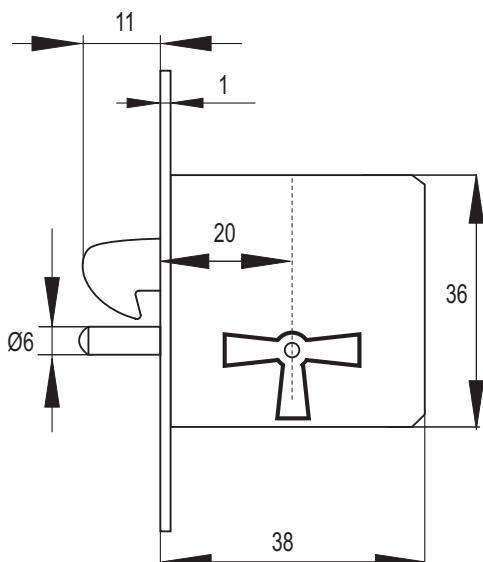
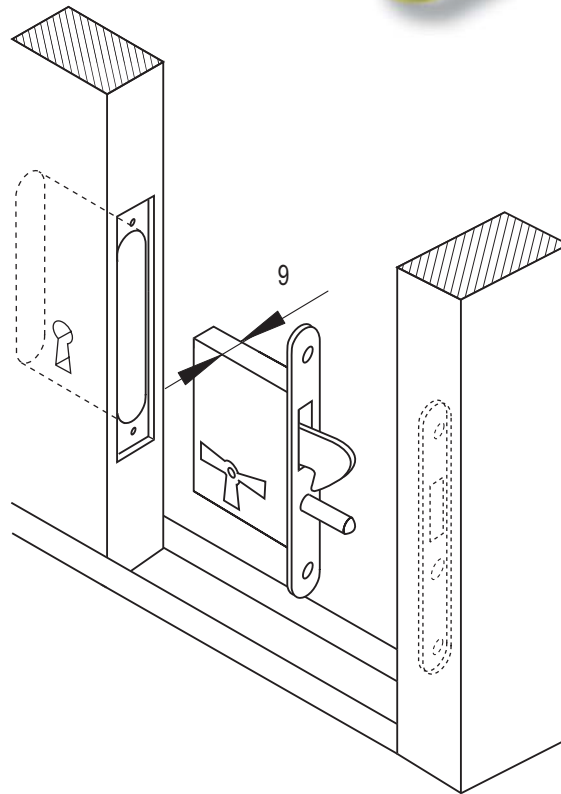
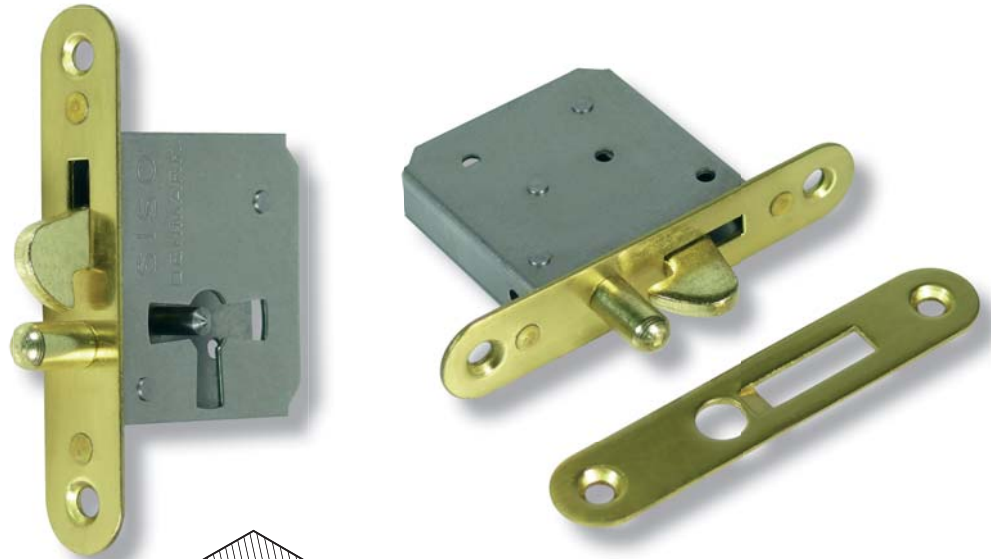
Locking system:

For eurobit key - 1 lever key
Key alike

Packing:

50 pcs per box
500 pcs per carton

Item No.: # 14.06.064



MODEL 7771 - effective shaft lengths 40 mm
Zamak, nickel plated, brass plated and bronze plated



Item No.:
14.10.055 etc.

MODEL 7772 - effective shaft lengths 35 mm
Zamak, nickel plated, brass plated and bronze plated



Item No.:
14.10.050 etc.

MODEL 0007 - effective shaft lengths 35 mm
Zamak, nickel plated, brass plated and bronze plated



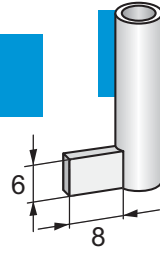
Item No.:
14.10.240 etc.

MODEL K-1026 - effective shaft lengths 42 mm
Zamak, nickel plated and brass plated



Item No.:
14.10.080 etc.

ALL KEYS SUPPLIED WITH EUROBIT...
for 1 lever locks only



MODEL 9512 - effective shaft lengths 35 mm
Zamak, nickel plated, brass plated, bronze plated and chrome plated



Item No.:
14.10.200 etc.

MODEL "MMI" - with beech or maple wooden head,
effective shaft lengths 35 mm
Zamak, matt nickel plated



Item No.:
14.10.060 etc.

MODEL 7170 - effective shaft lengths 35 mm
Zamak, nickel plated, brass plated and bronze plated



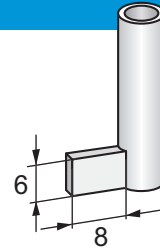
Item No.:
14.10.210 etc.

MODEL "LYRE" - effective shaft lengths 45 mm
Zamak brass plated and bronze plated



Item No.:
14.10.170 etc.

ALL KEYS SUPPLIED WITH EUROBIT...
for 1 lever locks only



MODEL 1028 - effective shaft lengths 18 mm
Zamak, nickel plated, brass plated and bronze plated



Item No.:
14.10.070 etc.

MODEL "REGENCY"
Zamak, nickel plated, brass plated and bronze plated



Item No.:
14.10.218 etc.

MODEL "ROCOCO" - effective shaft lengths 40 mm
Zamak, nickel plated, brass plated and bronze plated



Item No.:
14.10.206 etc.

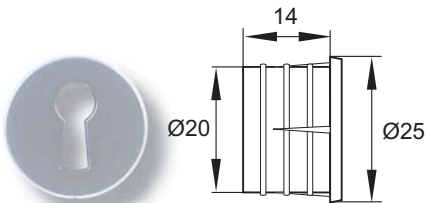
MODEL "DIMINUTIVE" - effective shaft lengths 35 mm
Zamak bronze plated. Other finish upon request



Item No.:
14.10.046

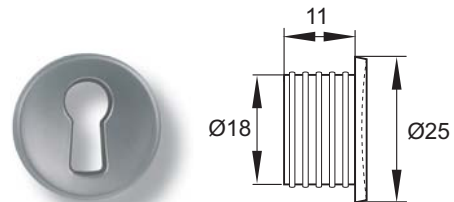
PLASTIC ROUND Nickel Plated Matt

Front \varnothing 25 mm - knock in 20 mm \varnothing x 14 mm
Item No.: # 14.11.040



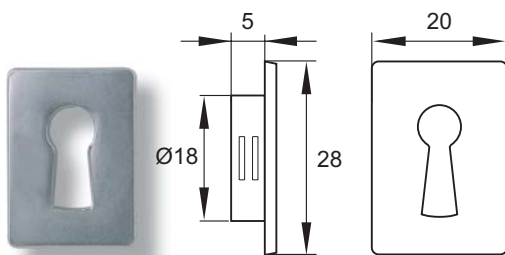
ZAMAK ROUND Nickel Plated Matt

Front \varnothing 25 mm - knock in 18 mm \varnothing x 14 mm
Item No.: # 14.11.041



PLASTIC RECTANGULAR Nickel Plated Matt

Front 20 x 28 mm - knock in 20 mm \varnothing x 5 mm
Item No.: # 14.11.061



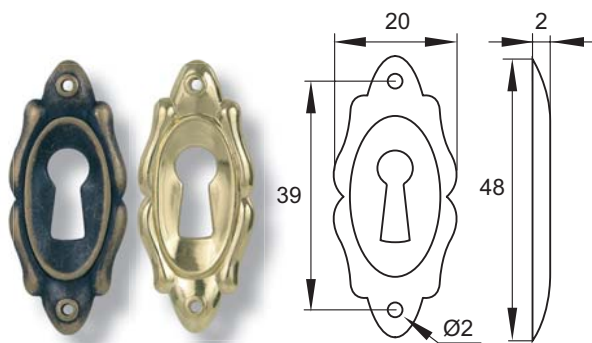
ZAMAK ANTIQUE Nail On Type Bronze or Brass Plated

Front 25 x 45 mm
Item No.: # 14.11.170 etc.



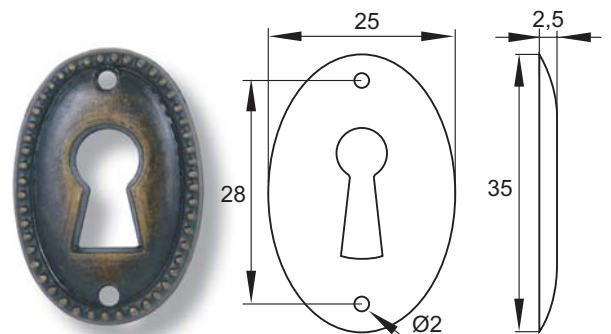
ZAMAK OVAL Nail On Type Bronze or Brass Plated

Front 20 x 48 mm
Item No.: # 14.11.150 etc.



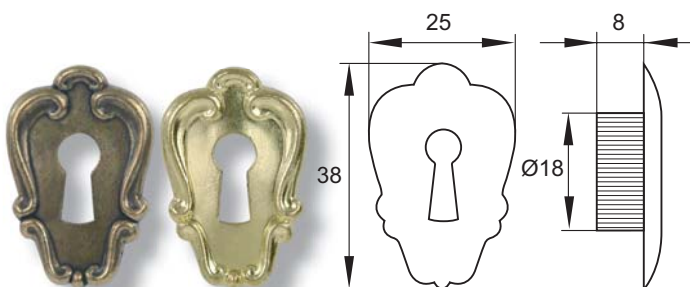
MODEL No. 7891

Front 25 x 35 mm
Item No.: # 14.11.205



ZAMAK ANTIQUE Bronze or Brass Plated

Front 25 x 38 mm - knock in 18 mm \varnothing x 8 mm
Item No.: # 14.11.180 etc.



Application:

Wardrobes, lockers, cabinets and others

Accessories one set:

- 1 lock right or left handed 16,5 or 19 mm cyl. diam
- 1 rosette
- 2 SISO car keys
- 2 hooks and holders top and bottom
- 2 bar guides
- 2 stoppers either eccentric or triangular

Locking bars to be ordered separately
 Available in lengths of 1000, 1200, 1500 and 2000 mm in nickel plated, brass plated and bronze plated

Function:

Turn key and locking bars will rotate. Hooks will move behind the stops. Cam extend from the lock case and door will be locked at 3 points

Specification:

- 400 different key combinations or key alike
- 15 mm backset
- 25 mm backset on request
- Master key & Interchangeable system available on request

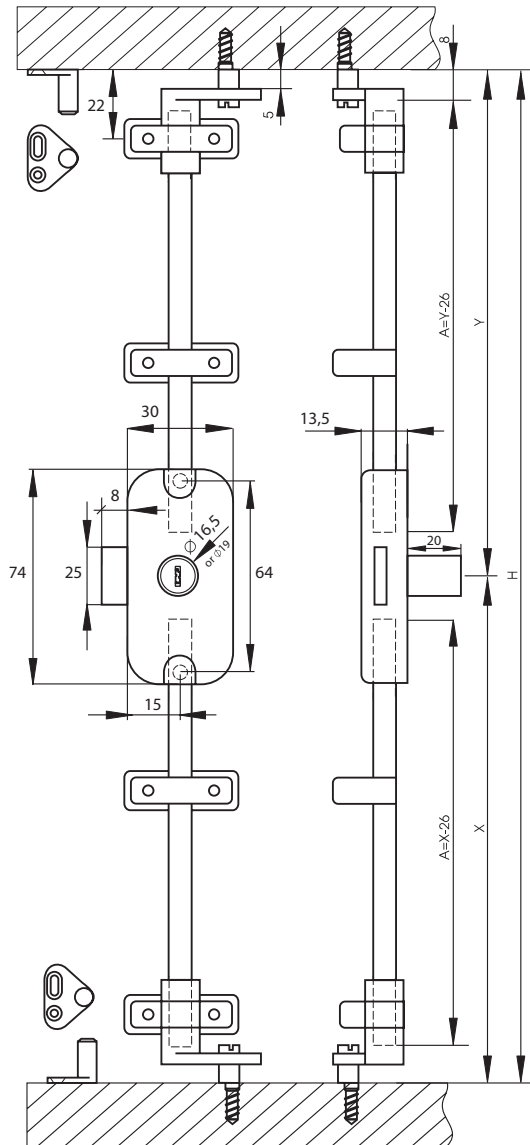
Finish:

Zamak body in nickel plated, aluminium finish or black zinc
 Plastic body in burgundy or black

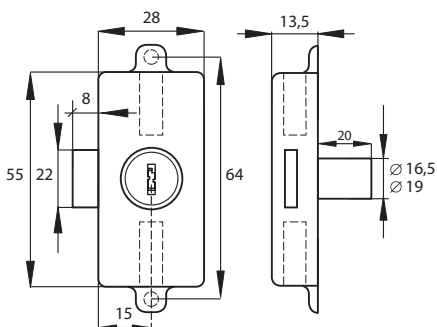
Packing:

- 12 pcs per box
- 120 pcs per carton

Item No.: # 14.05.268 etc.



LOCK NO.H-922 "MIC"
Item No.: # 14.05.284 etc.



ESPAGNOLETTE LOCK NO. 922 WITH KNOCK IN SOCKETS



Application:

Wardrobes, lockers, cabinets and others

Accessories one set:

- 1 lock right or left handed 16,5 or 19 mm cyl. diam
- 1 rosette
- 2 SISO car keys
- 2 hooks and holders top and bottom
- 2 bar guides
- 2 stoppers either eccentric or triangular

Locking bars to be ordered separately. Available in lengths of 1000, 1200, 1500 and 2000 mm in nickel plated, brass plated and bronze plated

Function:

Turn key and locking bars will rotate. Hooks will move behind the stops. Cam extend from the lock case and door will be locked at 3 points

Specification:

- 400 different key combinations or key alike
- 15 mm backset
- 25 mm backset on request
- Master key & Interchangeable system available on request

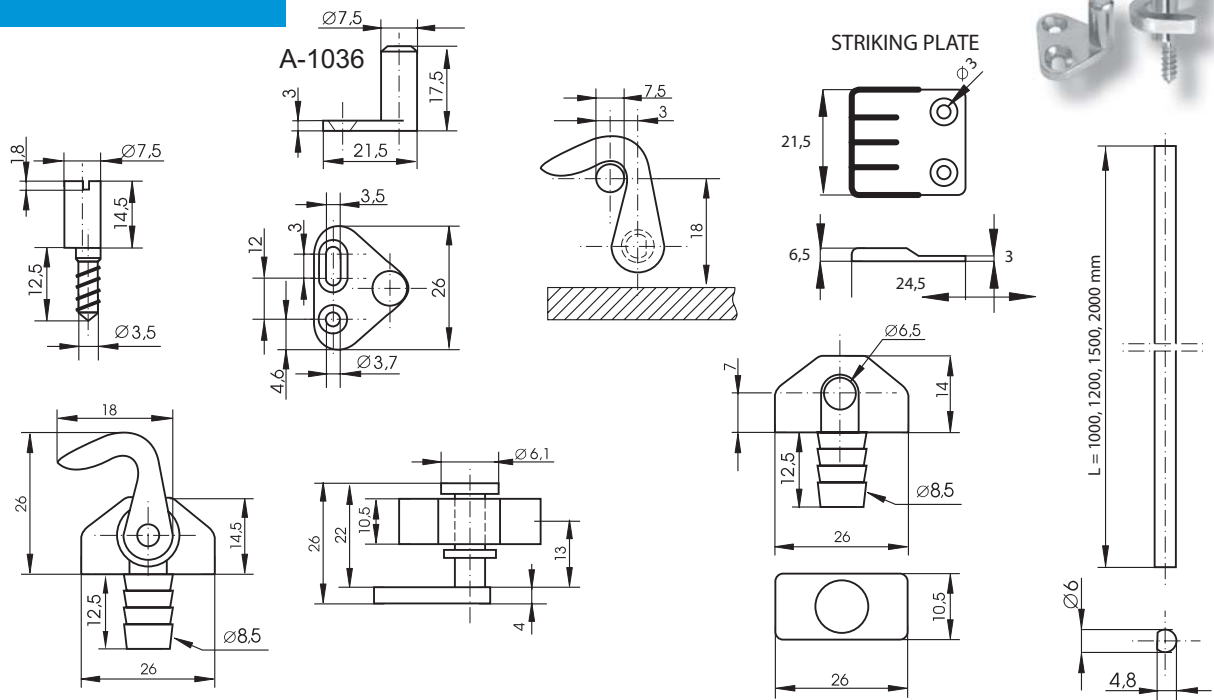
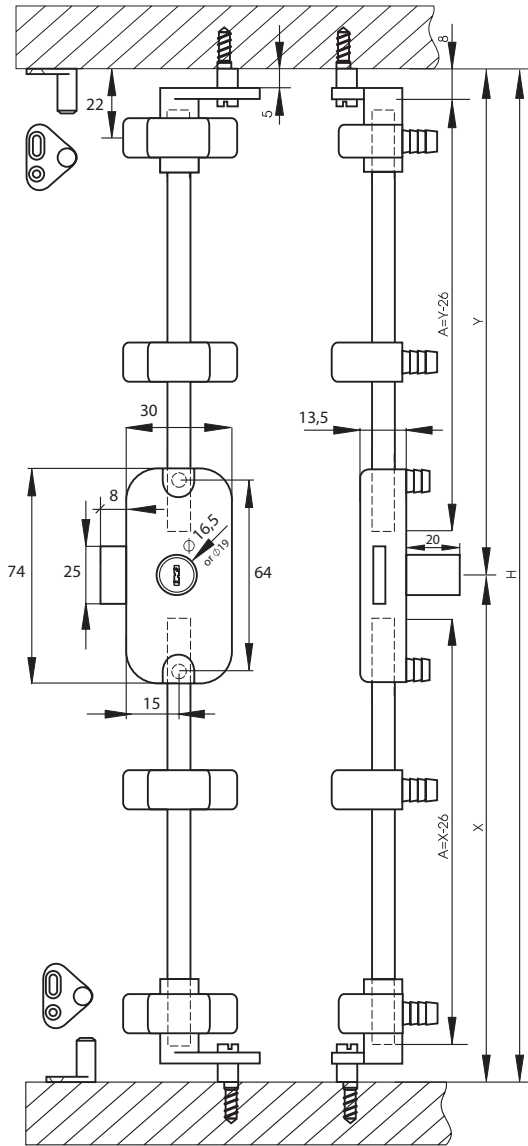
Finish:

Zamak body in nickel plated, aluminium finish or black zinc
Plastic body in burgundy or black

Packing:

- 12 pcs per box
- 120 pcs per carton

Item No.: # 14.05.281 etc.



Application:

Wardrobes, lockers and cabinets

Accessories one set:

- 1 lock body right hand
- 1 knob + pin
- 2 hooks and holders top/bottom
- 2 bar guides
- 2 eccentric stops

Locking bars to be ordered separately. Available in lengths of 1000, 1200, 1500 and 2000 mm in nickel plated, brass plated and bronze plated

Function:

Turn the knob to lock/unlock in 3 points

Specification:

Lock designed for 19/20 mm panel thickness.
For other thicknesses please ask for 400 different key combinations or key alike
15 mm backset
25 mm backset on request
Master key & Interchangeable system available on request

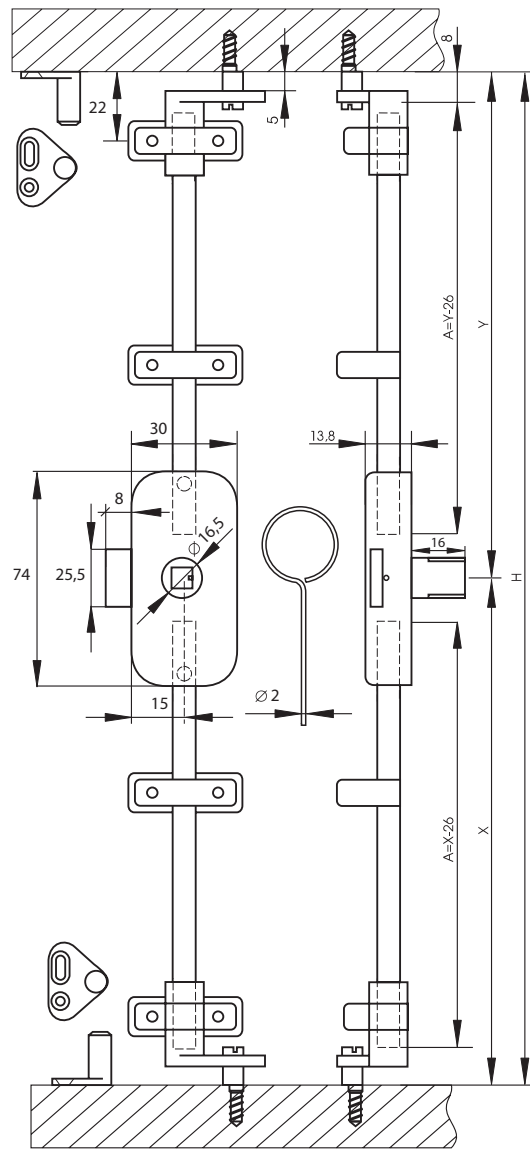
Finish:

Zamak body & knob in nickel plated, aluminium finish, brass plated, SS-look or nickel matt
Plastic body & knob in black colour

Packing:

- 10 pcs per box
- 100 pcs per carton

Item No.: # 14.05.233 etc.



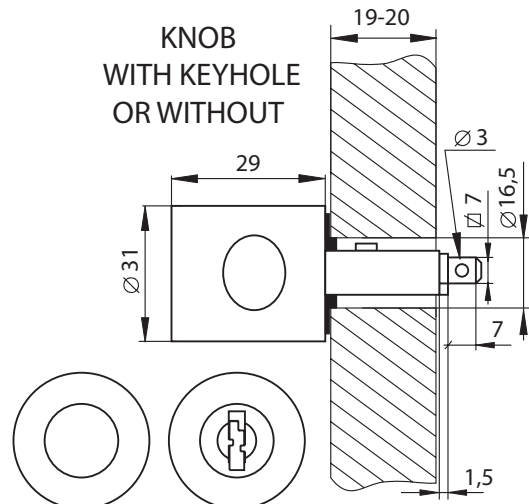
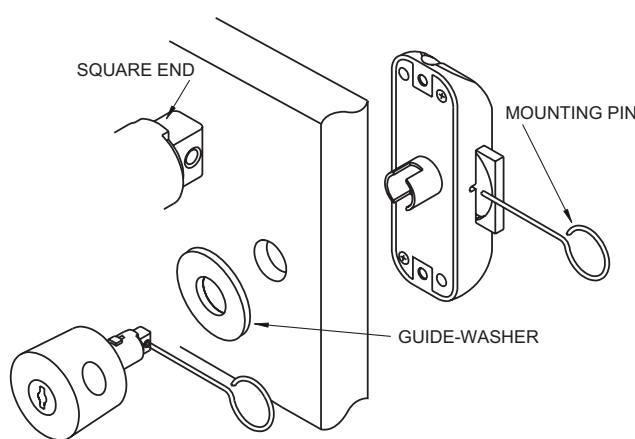
Lock NO. 924

Lock NO. 925

Item No.: # 14.05.240

KNOB MOUNTING INSTRUCTION FOR LOCK No. 924 "MIC" AND No. 925

Set the lock in locked position by turning inside the square with a screw driver etc. Insert the door knob into the lockbody taking care that the square end stays upwards. Insert the pin and press the spring loaded pin inside the square. While doing so press the knob forward into the square. As the door knob move forward, remove the pin and continue pushing till the door knob clicks into the square (when the spring loaded pin in the square anchor into the knob axis).



ESPAGNOLETTE LOCK NO. 920 KEYHOLE TYPE

Application:

Wardrobes and cabinets

Accessories one set:

- 1 lock backset 15 mm right hand
- 2 hooks top/bottom
- 2 bar guides
- 2 eccentric stoppers

Keys & locking bars to be ordered separately. Bars available in lengths of 1000, 1200, 1500 and 2000 mm in nickel plated, brass plated and bronze plated

Function:

Turn key and locking bars will rotate. Hooks will move behind the stops. The cam extend from the lock case and the door will be locked at 3 points

Optional:

- Other finishes, stoppers on triangular plate A-1026
- Left handed version
- 25 mm backset

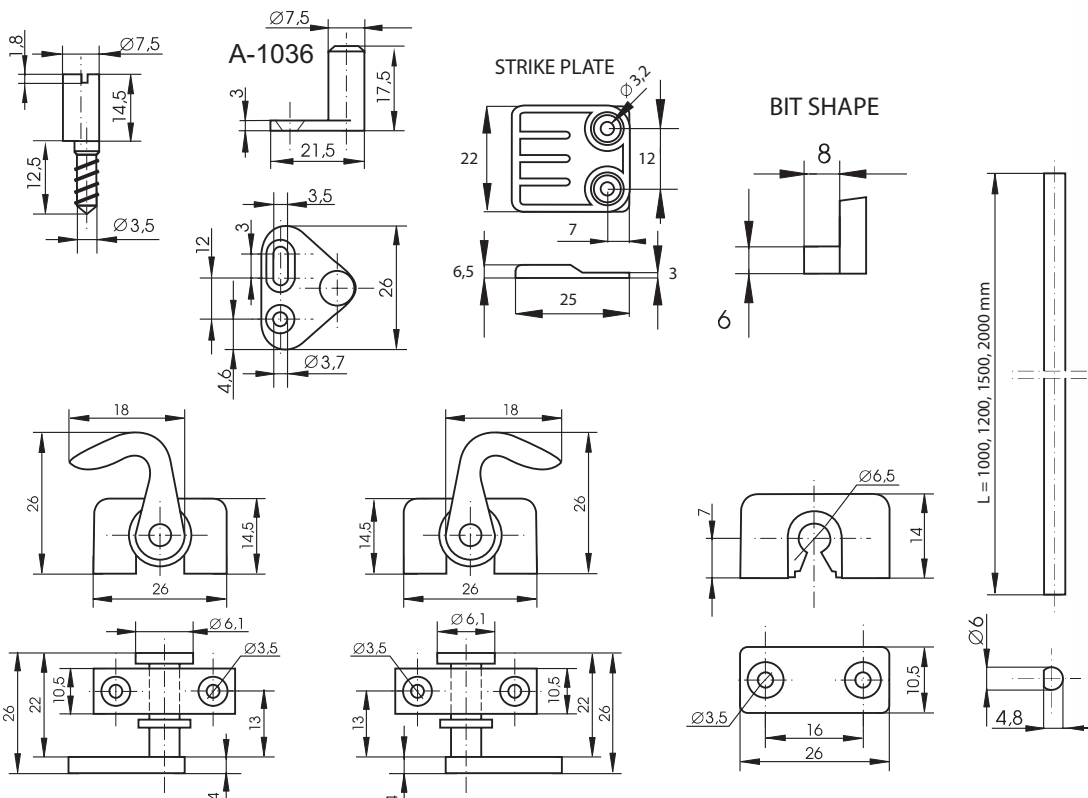
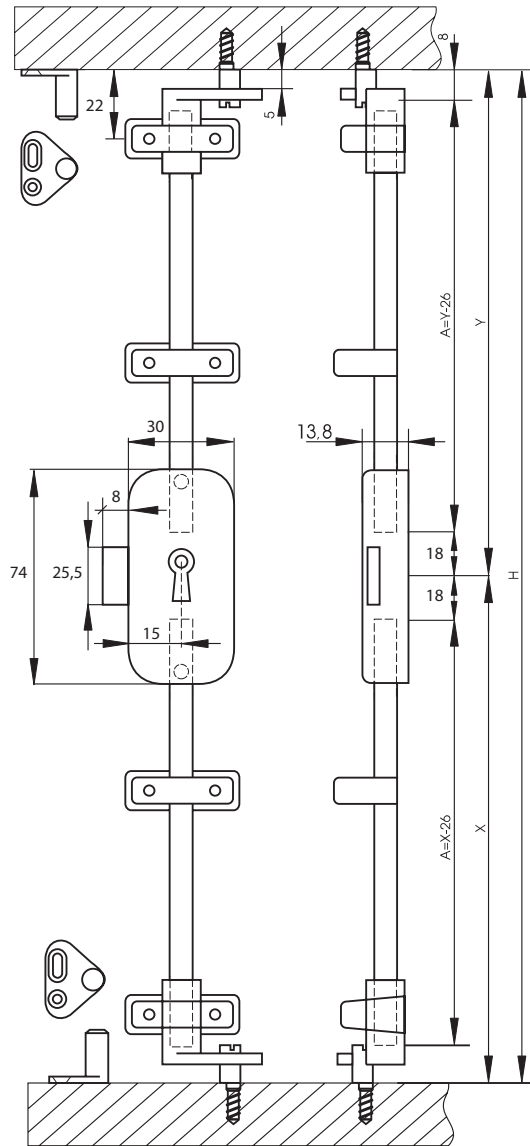
Finish:

- Zamak body in nickel plated or bronze plated
- Plastic body in burgundy colour

Packing:

- 12 pcs per box
- 120 pcs per carton

Item No.: # 14.05.250 etc.



Application:

Heave duty drawers, windows doors, wardrobes and cabinets

Accessories one set:

- 1 lock $\varnothing 19 \times 22$ mm
- 1 rosette
- 4 bar guides
- 2 sockets
- 2 SISO car keys

Locking bars to be ordered separately
Available in lenghts of 1000, 1200 and 2000 mm in nickel plated

Option:

16,5 mm cyl. diam. and longer cyl. lenghts

Function:

Turn key 180° and locking bars extend up and down 9 mm to lock and unlock

Specification:

400 different key combinations or kay alike
Locking bars available in 1000, 1200, 2000 mm lenghts from stock
Other lenghts upon request
Master Key system available on request

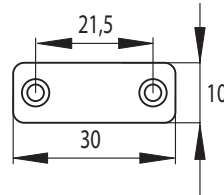
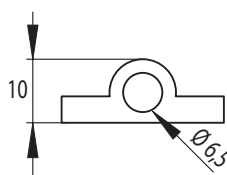
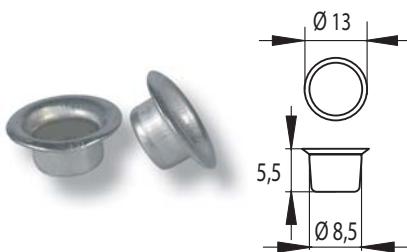
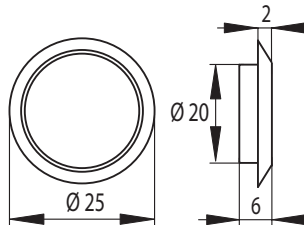
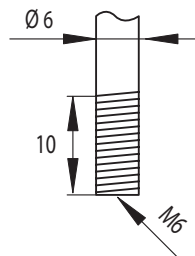
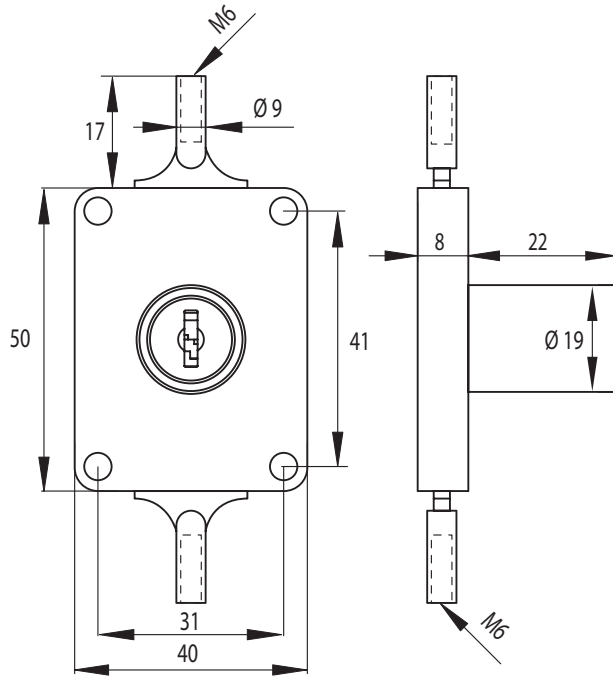
Finish:

Nickel plated

Packing:

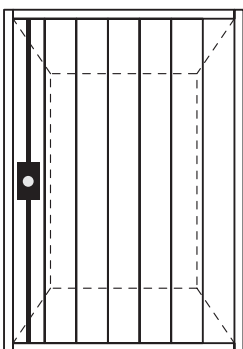
- 12 pcs per box
- 120 pcs per carton

Item No.: # 14.05.300 etc.

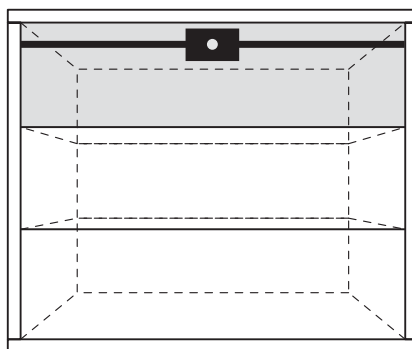


Application

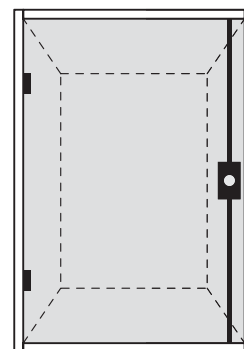
Shutter doors



Heavy duty drawers



Wardrobes



CAM LOCK NO. X-44/X FOR METAL FURNITURE

Application:

Steel drawers, cabinets, lockers
Snap in fixing
Maximum panel thickness 2 mm

Accessories for one set:

1 lock
1 cam No. 27
2 SISO car keys

Function:

Turn key 90° or 180° to lock/unlock

Option:

Other cam style/size
Other rotation angle

Specification:

Zamak lock body & cylinder
Steel spring clip, cam & keys
400 key combinations
Master Key system available on request

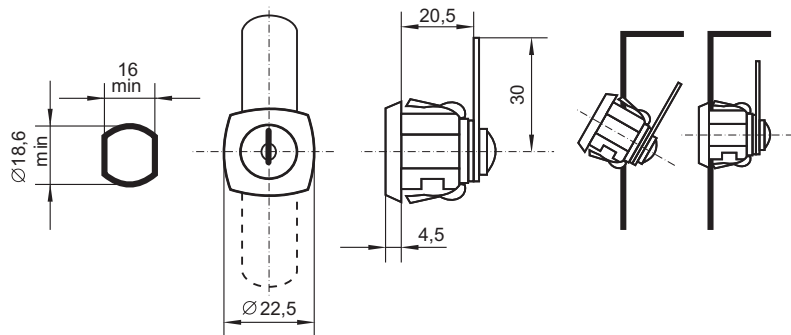
Finish:

Chrome plated

Packing:

36 pcs per box
360 pcs per export carton

Item No.: # 14.08.070 etc.



CENTRAL LOCK NO. X-44/D FOR METAL FURNITURE

Application:

Multi drawer pedestal
Filing cabinets
Snap in fixing
Maximum panel thickness 2 mm

Accessories for one set:

1 lock
2 SISO car keys

Function:

Turn key 180° to move self made locking bar to lock/unlock any number of drawers

Specification:

Zamak lock body & cylinder
Steel spring clip, cam & keys
400 key combinations
Master Key system available on request

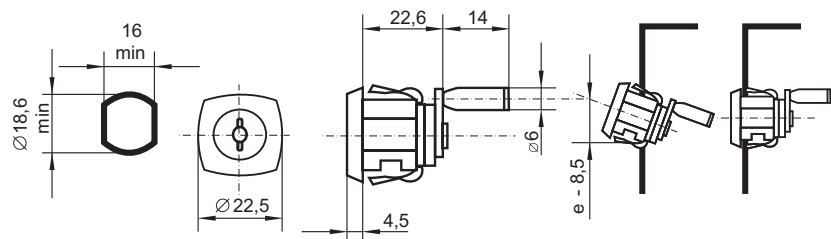
Finish:

Chrome plated

Packing:

36 pcs per box
360 pcs per export carton

Item No.: # 14.08.090 etc.



Application:

Steel cabinets, lockers, wardrobes, vehicles

Accessories for one set:

- 1 lock handle
- 1 cam plate
- 1 back plate
- 2 SISO car keys
- Mounting screws

Function:

Turn handle 90° to lock/open, turn key to lock handle in closed position

Can be applied for 3-way locking with self made pasquil bars

Specification:

Zamak lock body, handle & cylinder
Steel cam & keys
400 key combinations
Master Key system available on request

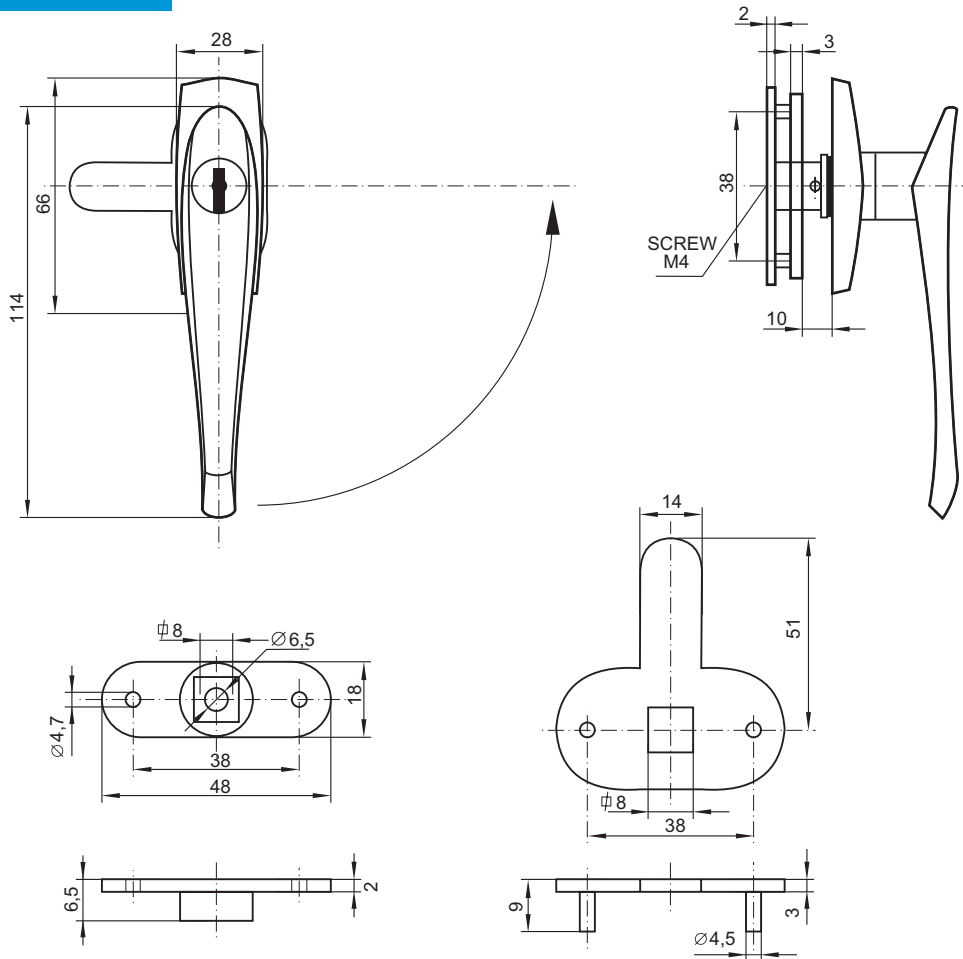
Finish:

Chrome plated

Packing:

- 8 pcs per box
- 96 pcs per export carton

Item No.: # 14.08.035 etc.



T-HANDLE #1800 (Front mounted)

Application:

For steel cabinets, garage doors, lockers, wardrobes & vehicles

Accessories for one set:

- 1 lock handle
- 2 SISO car key

Function:

90° turn
Turn key to lock handle in closed position

Specifications:

Zamak lock body, handle & cylinder
Steel cam & keys
400 Key combinations or key alike

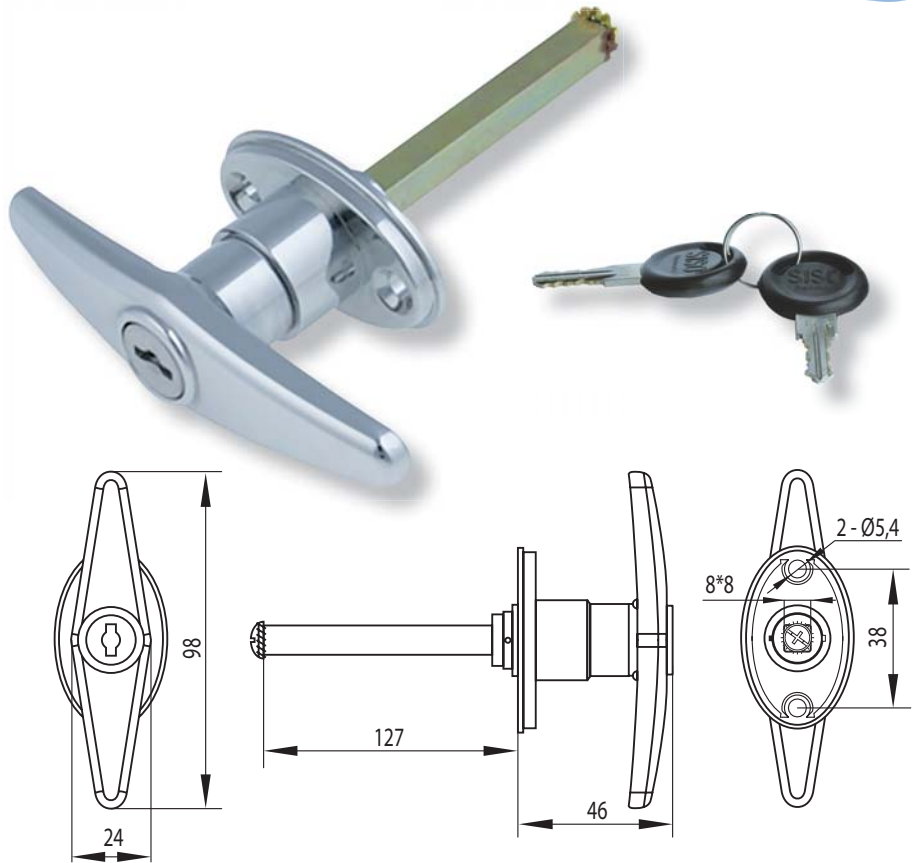
Finish:

Chrome plated

Packing:

- 10 pcs per box
- 100 pcs per export carton

Item No.: # 14.08.058



T-HANDLE #1801 (Back mounted)

Application:

For steel cabinets, garage doors, lockers, wardrobes & vehicles

Accessories for one set:

- 1 lock handle
- 2 SISO car key

Function:

90° turn
Turn key to lock handle in closed position

Specifications:

Zamak lock body, handle & cylinder
Steel cam & keys
400 Key combinations or key alike

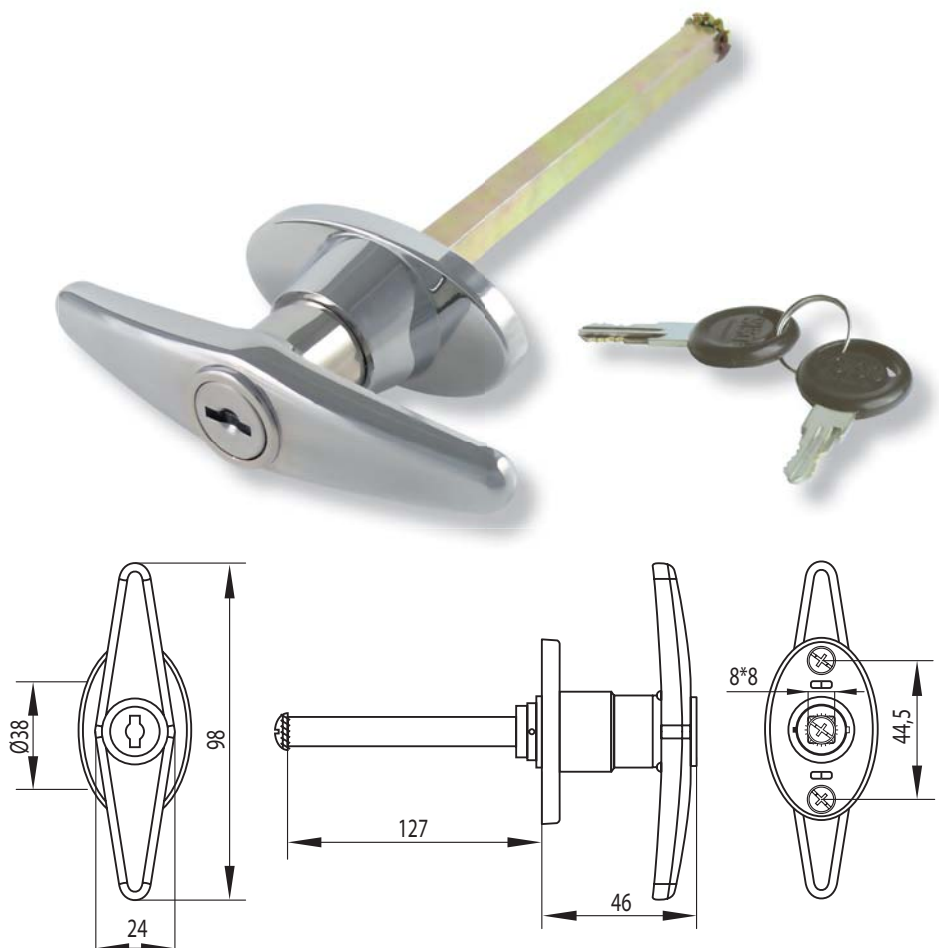
Finish:

Chrome plated

Packing:

- 10 pcs pr. box
- 100 pcs pr. export carton

Item No.: # 14.08.057



Application:

Steel cabinets, lockers, wardrobes, vehicles

Accessories for one set:

- 1 lock handle
- 1 cam plate
- 1 back plate
- 2 SISO car keys
- Mounting screws

Function:

Turn handle 90° to lock/open.
turn key to lock handle in closed position

Can be applied with self made pasquil bars for 3-way locking

Specification:

Zamak lock body, handle & cylinder
Steel cam & keys
400 key combinations or key alike
Master Key system available on request

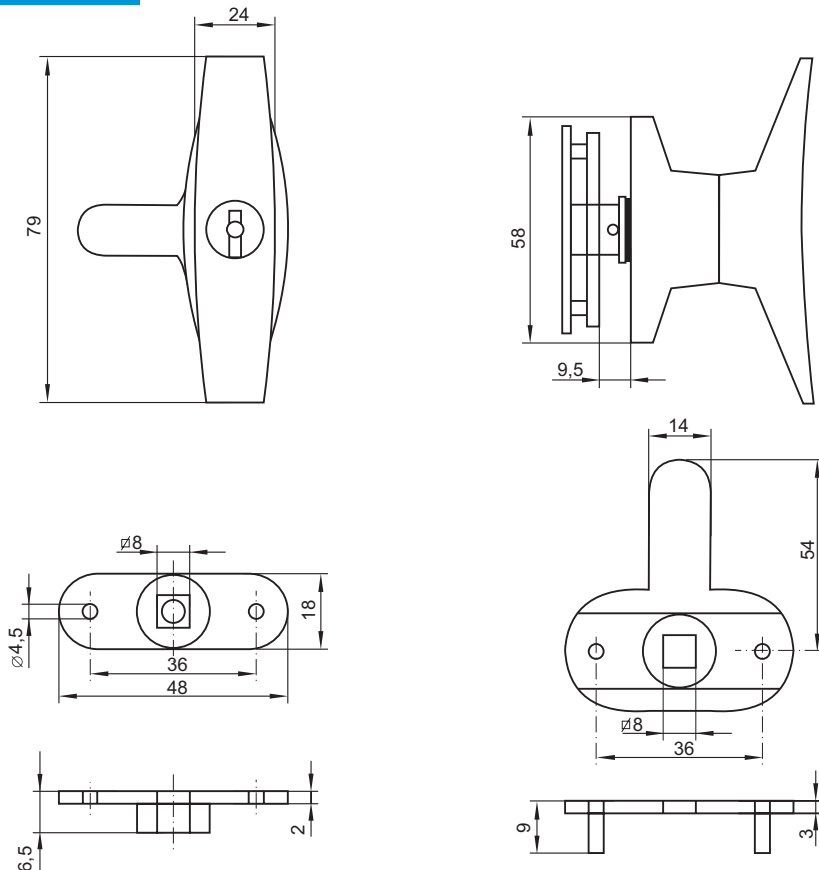
Finish:

Chrome plated

Packing:

- 10 pcs per box
- 100 pcs per export carton

Item No.: # 14.08.055 etc.



Application:

Steel cabinets, lockers,
wardrobes, vehicles

Accessories for one set:

1 lock handle
2 SISO car keys

Function:

Turn handle 90°
To lock/open.
Turn key to lock handle in closed
position

Can be applied with self made
pasquil bars for 3-way locking

Specification:

Zamak lock body, handle & cylinder
Steel cam & keys
400 key combinations or key alike
Master Key system available
on request

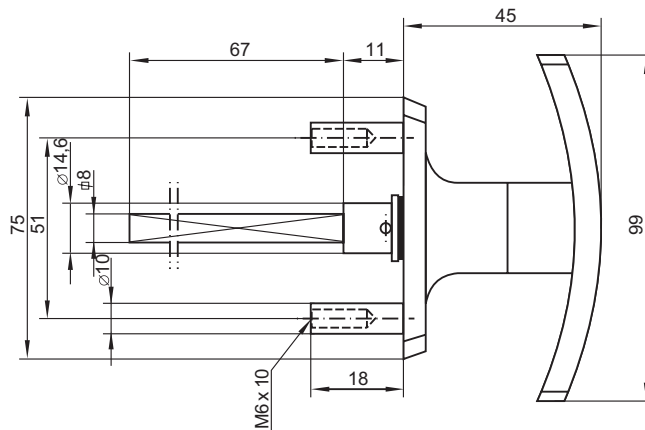
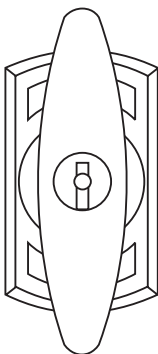
Finish:

Chrome plated

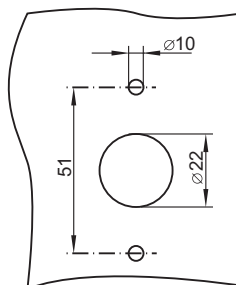
Packing:

10 pcs per box
100 pcs per export carton

Item No.: # 14.08.056 etc.



CONCEALED FIXING



FIXING HOLE SIZES

Application:

Steel cabinets, lockers and wardrobes
Easy snap on mounting
No screws required

Function:

Turn handle 90° to lock/open
Turn key to lock handle when in closed position
Can be applied with self made Pasquil bars as 3-way locking system

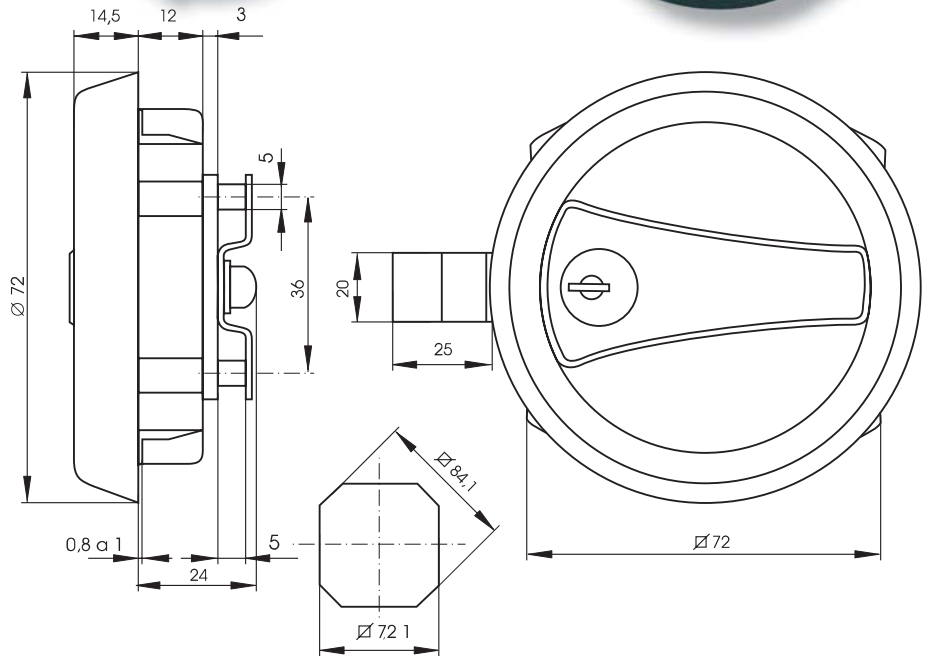
Specification:

Black plastic house
Zamak handle and lock
Keys, cam - steel
400 key combinations or key alike
Master Key system available on request

Finish:

Handle & back plate in chrome plated or handle in aluminium finish and chrome back plate

Item No.: # 14.08.021 etc.



LOCKER HANDLE NO. M-175

Function:

Easy snap in fixing
Turn handle 90° to Lock/Open
turn key to lock handle when in closed position can be applied with self made pasquil system as 3-way locking system

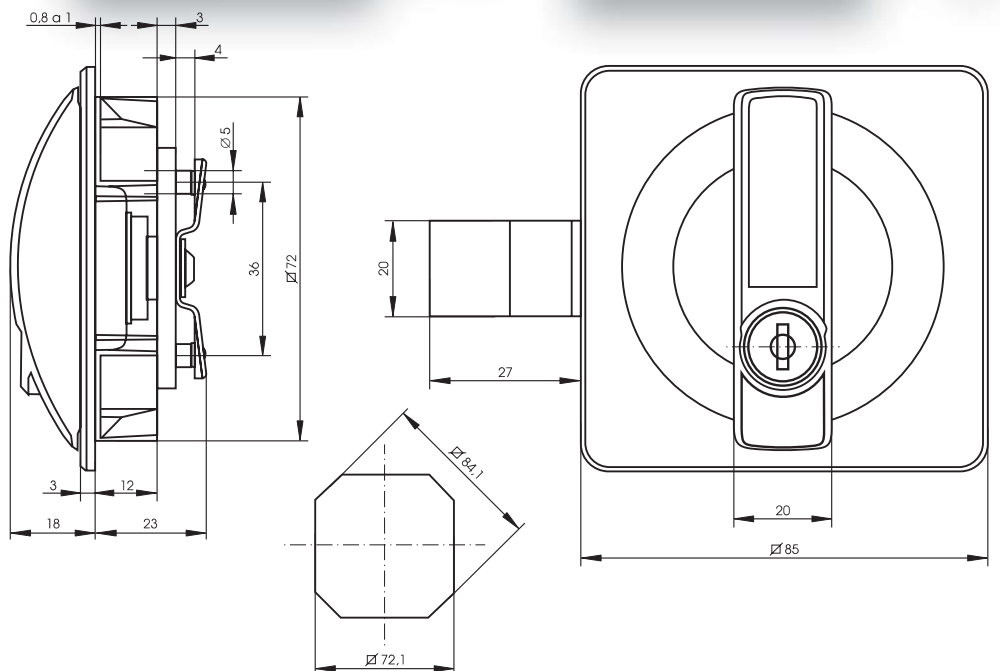
Specification:

Black plastic house
Zamak handle & lock
Steel keys & cam
400 key combinations or key alike
Master Key system available on request

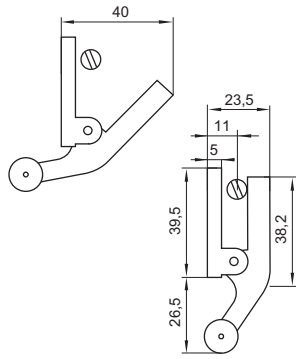
Finish:

Handle & back plate in chrome plated or black anodized

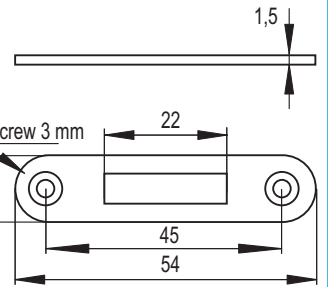
Item No.: # 14.08.019 etc.



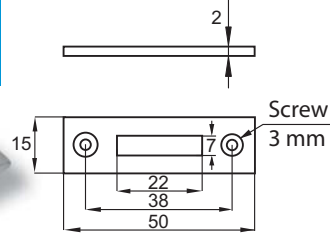
No. # 22.01.019
Automatic Hook Latch
for double door use



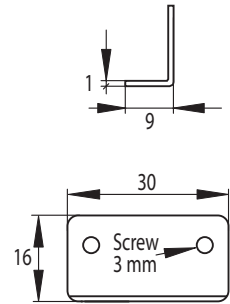
No. # 14.01.472
Striking Plate
for Roll Blind Lock X-2159



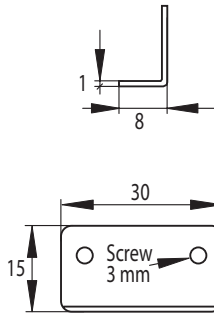
No. # 14.01.510
Flat Striking Plate
for Lock 850/855/853



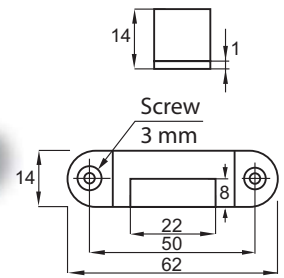
No. # 14.01.064
L-Shape Striking Plate
for Lock 850



No. # 14.07.029
L-Shape Striking Plate
model "KW"

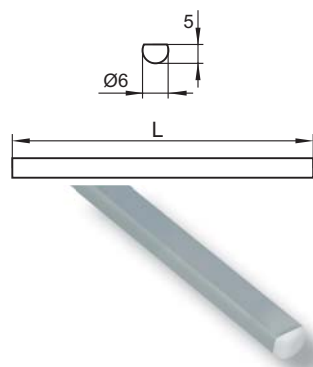


No. # 14.01.500
Raised Striking Plate
for Lock 855



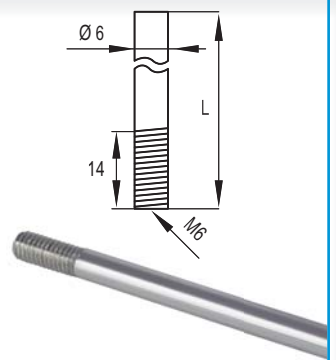
Locking Bars
for Espagnolette Locks

- # 14.05.720 1000 mm Nickel Plated
- # 14.05.723 1000 mm Brass Plated
- # 14.05.724 1000 mm Bronze Plated
- # 14.05.725 1200 mm Nickel Plated
- # 14.05.729 1500 mm Nickel Plated
- # 14.05.730 1500 mm Bronze Plated
- # 14.05.735 2000 mm Nickel Plated

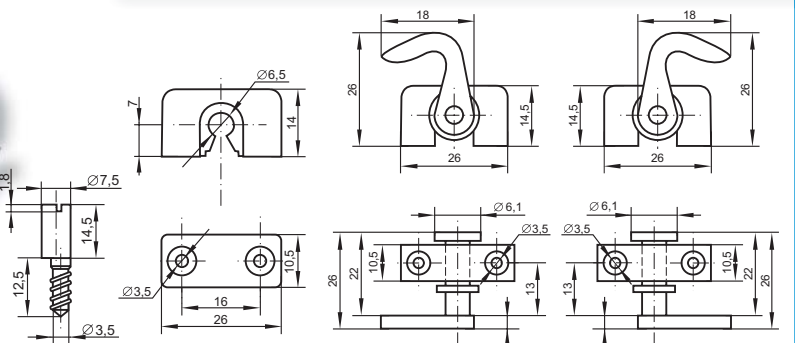


Locking Bars
for Lock 7080

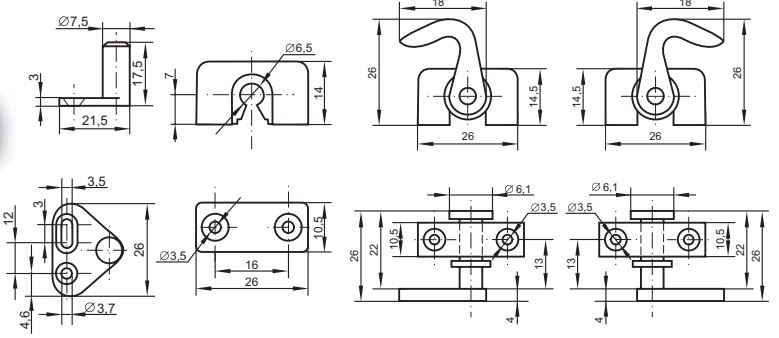
- # 14.05.670 1000 mm Nickel Plated
- # 14.05.671 1200 mm Nickel Plated
- # 14.05.675 2000 mm Nickel Plated



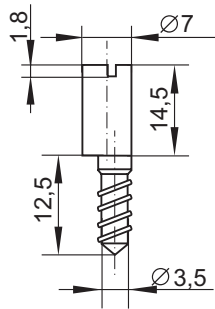
No. # 14.05.740
Accessories:
for Espagnolette Lock
Nickel Plated



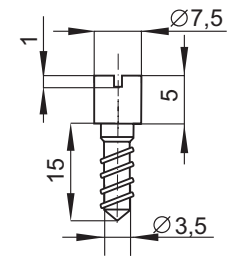
No. # 14.05.741
Accessories
for Espagnolette Lock
Nickel Plated



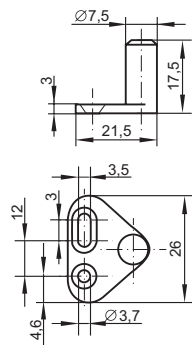
No. # 14.05.850
Screw On Stop
eccentric Nickel Plated
for Espagnolette Lock



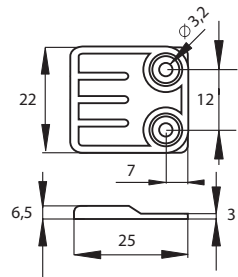
No. # 14.05.875
Screw On Stop
centric 5 mm height head



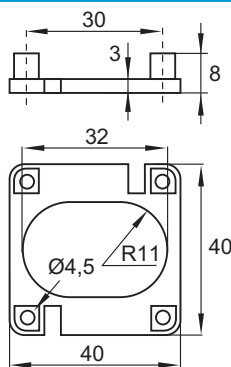
Triangular Locking Bolt
for Espagnolette Lock
No. # 14.05.745 Nickel Plated
No. # 14.05.746 Bronze Plated



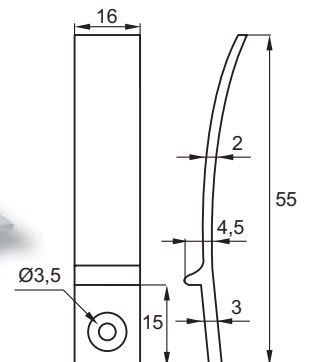
No. # 14.05.890
Door Stops 22 x 25 mm
brown plastic used
in connection
with Espagnolette Locks



No. # 14.01.091
Plastic Spacer
for Lock 850
Transparent Colour

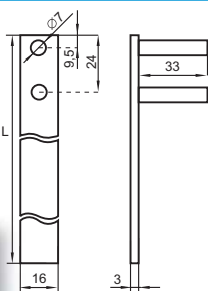
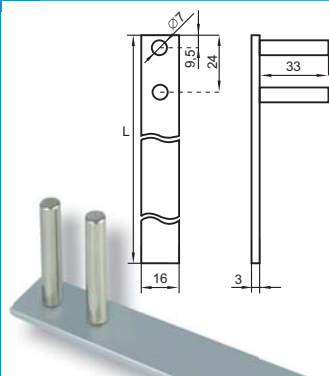


Plastic Drawer Stop
No. # 14.02.000

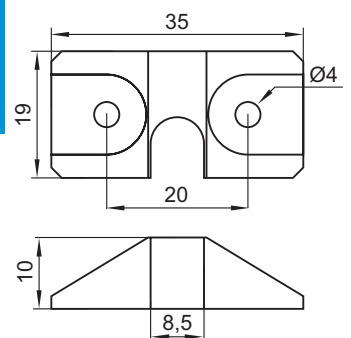


Locking Bar
for Lock 1018

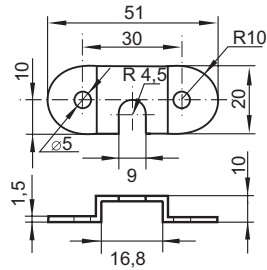
- # 14.04.181 L - 500 mm
- # 14.04.185 L - 600 mm
- # 14.04.190 L - 700 mm
- # 14.04.200 L - 800 mm
- # 14.04.221 L - 1200 mm
- # 14.04.230 L - 1300 mm



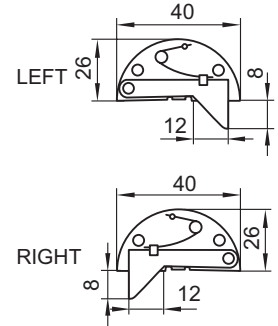
No. # 14.02.010
Plastic Drawer Stop
for Central Locks
Black cc 20 mm



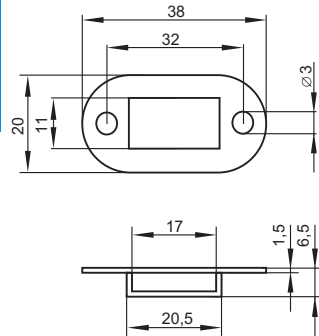
No. # 14.02.011
Metal Drawer Stop
for Central Locks
on metal furniture



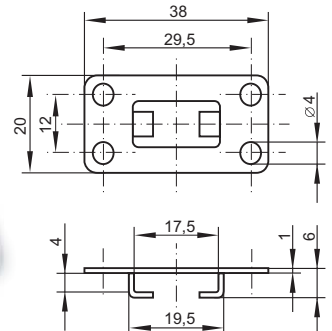
Drawer Stop 913 - A
No. # 14.02.030 Left Hand
No. # 14.02.020 Right Hand



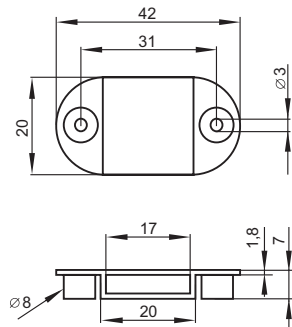
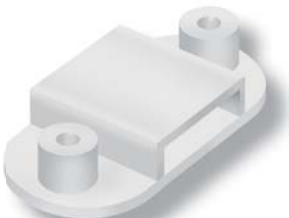
No. # 14.04.089
Plastic Bar Guide
holder for locking bars



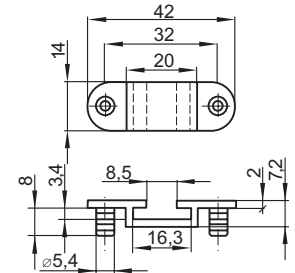
No. # 14.04.091
Metal Bar Guide
holder for locking bars



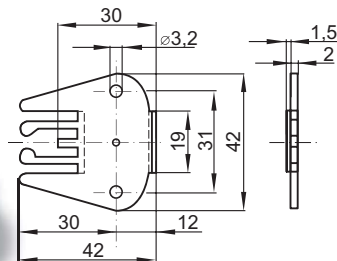
No. # 14.03.285
Plastic Bar Guide
for lay on locking bars



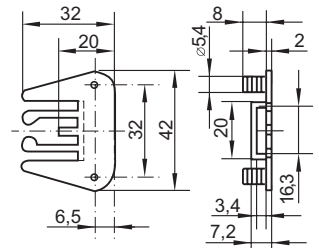
No. # 14.03.286
Plastic bar guide
dark grey
for locking bars



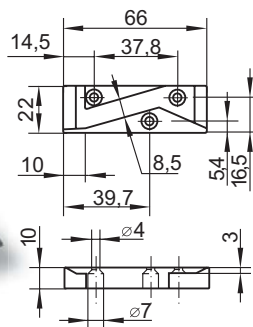
No. # 14.03.280
Plastic Bar Catch
Lyra Shaped Model 1027



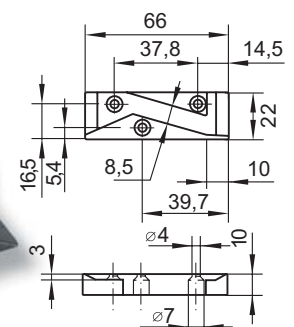
No. # 14.03.281
Plastic bar catch
dark grey
Lyra shaped model 1030



Antitilt Block Plastic Black
Model 1018.030
No. # 14.03.270 Right Hand

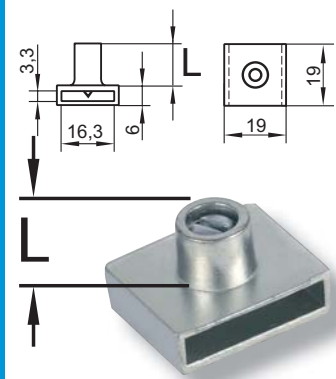


Antitilt Block Plastic Black
Model 1018.030
No. # 14.03.271 Left Hand

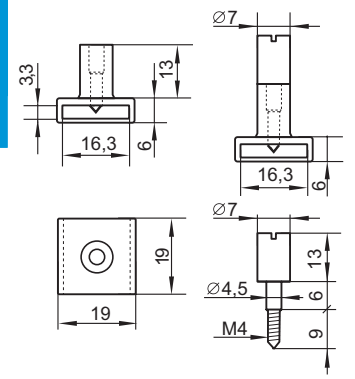


Adjustable Peg

with premounted screw
 # 14.04.309 L - 5 mm
 # 14.04.312 L - 6 mm
 # 14.04.310 L - 8 mm
 # 14.04.320 L - 11 mm
 # 14.04.330 L - 13 mm
 # 14.04.350 L - 19 mm

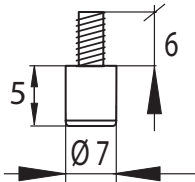


Prolongation Screw 13 mm
for adj. peg. L - 13 mm
No. # 14.04.421

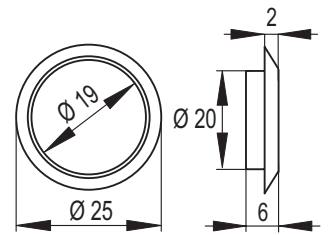


Prolongation Screw

for Push Lock 1003 and 1004
 No.: 5 mm # 14.04.418
 10 mm # 14.04.419
 20 mm # 14.04.420



Rosette - 19 mm
Nickel Plated
No. # 14.04.300



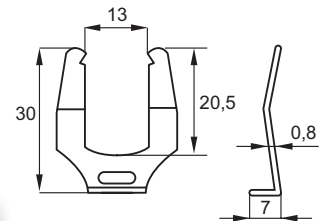
Cams for Cam Lock

different models and sizes
as per special pages in our
catalogue (pages 64 to 69)
illustrating such standard
cams
No. # 14.04.241 to
No. # 14.04.299



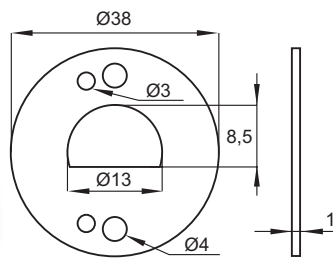
Metal Clip

for Cam Lock
No. # 14.04.308



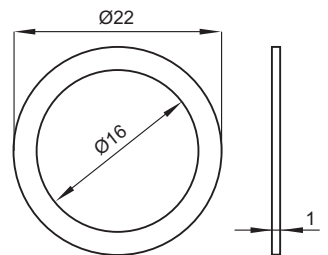
Metal Washer

for Lock 689
No. # 14.09.155



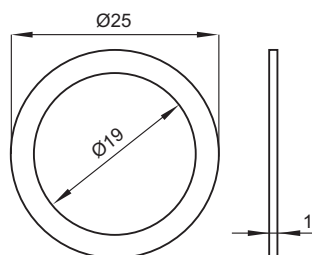
Transparent Washer

OD: 22 mm, ID: 16 mm
thickness - 1 mm
No. # 14.09.301



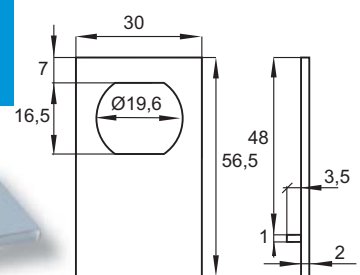
Plastic Washer "SAFE"

OD: 25 mm, ID: 19 mm
No. # 14.09.340

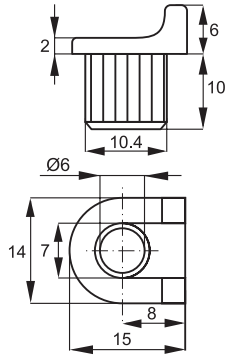


Front Plate

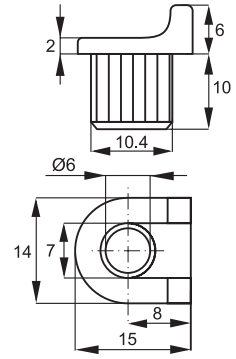
for Lock X-916
No. # 14.09.066



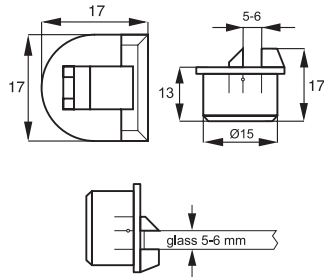
Knock in Pivot Stop
Zamak
for Lock 689
No. # 14.09.117



Knock in Pivot Stop
Plastic
for Lock 910
No. # 14.09.118



Glass Door Catch No. 470
Black Plastic
No. # 14.09.119



Loose Cylinders F/System
J#11 & J#12.
All W/SISO Hinged Car Keys.
Key to Differ or Key Alike
No. # 14.03.801 - 14.04.067



Blank Metal Key
for lock X-750
No. # 14.04.095



Blank Metal Key
for YALE KEY WAY
Profile Cylinders
No. # 14.04.094



Blank Metal Key
for FAB KEY WAY
Profile Cylinders
No. # 14.04.093



Blank Metal Key
round shape FN2 KEY WAY
No. # 14.04.099



Blank Car Key
single entry F01 KEY WAY
No. # 14.04.102



Blank Hinged Car Key
FN2 KEY WAY
No. # 14.04.103



Blank Car Key
double entry FN2 KEY WAY
NEW
No. # 14.04.106



Blank Car Key
double entry for 7 Wafers
Locks
No. # 14.04.111



Key For Cam Lock 1216
No. 001
all key same code
for Lock No. # 14.04.480.0
No. # 14.04.115



Master Key F/System J#12
No. # 14.04.123



Master Key F/System J#11
No. # 14.04.119



Interchangeable Key
F/System J#12
No. # 14.04.129



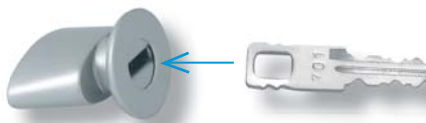
Interchangeable Key
F/System J#11
No. # 14.04.127



Triangular Zamak Bit Key
F/Cam Lock 1920 (# 14.04.483)
No. #14.04.140



Short Metal Key
with harpoons for knocking
into decorative knobs
No. # 14.04.081



Key Knob
Zamak
Matt Chrome Finish
No. # 14.04.080

SQUARE ROSETTES

Application:

These square rosettes can be used for locks like model: 850, 1018, 1003, Espagnolette locks etc.

Specifications:

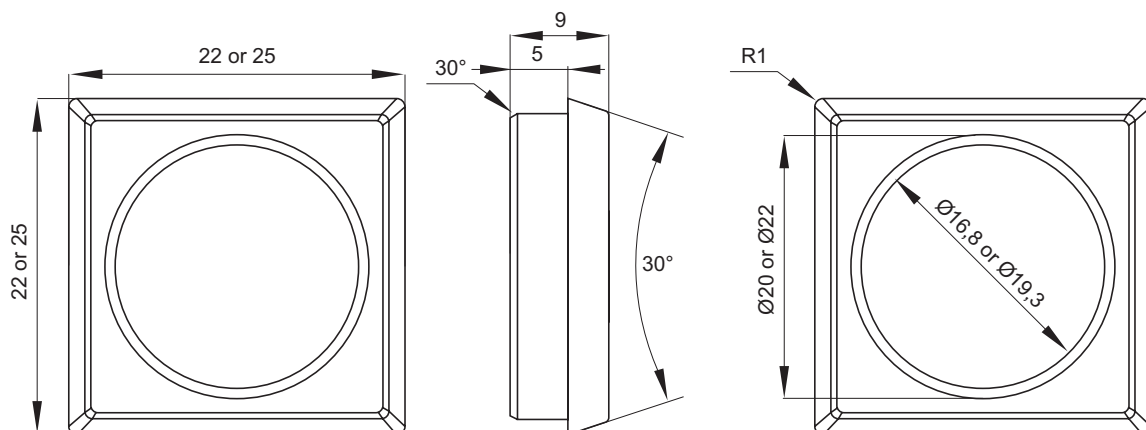
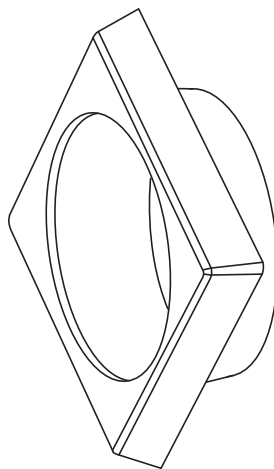
For cylinder $\varnothing 16,5$ and $\varnothing 19$ mm
Size: 22 x 22 mm or 25 x 25 mm
9 mm height

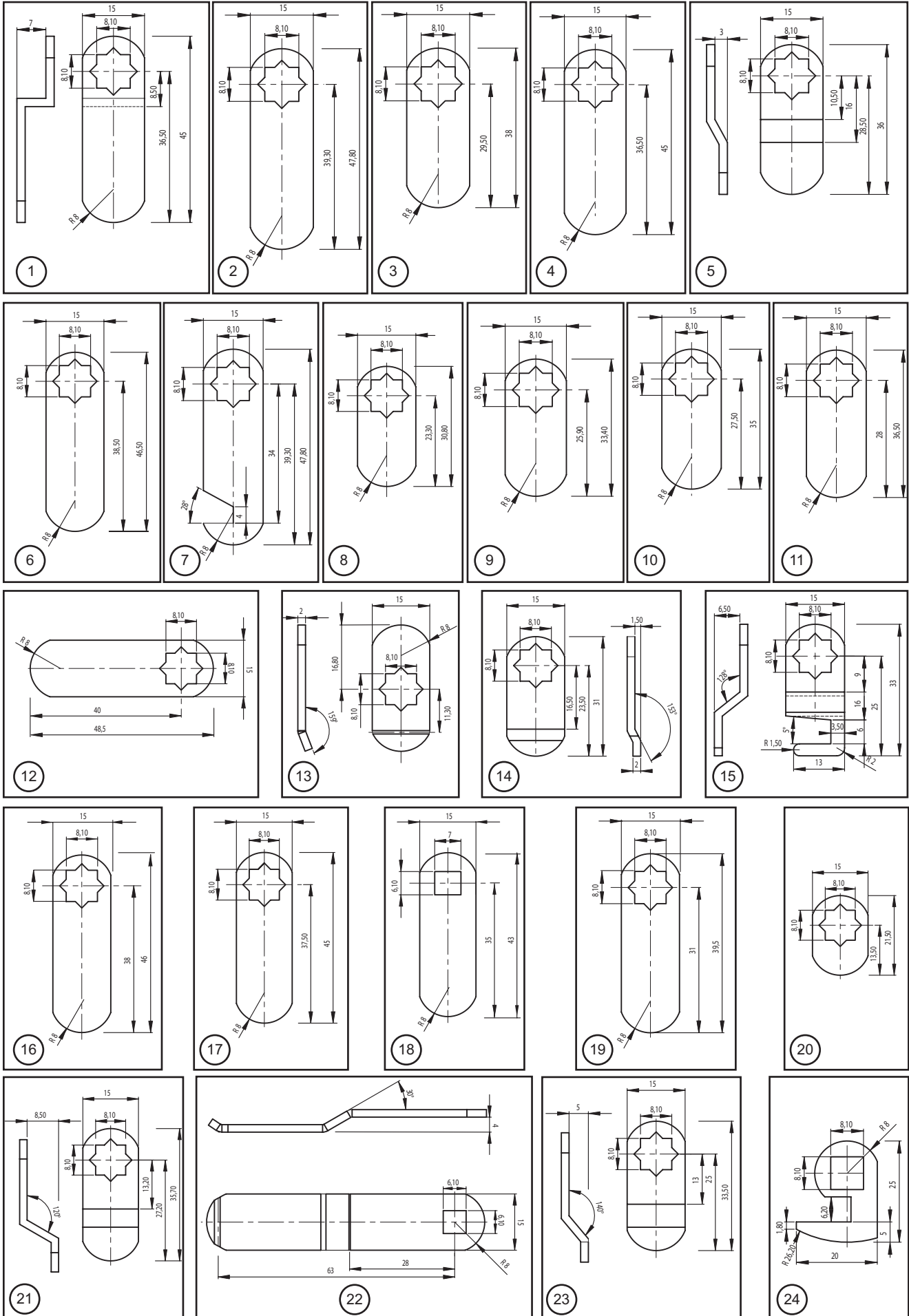
Finish:

Aluminium finish & nickel plated

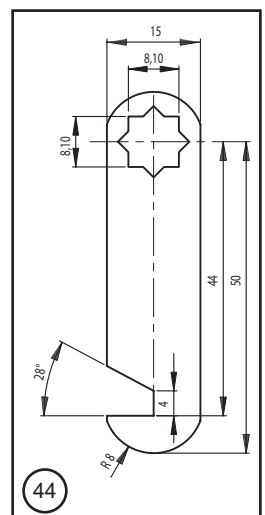
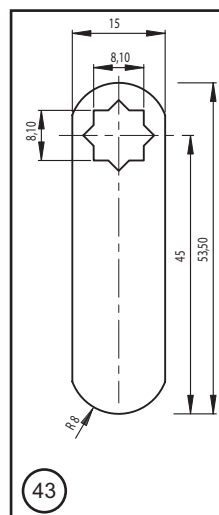
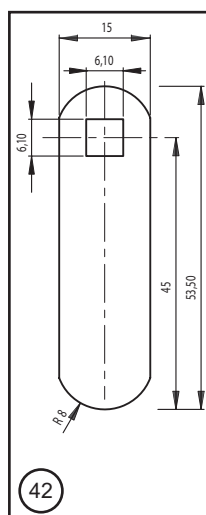
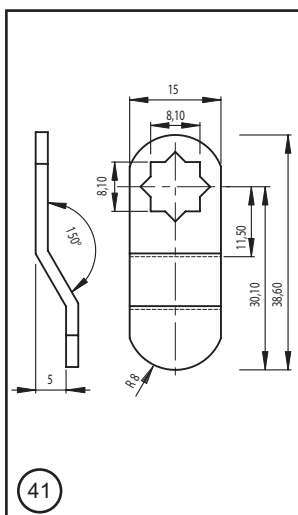
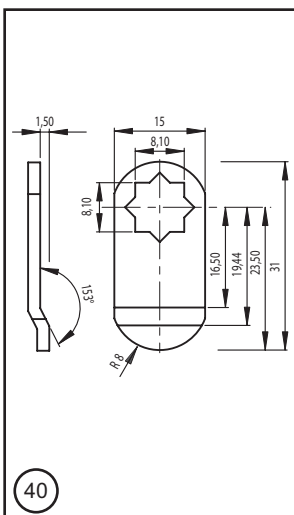
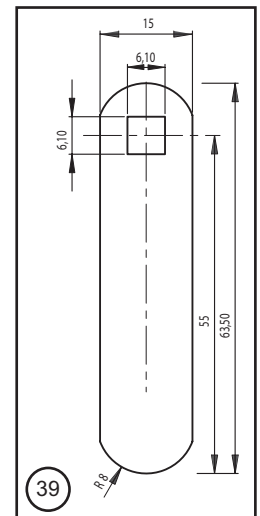
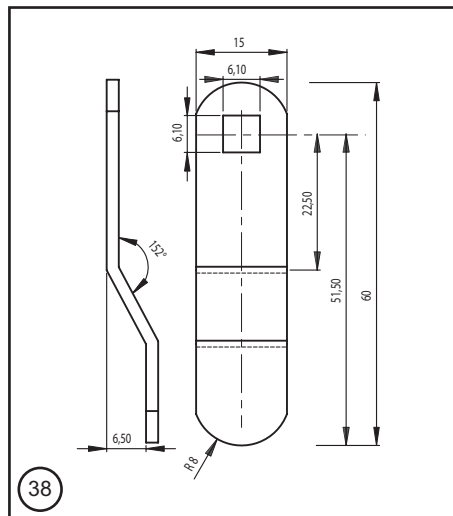
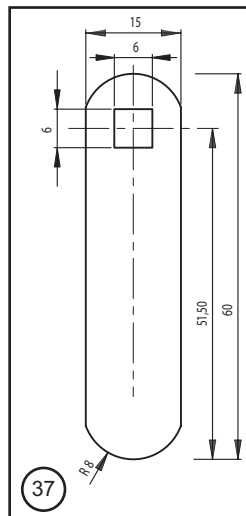
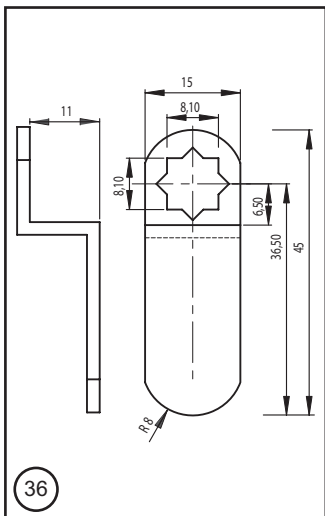
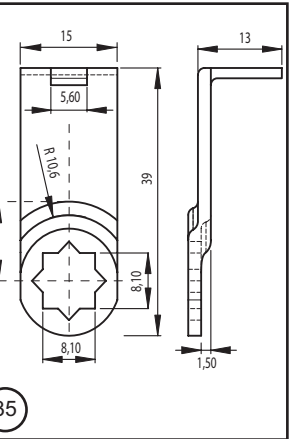
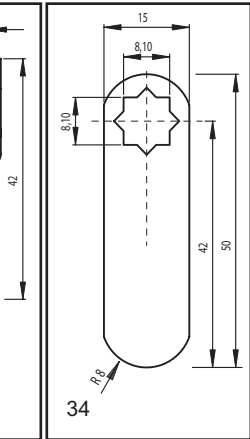
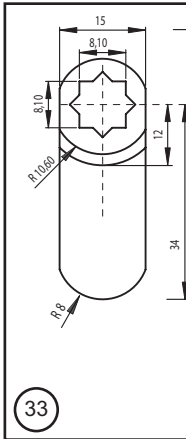
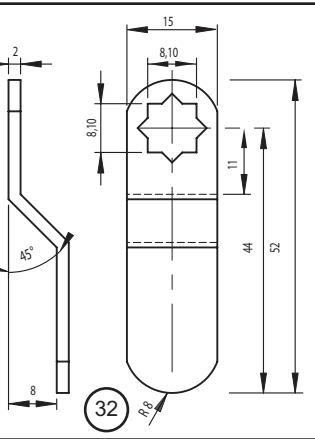
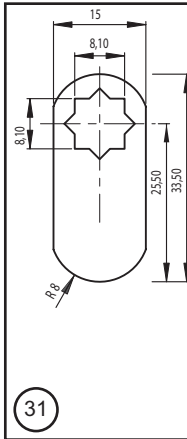
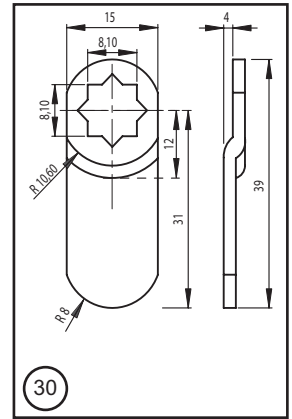
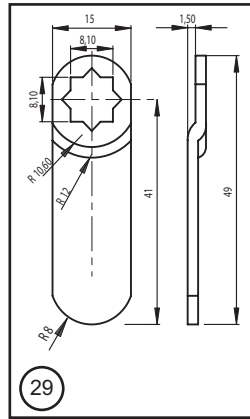
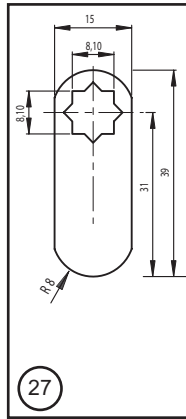
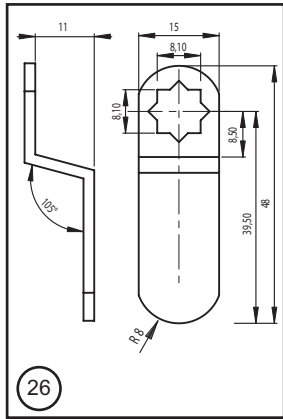
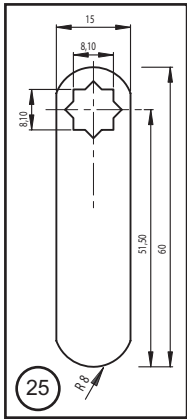
Item No.:

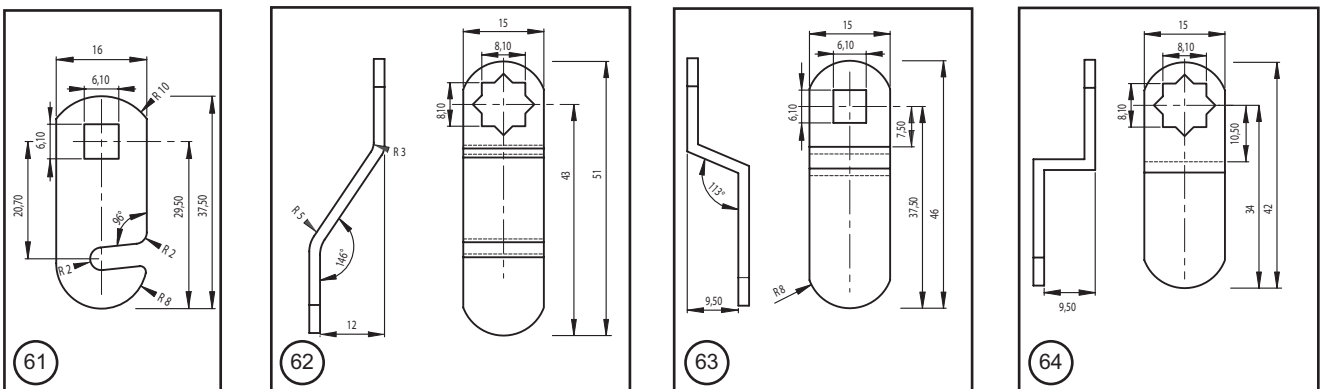
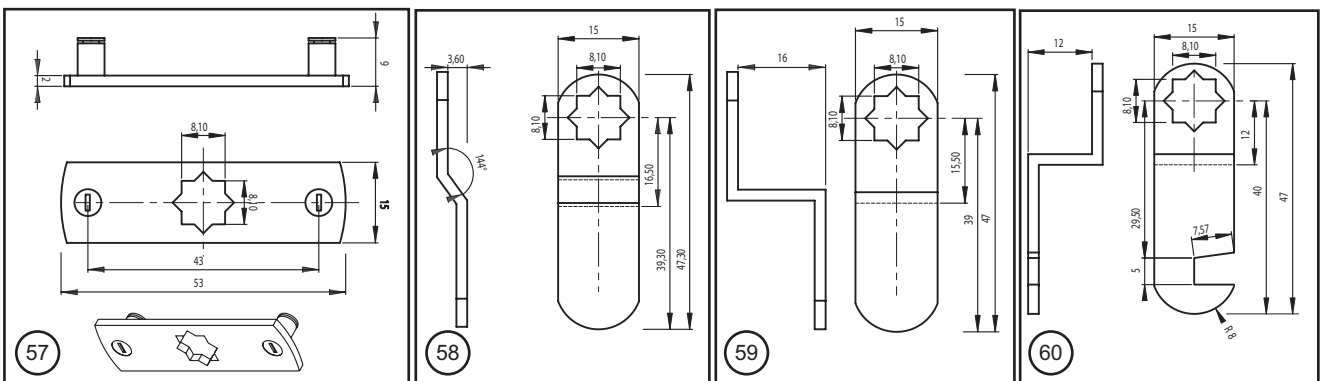
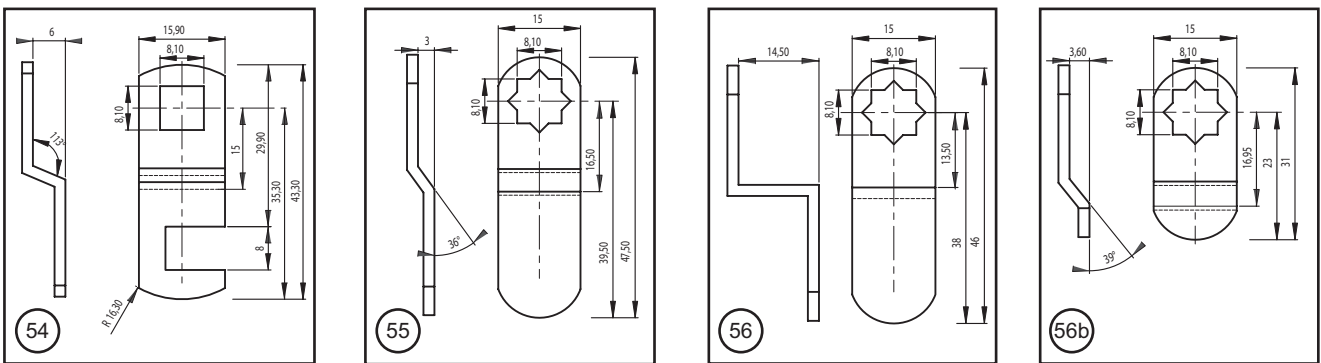
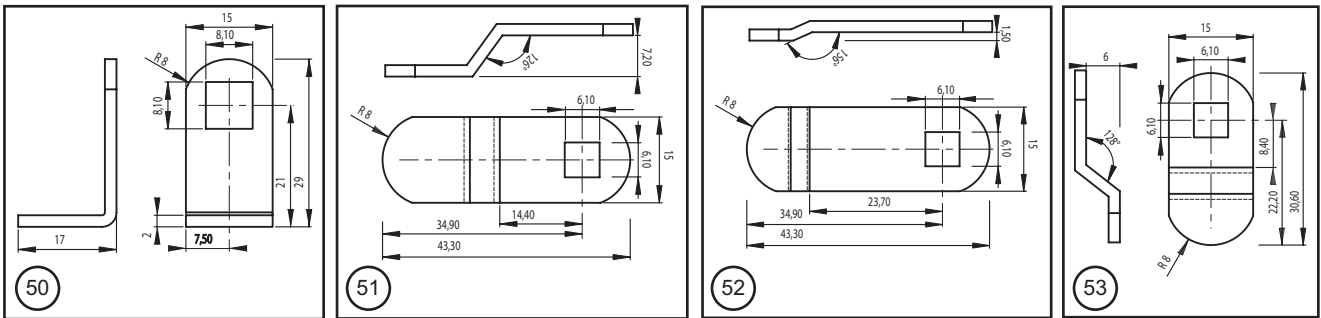
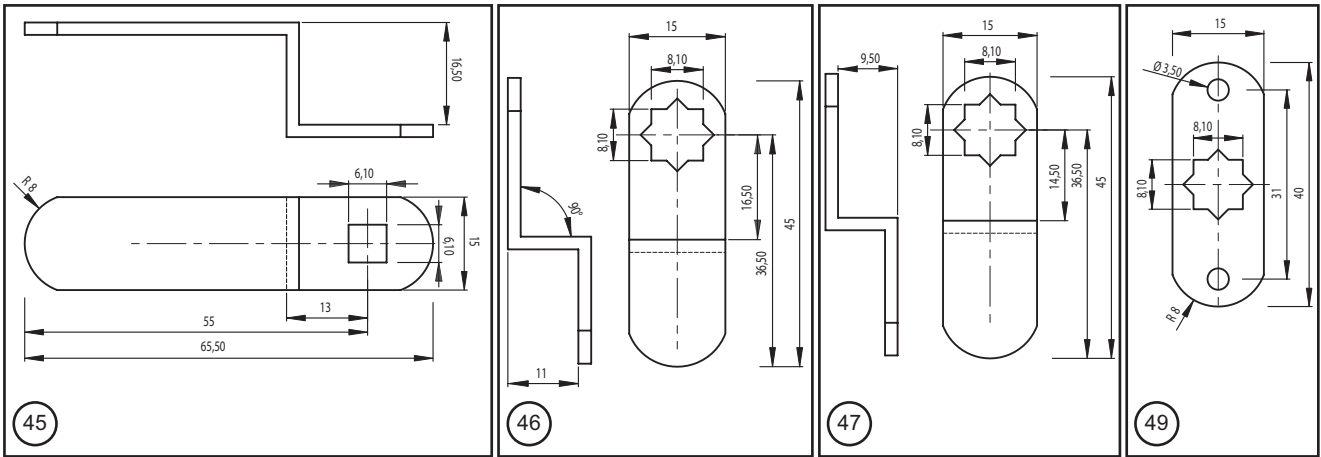
- $\varnothing 16,5$ mm, NPL # 14.04.302
- $\varnothing 16,5$ mm, ALU # 14.04.303
- $\varnothing 19$ mm, NPL # 14.04.305
- $\varnothing 19$ mm, ALU # 14.04.306



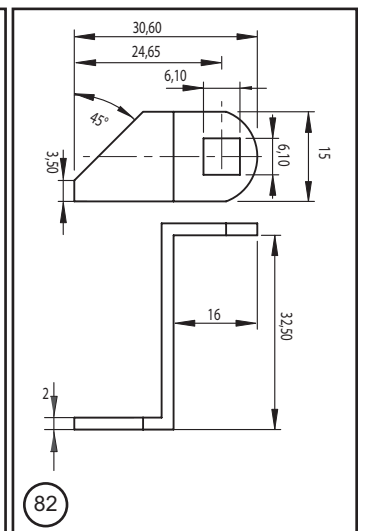
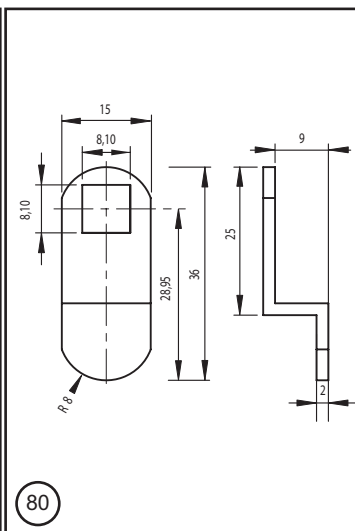
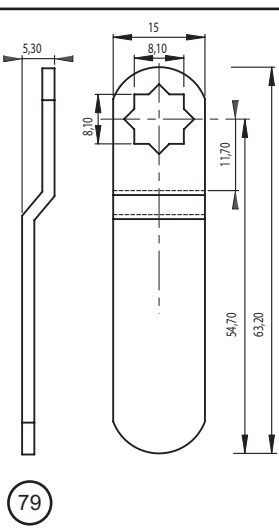
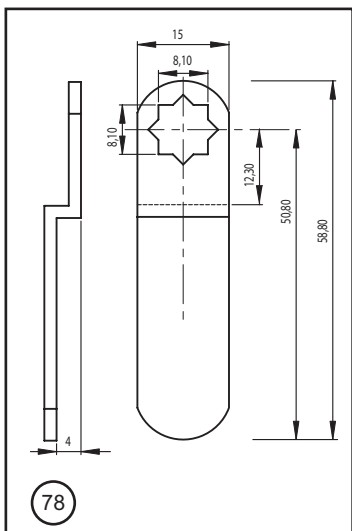
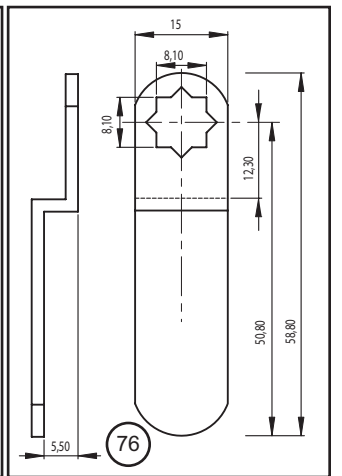
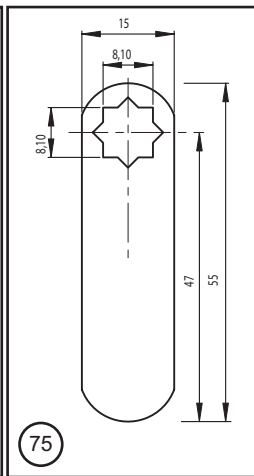
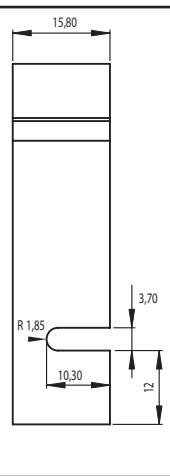
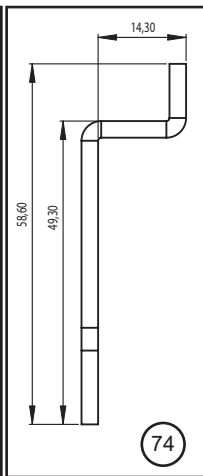
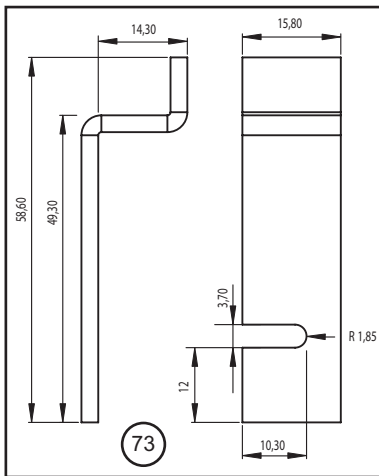
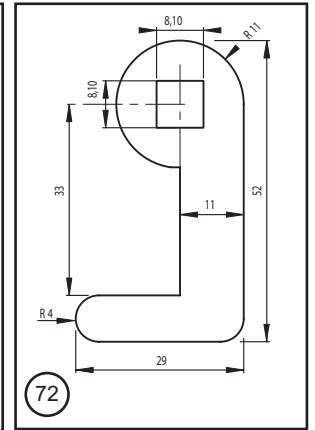
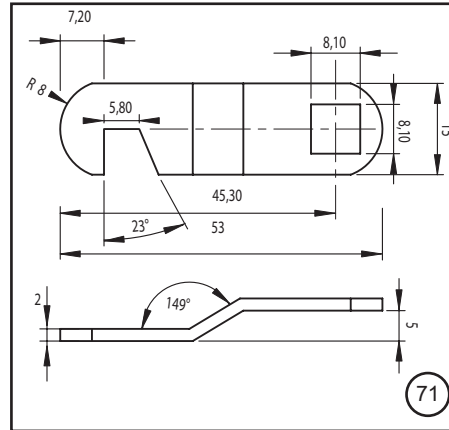
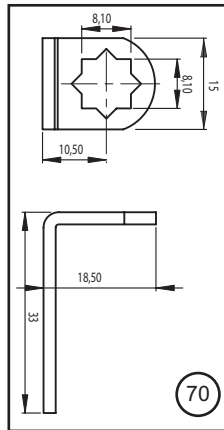
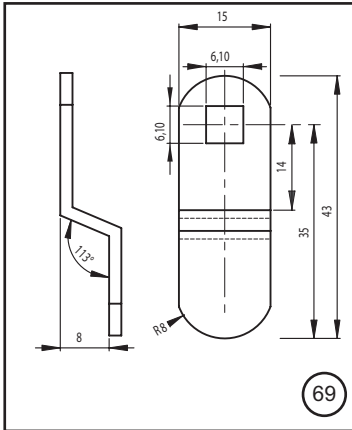
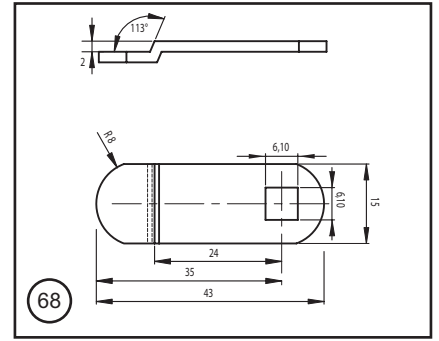
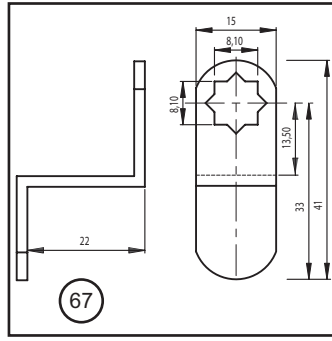
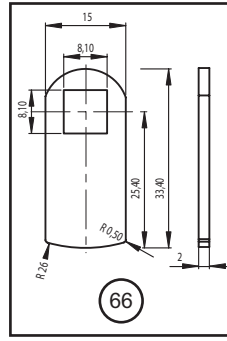
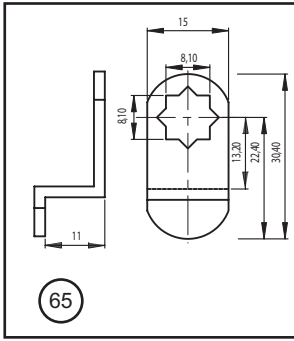


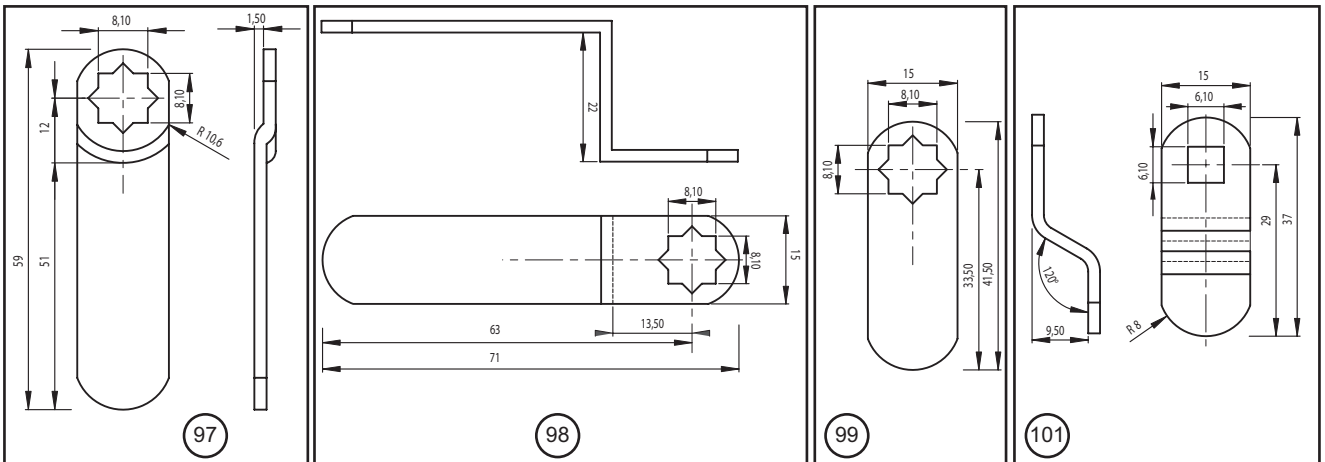
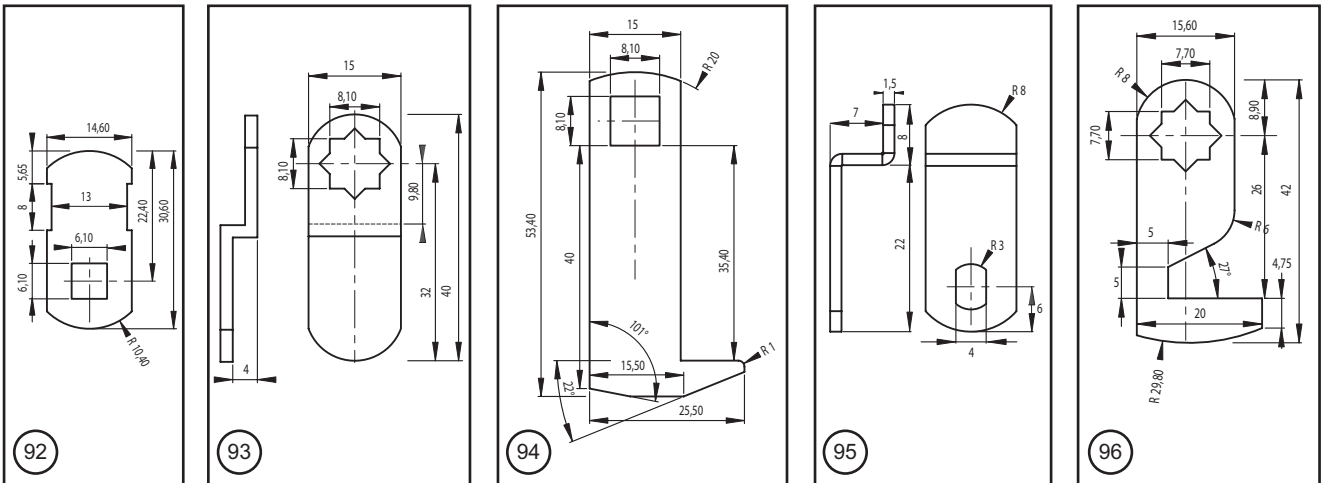
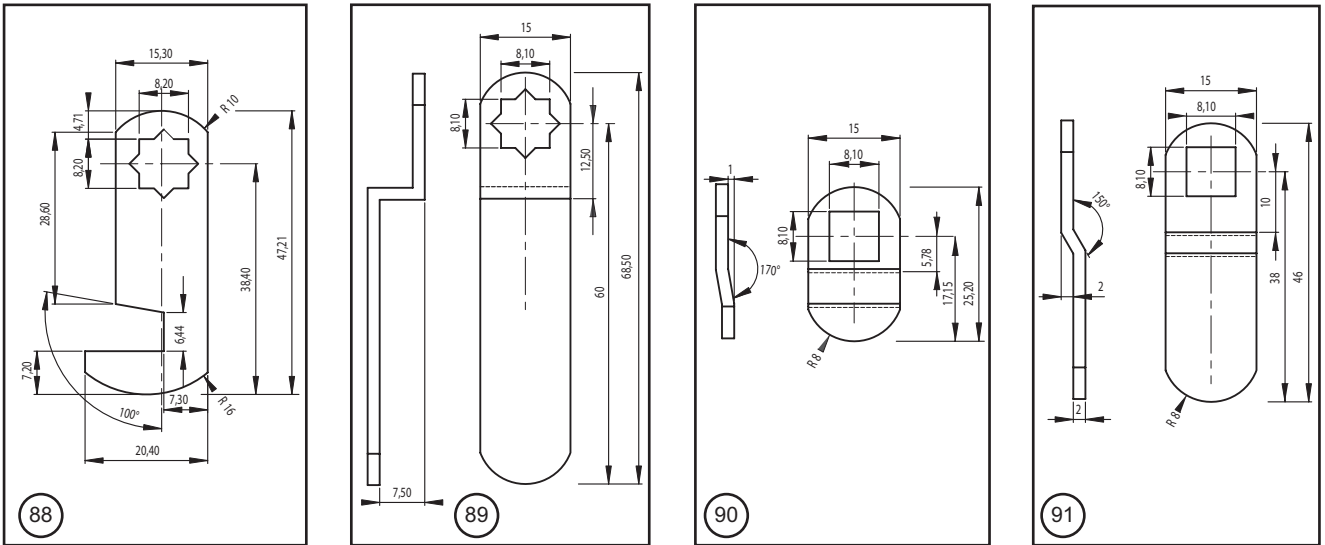
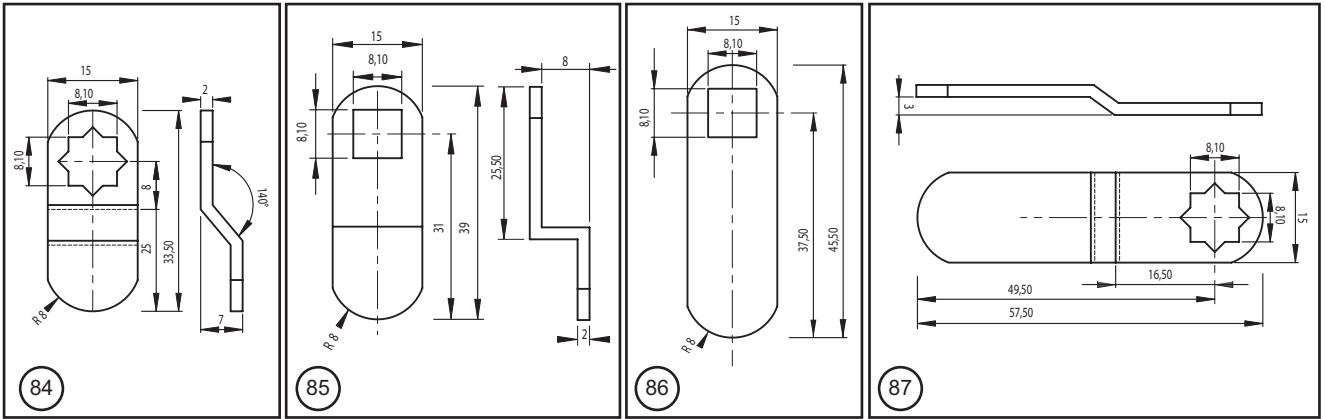
CAM PLATES NO. 25-44

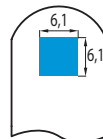
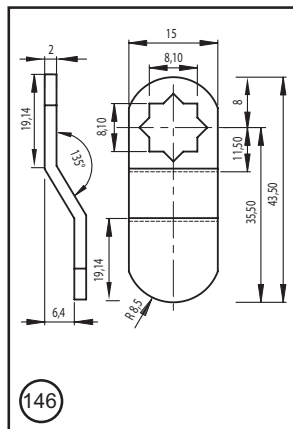
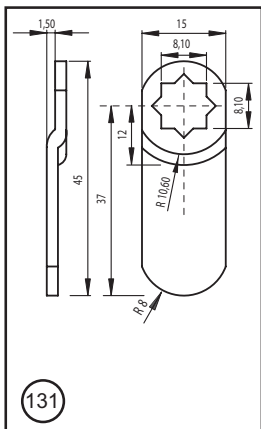
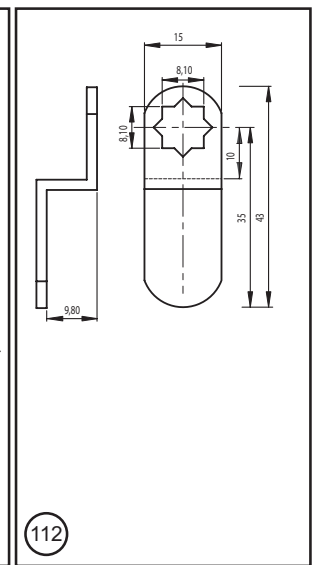
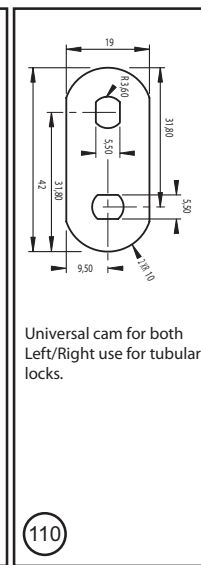
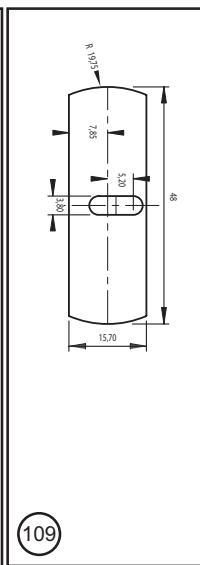
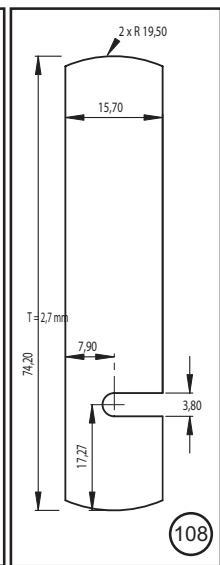
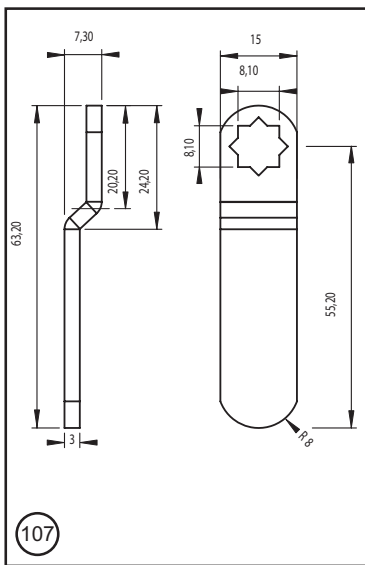
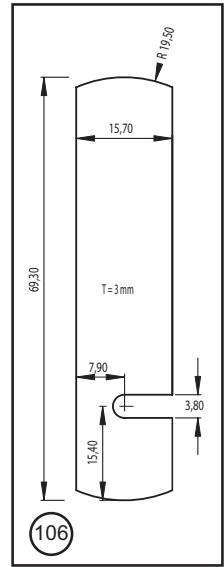
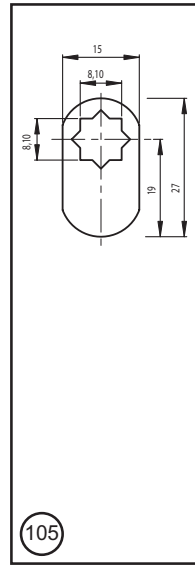
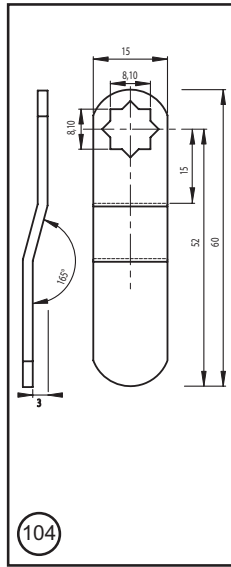
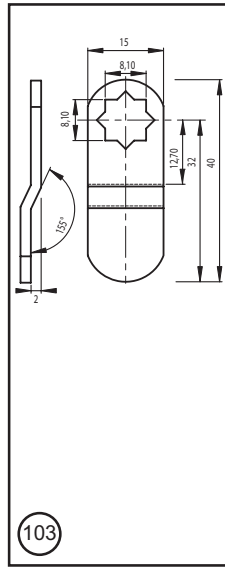
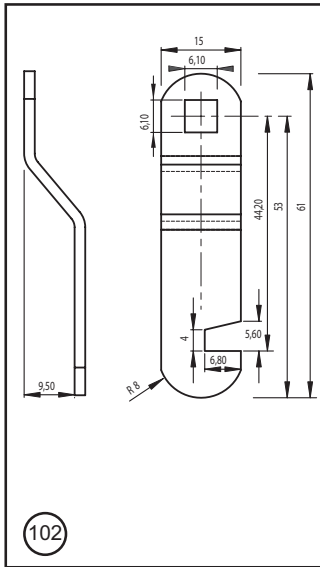




CAM PLATES NO. 65-82



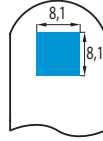




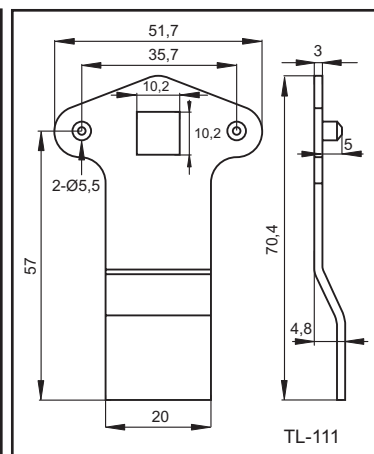
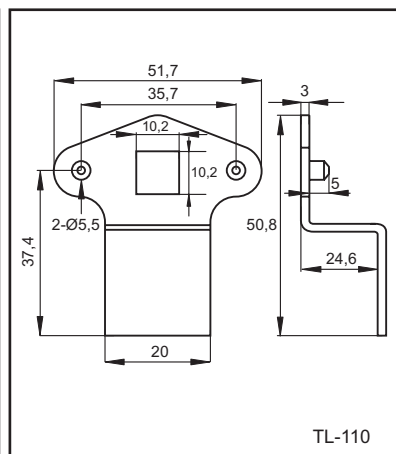
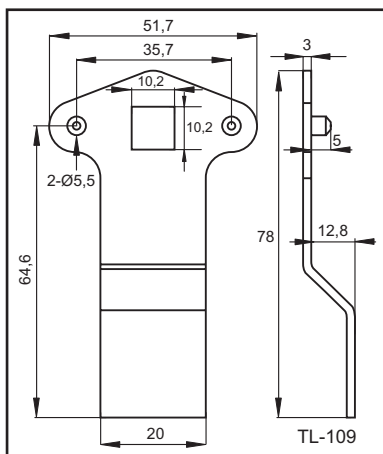
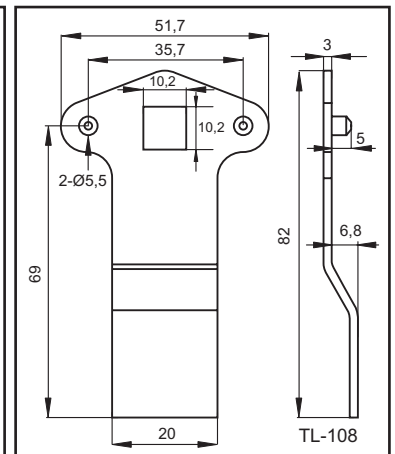
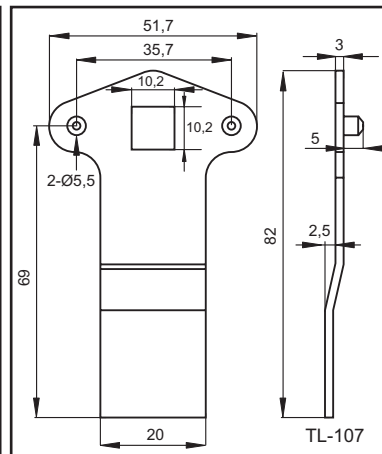
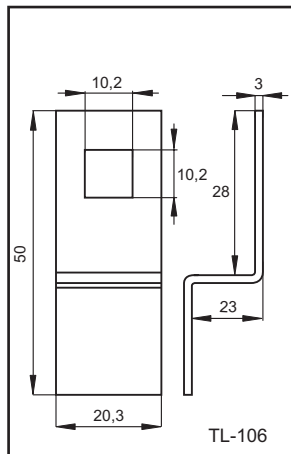
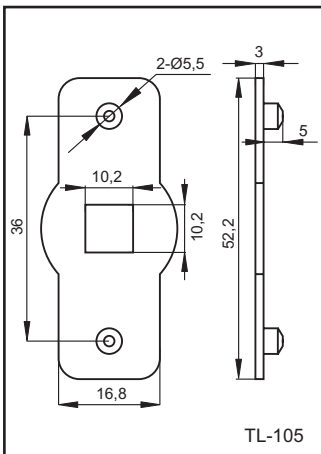
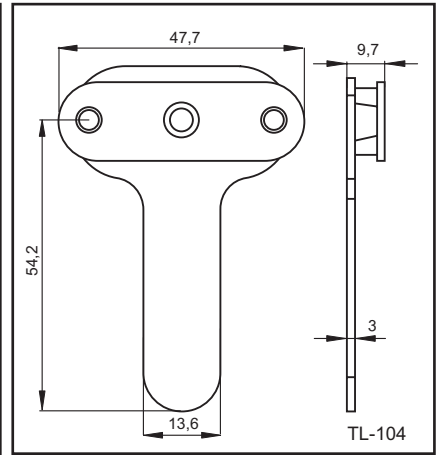
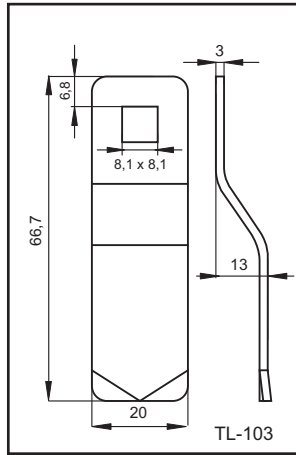
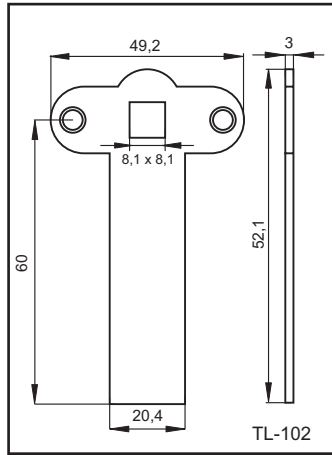
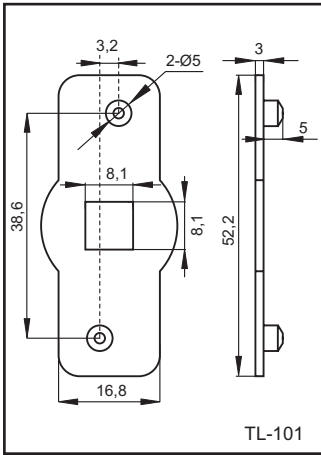
- ONLY FOR CAM LOCKS 5250 SERIES



- ONLY FOR CAM LOCKS 1900 SERIES



- ONLY FOR CAM LOCK MIC 1900 SERIES



GLASS DOOR LOCK MODEL "AUDIO" - NO DRILLING

MODEL „AUDIO“

Finish:

Plastic black # 14.09.256

Application:

Hinged glass doors
particularly for audio/hi-fi cabinets
No boring required

Accessories for one set:

1 lock
1 washer
2 screws
2 keys

Function:

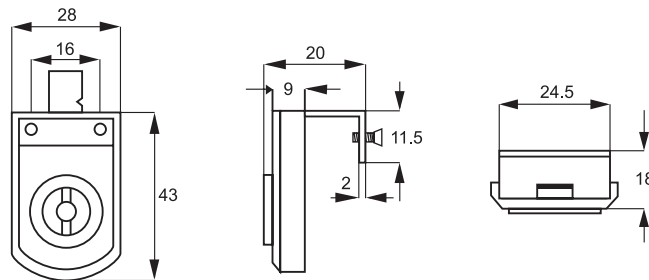
Turn key 180°
to lock or unlock

Specification:

Plastic/metal combination
one key change only

Packing:

500 pcs per export carton



GLASS DOOR LOCK VITRIO - HINGED DOORS

MODEL „VITRIO“

Finish:

Chrome plated # 14.09.350
Alu finish # 14.09.352
Gold plated # 14.09.353
Black anodized # 14.09.351
Brass plated # 14.09.360

Application:

Double hinged glass doors
Accessories for one set

A) left door
1 decorative cylinder
1 stainless steel front plate
1 hexagonal nut
1 plastic washer
B) right door
1 off-set hook cam
1 stainless steel front plate
1 hexagonal nut
1 plastic washer
2 car keys

Function:

Turn key 90° to lock
or unlock

Specification:

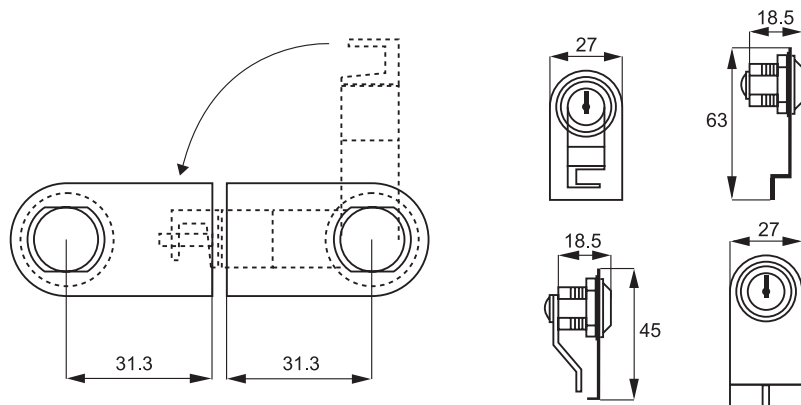
Cylinder zamak
front plates stainless steel
400 key combinations or key alike
Master Key system available
on request

Option:

Master key system

Packing:

300 pcs per export carton
25 pcs per box



MODEL #689

Finish:

Chrome plated	# 14.09.130
Mat nickel plated	# 14.09.131
Gold plated	# 14.09.129
Alu finish	# 14.09.132
Black anodized	# 14.09.136

Application:

Glass hinged doors 4-6 mm
Bore: Ø 26 mm

Accessories for one set:

- 1 cylinder lock
- 5 plastic washer
- 1 zamak stopper
- 2 car keys, double entry

Function:

Turn key 180° to lock
or unlock - w/click sound

Specification:

Zamak
400 key combinations or key alike
Master key & Interchangeable
system available on request

Option:

Master key
and interchangeable system

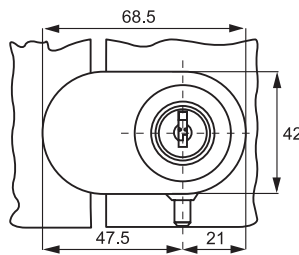
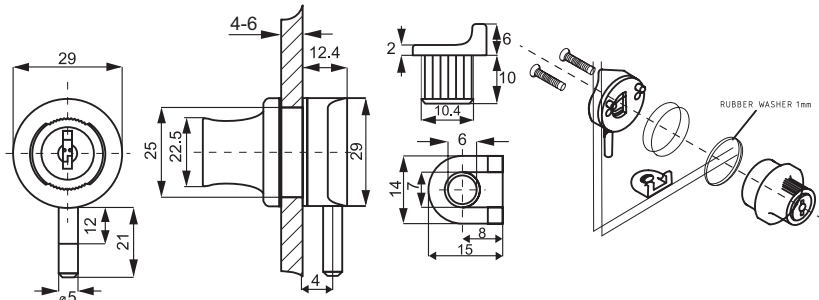
Packing:

20/200 pcs per box

Option:

Lock can be supplied with special
designed plate for double hinged
door

Chrome plated	# 14.09.170
Mat nickel plated	# 14.09.171
Alu finish	# 14.09.172
Gold plated	# 14.09.173



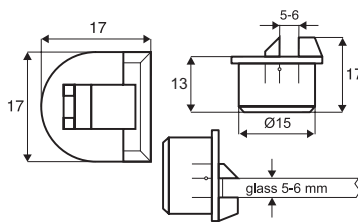
DOOR STOPPER

DOOR STOPPER w/catch

Finish: black plastic # 14.09.119

Application: inset glass door
hinged

Can be used as a shelf support
Max glass thickness 6,5 mm

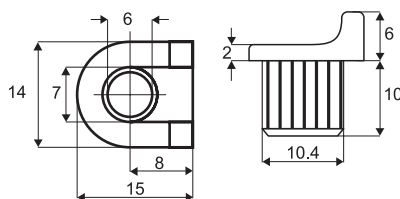


DOOR STOPPER w/hole

Finish: black plastic # 14.09.118

Application: inset glass door
hinged

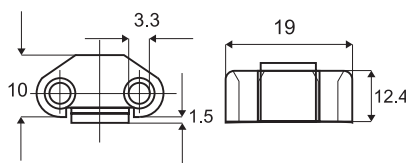
Recommended to use with locks
X-689 and 910 (as a stopper and
striking plate)



DOOR STOPPER w/bumper

Finish: black plastic # 14.09.105

Application: glass door hinged
Recommended to use with lock
0914



GLASS DOOR LOCK NO. 910

SINGLE DOOR, HINGED



MODEL #910

Finish:
Chrome plated # 14.09.108

Application:
Glass hinged doors 4-6 mm
Bore Ø 25 mm

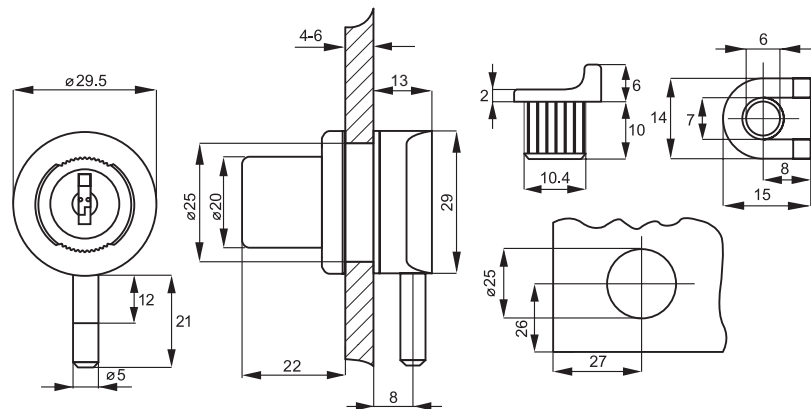
Accessories for one set:
1 cylinder lock
5 washer (plastic & rubber)
2 metal keys, double entry

Function:
Turn key 180° to lock or unlock
- w/click sound

Specification:
Zamak
400 key combinations or key alike
Master key & Interchangeable
system available on request

Options:
Master key and
interchangeable system

Packing:
240 pcs per export carton



GLASS DOOR LOCK MODEL "SAFE"

SINGLE DOOR, HINGED

MODEL „SAFE“

Finish:
Chrome plated # 14.09.320

Application:
Single glass door, hinged
Bore Ø 19 mm

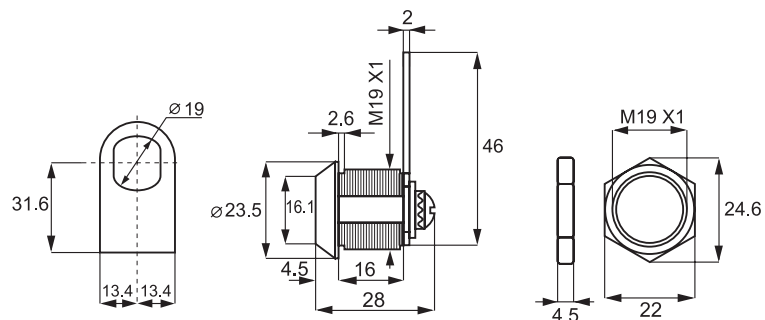
Accessories for one set:
1 cam lock
1 hexagonal nut
1 plastic washer
1 straight cam
1 front plate
1 flat striking plate
2 car keys, double entry

Function:
Turn key 90°
to lock or unlock - w/click sound

Specification:
Zamak
400 key combinations or key alike
Master key & Interchangeable
system available on request

Option:
Master key system

Packing:
12 pcs per box
240 pcs per export



MODEL X-916

Finish:

Black anodized # 14.09.047
 Chrome plated # 14.09.048
 Gold plated # 14.09.049

Application:

Hinged glass doors 4-6 mm
 Bore \varnothing 19 mm

Accessories for one set:

1 cam lock
 1 straight steel cam
 1 plastic washer + 1 hex nut
 1 flat striking plate:
 11 x 57 mm, npl
 2 car keys, double entry
 1 front plate zamak

Function:

Turn key 180° to lock
 or unlock - w/click action

Specification:

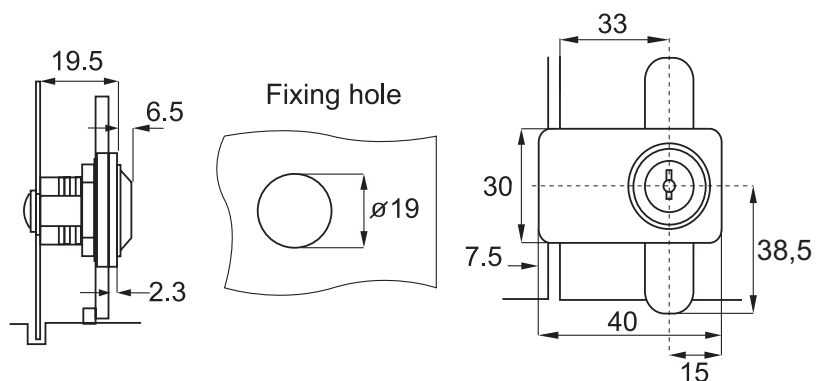
Plate & house: zamak
 400 key combinations or key alike
 Master key & Interchangeable
 system available on request

Option:

Master key system

Packing:

12 pcs per box
 240 pcs per export carton



GLASS DOOR LOCK #917 NO BORE - DOUBLE DOORS, HINGED

MODEL #917

Finish:

Chrome plated # 14.09.220
 Gold plated # 14.09.226
 Alu finish # 14.09.223

Application:

Double glass doors, hinged
 No boring required

Accessories for one set

1 lock w/large front plate
 2 fastening screws
 1 flat striking plate
 2 car keys double entry
 1 plastic distance plate

Optionals:

Door stopper # 14.09.118
 Spring stopper # 14.09.119

Function:

Turn key 180° to lock
 and reverse to unlock

Specification:

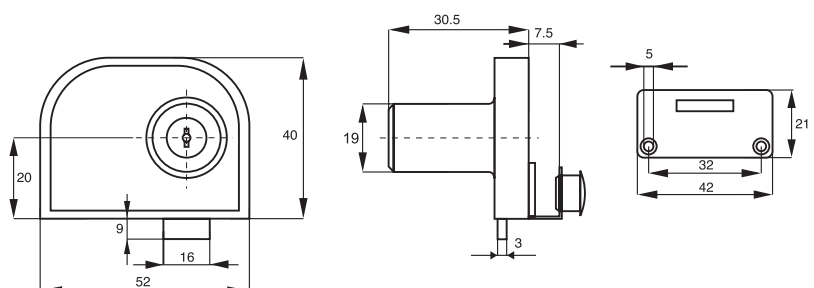
Zamak
 400 key combinations or key alike
 Master key & Interchangeable
 system available on request

Option:

Master key
 and interchangeable system

Packing:

12 pcs per box
 240 pcs per export box carton



MODEL X-907

Finish:

- Chrome plated # 14.09.417
- Mat nickel plated # 14.09.416
- Gold plated # 14.09.418
- Black anodized # 14.09.419

Application:

Glass sliding doors

Accessories:

- 1 lock
- 2 car keys, double entry
- 2 transparent washers

Function:

Push and turn key
90° to lock or unlock

Specification:

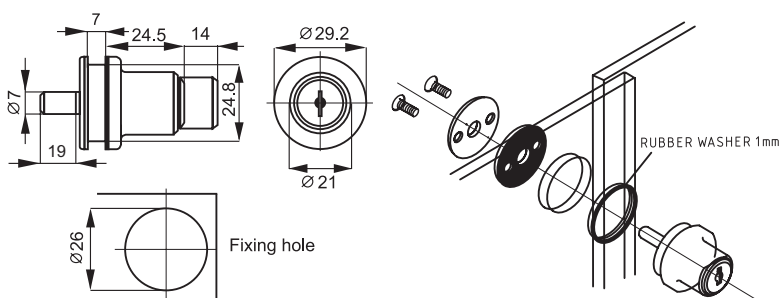
Zamak
400 key combinations or key alike
Master Key system available
on request

Options:

Master key system

Packing:

200 pcs per box



BRASS GLASS DOOR LOCK "SWAN" FOR 8-10 MM GLASS

MODEL „SWAN“

Finish:

- Gold plated # 14.09.000
- Chrome plated # 14.09.001

Material:

Brass

Consists of:

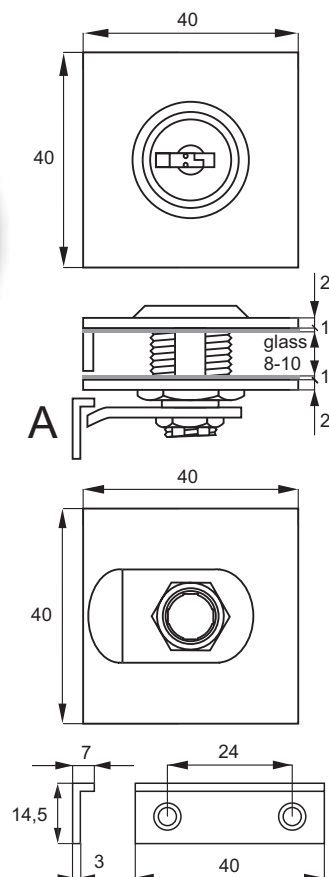
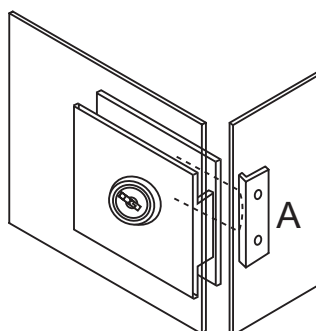
- 1 cylinder $\varnothing 20 \times 23$ mm
- 1 front plate w/bottom support
40 x 40 mm
- 1 back plate 40 x 40 mm
- 2 SISO metal keys, key alike
- 2 transparent cushions
- 1 hexagonal nut
- 1 off-set brass cam
- 1 raised brass striker

Function:

Turn key 180° to lock or unlock

Packing:

100 pcs per export carton



GLASS DOOR LOCK NO. 64081 SINGLE DOOR, HINGED

MODEL #64081

Finish:

Chrome plated # 14.09.210
Gold plated # 14.09.211
Black anodized # 14.09.212

Application:

Single glass door, hinged
No boring required

Accessories for one set:

1 lock w/front plate
2 fastening screws
1 flat striking plate
2 car keys double entry
1 plastic distance plate

Function:

Turn key 180° to lock
and reverse to unlock

Specification:

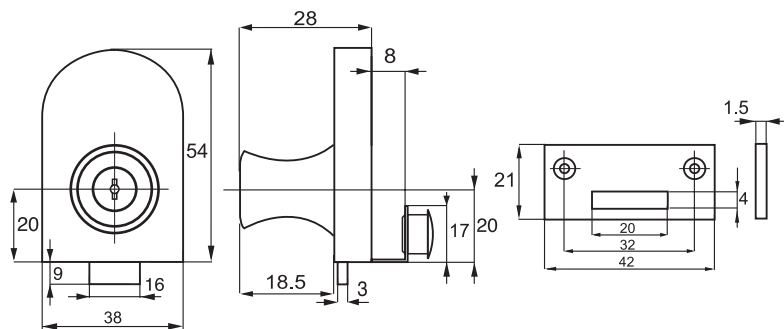
Zamak
400 key combinations
or key alike
Master key & Interchangeable
system available on request

Option:

Master key
and interchangeable system

Packing:

20 pcs per box
200 pcs per export carton



GLASS DOOR LOCK NO. X-918

MODEL No. 918

Finish:

Chrome plated # 14.09.217
Gold plated # 14.09.218
Alu finish # 14.09.217-1

Application:

Single glass doors, hinged
No boring required

Accessories for one set:

1 lock w/front plate
2 fastening screws
1 flat striking plate
2 car keys double entry
1 plastic distance plate

Optionals:

Door stopper # 14.09.118
Spring stopper # 14.09.119

Function:

Turn key 180°
to lock and reverse to unlock

Specification:

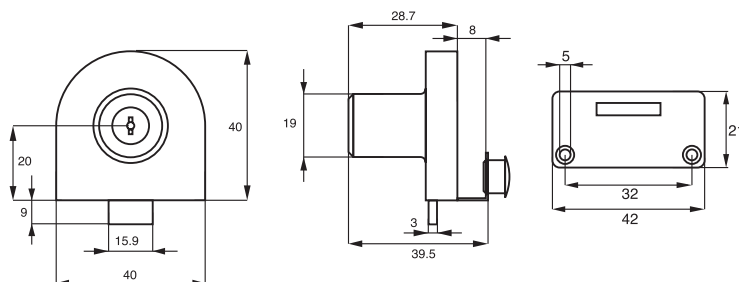
Zamak
400 key combinations or key alike
Master key & Interchangeable
system available on request

Option:

Master key
and interchangeable system

Packing:

12 pcs per box
240 pcs per export carton



STRIKER F/LOCK NO. X-918 F/DOUBLE HINGED DOORS

MODEL „STRIKER“

Finish:

Chrome plated # 14.09.246
Alu finish # 14.09.247
Gold plated # 14.09.248

Application:

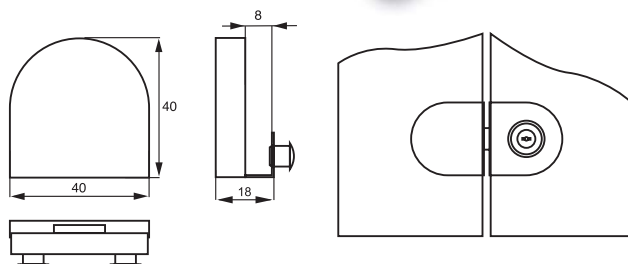
Single glass door, hinged
No boring required

Accessories for one set:

1 lock w/front plate
2 fastening screws
1 flat striking plate
1 plastic distance plate

Packing:

24 pcs per box
240 pcs per export carton

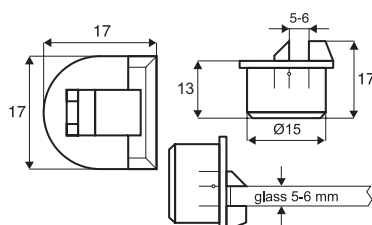


DOOR STOPPER w/catch

Finish: black plastic # 14.09.119

Application: inset glass door hinged

Can be used as a shelf support
Max glass thickness 6,5 mm



GLASS DOOR LOCK "VETRO"

MODEL „VETRO“

Finish:

Chrome plated # 14.09.261
Gold plated # 14.09.260
Black anodized # 14.09.262

Application:

Single glass door, hinged
No boring required
Max 8 mm glass thickness

Accessories for one set:

1 lock w/front plate:
2 fastening screws
1 flat striking plate
2 car keys double entry
1 plastic distance plate

Function:

Turn key 180° to lock
and reverse to unlock

Specification

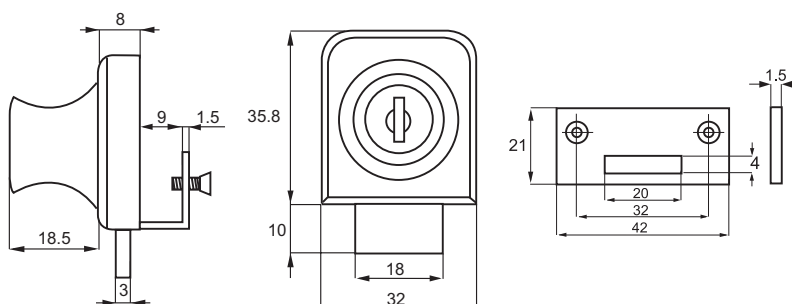
Zamak
400 key combinations
or key alike
Master key & Interchangeable
system available on request

Option:

Master key
and interchangeable system

Packing:

24 pcs per box
240 pcs per export carton



MODEL „VETRO-DOUBLE“

Finish:

Chrome plated # 14.09.270
 Gold plated # 14.09.271
 Black anodized # 14.09.272

Application:

Double glass doors, hinged
 No boring required
 Max 8 mm glass thickness

Accessories for one set:

1 lock w/front plate
 2 fastening screws
 1 flat striking plate
 2 car keys double entry
 1 plastic distance plate

Optionals:

Door stopper # 14.09.118
 Spring stopper # 14.09.119

Function:

Turn key 180°
 to lock and reverse to unlock

Specification:

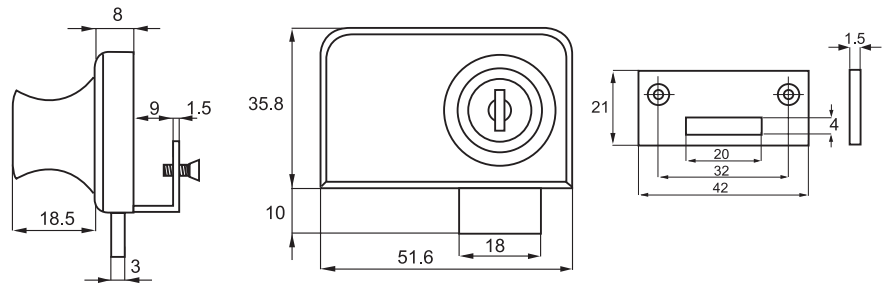
Zamak, 400 key combinations
 or key alike
 Master key & Interchangeable
 system available on request

Option:

Master key
 and interchangeable system

Packing:

24 pcs per box
 240 pcs per export carton



GLASS DOOR LOCK "MINI" SLIDING DOORS

MODEL „MINI“

Finish:

Chrome plated

Application:

Glass sliding door

Accessories for one set:

1 lock
 2 car keys
 1 nut

Function:

to lock - push the cylinder
 to unlock - turn key

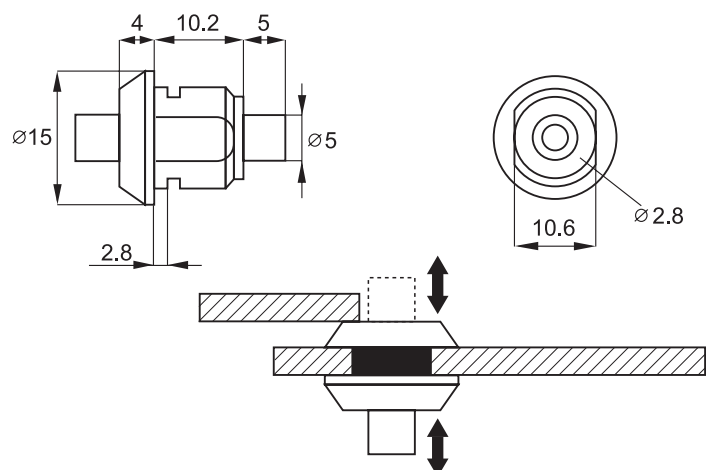
200 key combinations # 14.03.040
 key alike # 14.03.041

Options:

15 000 key combinations

Packing:

100 pcs per box
 5 box per export carton



MODEL X-750

Finish:

Chrome plated - 100 mm # 14.09.025
 Chrome plated - 132 mm # 14.09.030
 Chrome plated - 135 mm # 14.09.029

Application:

Glass sliding doors

Accessories for one set:

1 removable lock
 1 ratchet 100 or 132 mm
 1 screw w/protection pad
 2 metal keys

Function:

Mount ratchet into lock with flat end facing the fastening screw (see illustration).
 Turn key 180° and remove key to activate the lock

Specification:

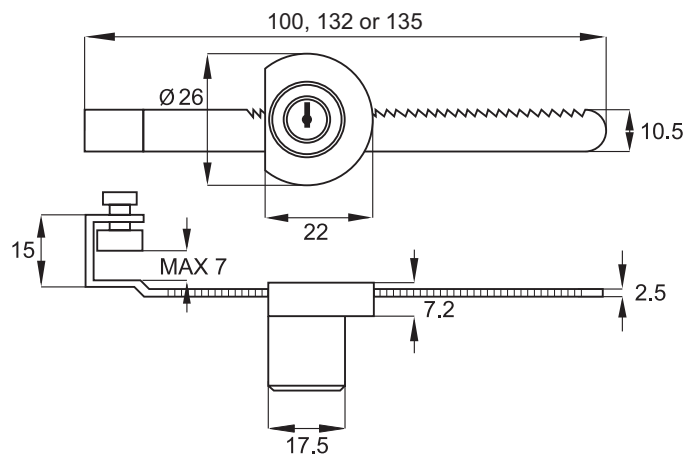
Zamak lock
 Ratchet steel
 25 key combinations

Option:

Master key or key alike

Packing:

240 pcs per export carton
 12 pcs per box



GLASS DOOR LOCK NO. 409

MODEL # 409

Finish:

Brass, chrome plated

Application:

Glass sliding doors

Accessories for one set:

1 plug - in cylinder
 1 housing (2 parts)
 2 rubber washers
 2 screws
 2 keys

Function:

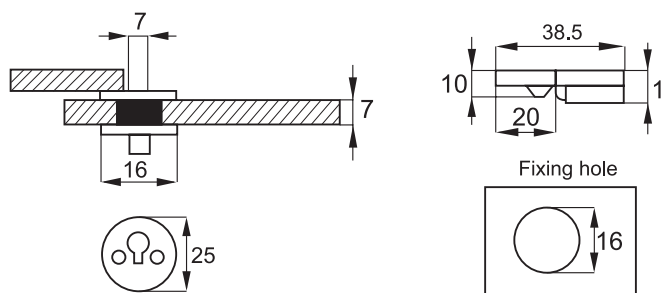
Place cylinder into lock case, turn and remove key, key removable in locked position only

Specification:

Brass lock
 25 key combinations # 14.09.300
 or key alike # 14.09.315

Packing:

500 pcs per export carton
 25 pcs per box



MODEL # 8600

Finish:

- Chrome plated # 14.09.420
- Alu finish # 14.09.423
- Chrome w/Master key # 14.09.422

Application:

Double sliding glass doors on alu rails

Accessories:

- 1 lock cylinder 22 mm
- 1 grub screw for fastening
- 2 metal keys, double entry

Function:

- Push cylinder to lock
- Turn key to unlock

Specification:

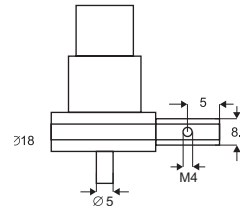
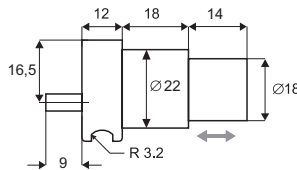
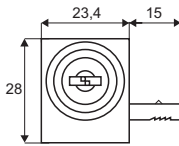
- Zamak house: 28 x 24 x 12 mm
- 400 key combinations or key alike
- Master Key system available on request

Option:

- Master key

Packing:

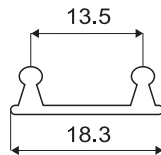
- 250 pcs per export carton
- 25 pcs per box



ACCESSORIES

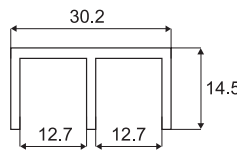
BOTTOM TRACK

- Aluminium:
- Anodized # 22.26.030
- Standard length: 2 metres



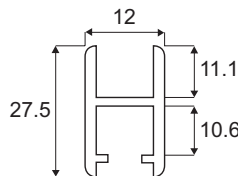
TOP E-TRACK

- Aluminium:
- Anodized # 22.26.010
- Standard length: 2 metres

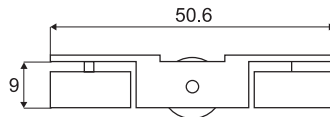


GLASS H-RAIL

- Aluminium:
- Anodized # 22.26.020
- Standard length: 2 metres
- For 5 - 6 mm glass thickness



- TROLLEY** w/Nylon Wheels
- Nickel plated # 22.26.040
- Load capacity: 3 kg



- U-SPLINE PLASTIC** # 22.26.060
- Rolls of 100 mts



- SILENCER** # 22.26.070
- Plastic, clear
- Bags of 100 pcs



- END CAP ZAMAK**
- Chrome plated # 22.26.050
- Alu finish # 22.26.049



PUSH BUTTON LOCK NO. 2010 F/DOUBLE SLIDING GLASS DOORS



MODEL #2010

Finish:

Alu finish	# 14.09.460
Chrome plated	# 14.09.461
Gold mat plated	# 14.09.463
Gold bright plated	# 14.09.462

Application:

Double sliding glass doors
premounted on aluminium frame

Accessories for one set:

- 1 cylinder push lock $\varnothing 22$ mm
- 1 universal bottom part
premounted for insertion
into H-rail on left or right side
- 2 grub screws for fastening onto the
h-rail
- 5 allen keys for every
20 lock sets for tightening the grub
screws
- 2 car keys, double entry

Function:

Push cylinder to lock
and turn key to unlock

Specification:

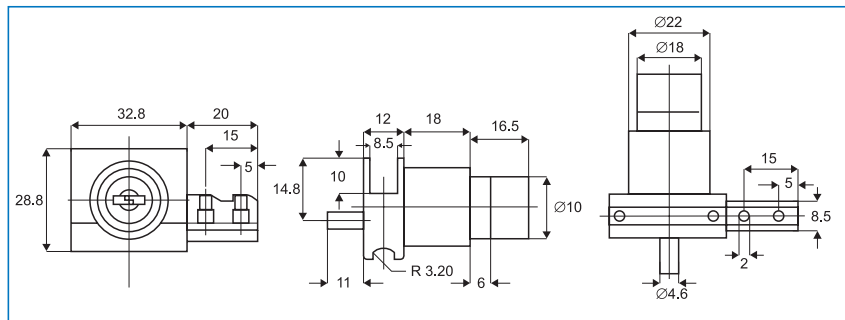
Zamak with 400 key combinations
or key alike
Master Key system available
on request

Option:

Master key system

Packing:

200 pcs per export carton
20 pcs per box



ACCESSORIES

U-SPLINE PLASTIC

22.26.060

Rolls of 100 mts

SILENCER # 22.26.070

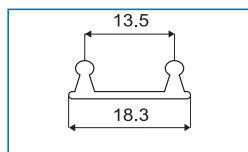
Plastic, clear
Bags of 100 pcs

END CAP ZAMAK

Chrome plated # 22.26.051
Alu finish # 22.26.052

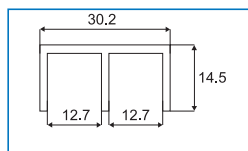
BOTTOM TRACK

Aluminium:
Anodized # 22.26.030
Standard length: 2 metres



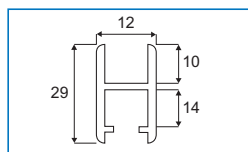
TOP E-TRACK

Aluminium:
Anodized # 22.26.010
Standard length: 2 metres

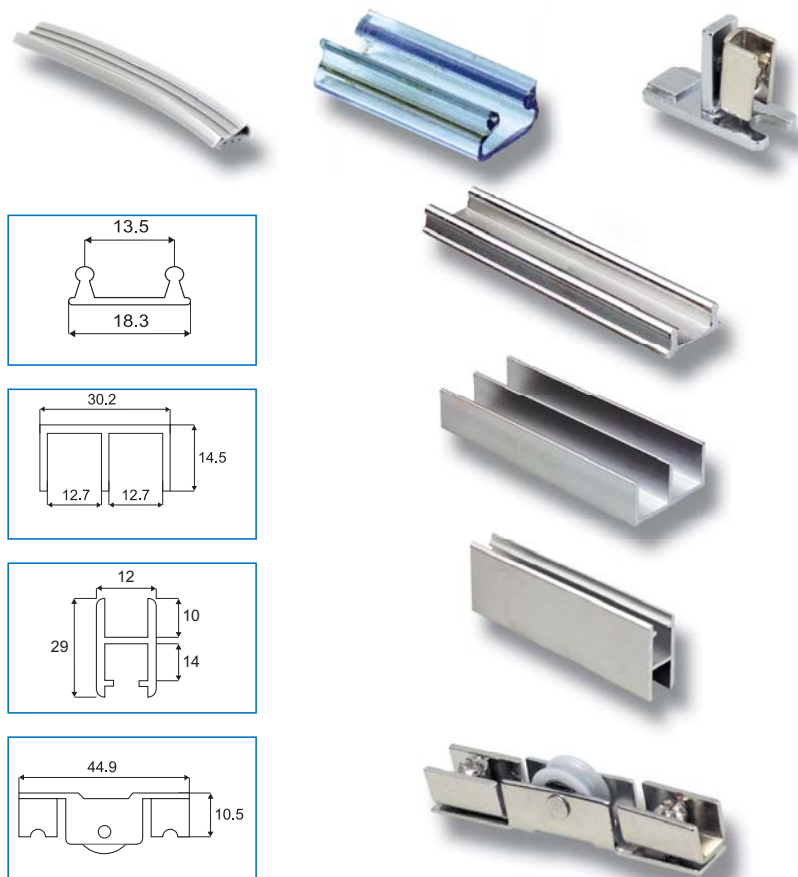
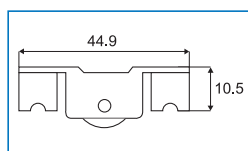


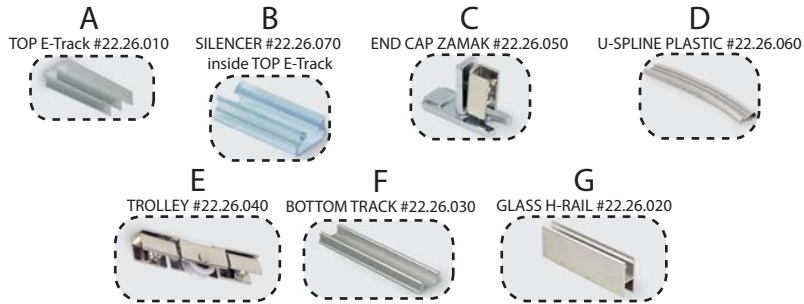
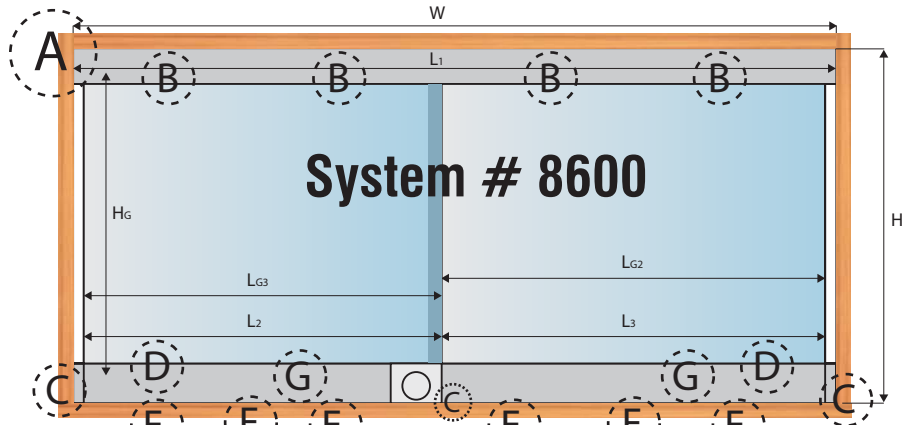
GLASS H-RAIL

Aluminium:
Anodized # 22.26.021
Standard length: 2 metres
For 5 - 6 mm glass thickness



TROLLEY w/Nylon Wheels
Nickel plated # 22.26.041
Load capacity: 3 kg





How to prepare glass doors size?

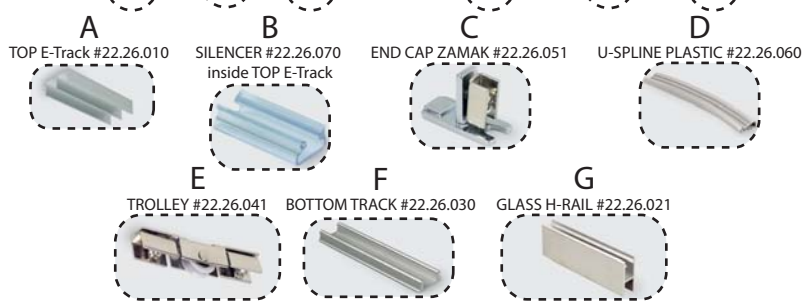
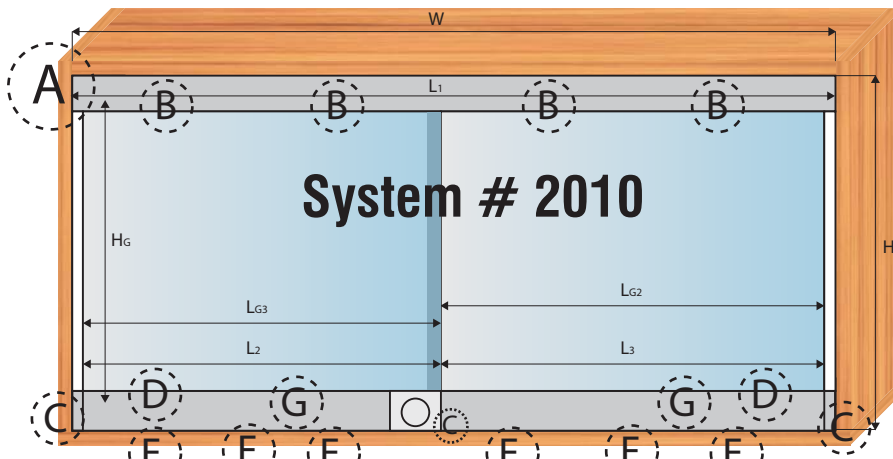
$$L_1 = W$$

$$L_2 = \frac{1}{2}L_1 + 30 \text{ mm}$$

$$L_3 = \frac{1}{2}L_1$$

$$H_G = H - 25 \text{ mm}$$

$$L_{G2} = L_3 - 2 \text{ mm}$$

$$L_{G3} = L_2 - 1 \text{ mm}$$


How to prepare glass doors size?

$$L_1 = W$$

$$L_2 = \frac{1}{2}L_1$$

$$L_3 = \frac{1}{2}L_1$$

$$H_G = H - 30 \text{ mm}$$

$$L_{G2} = L_3 - 2 \text{ mm}$$

$$L_{G3} = L_2 + 32 \text{ mm}$$

PUSH BUTTON LOCK #2740 W/STRIKER



Application:

Double sliding glass doors
Premounted on aluminium frame

Function:

Push & turn cylinder with key to lock
& turn key to unlock.
Can be installed into H-rail
on left or right side

Specification:

Zamak with 400 key combinations
or key alike
Master Key system available
on request

One set consists of:

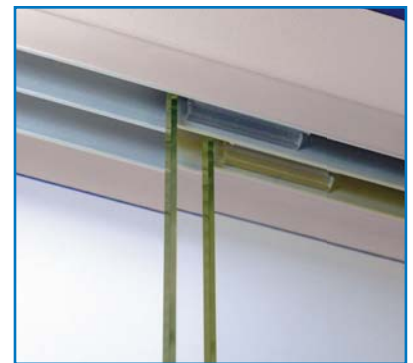
- 1 cylinder push lock \varnothing 22 mm
with hook pin
- 1 striker
- 2 round SISO metal keys, double
entry
- 1 hex key 2 mm
- 2 grub screws for fastening
onto the H-rail

Lock # 2740 w/striker:

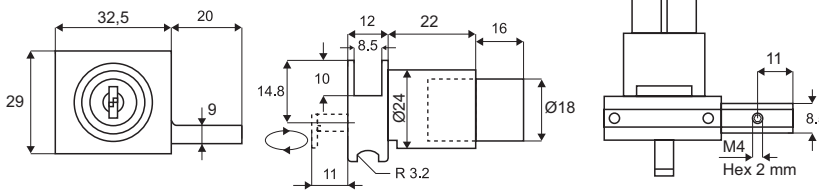
- Alu finish - key to differ # 14.09.440
- Alu finish - key alike # 14.09.441
- Alu finish - w/master key # 14.09.442

Packing:

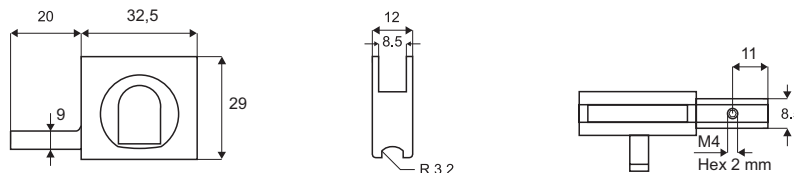
- 150 pcs per export carton
- 15 pcs per box



Lock #2740

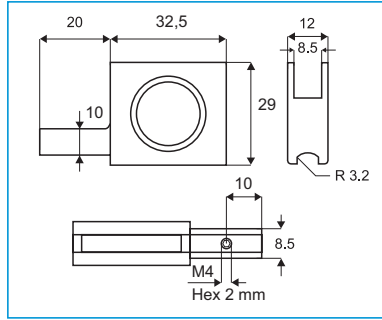


Striker f/lock #2740



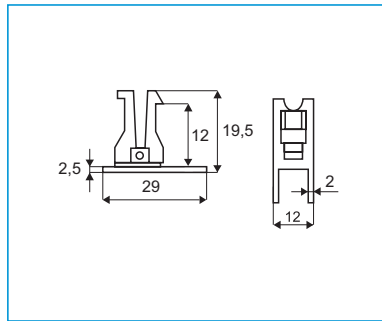
Glass door handle - Plastic

Alu finish # 14.09.445
F/fixing on H-rail w/grub screw



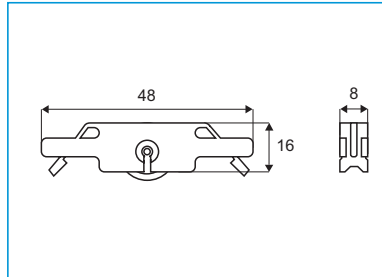
End cap - Plastic

Alu finish # 22.26.053
F/pressing into H-rail



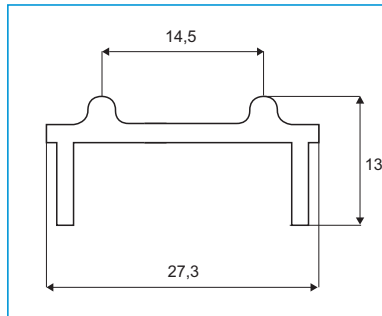
Trolley - w/ball bearing

Zinc plated # 22.26.042
F/fixing on H-rail be use of tool # 22.26.08
Load capacity: 12 kg pr. trolley



Bottom frame track

Aluminium # 22.26.032
Anodized
2 metres length



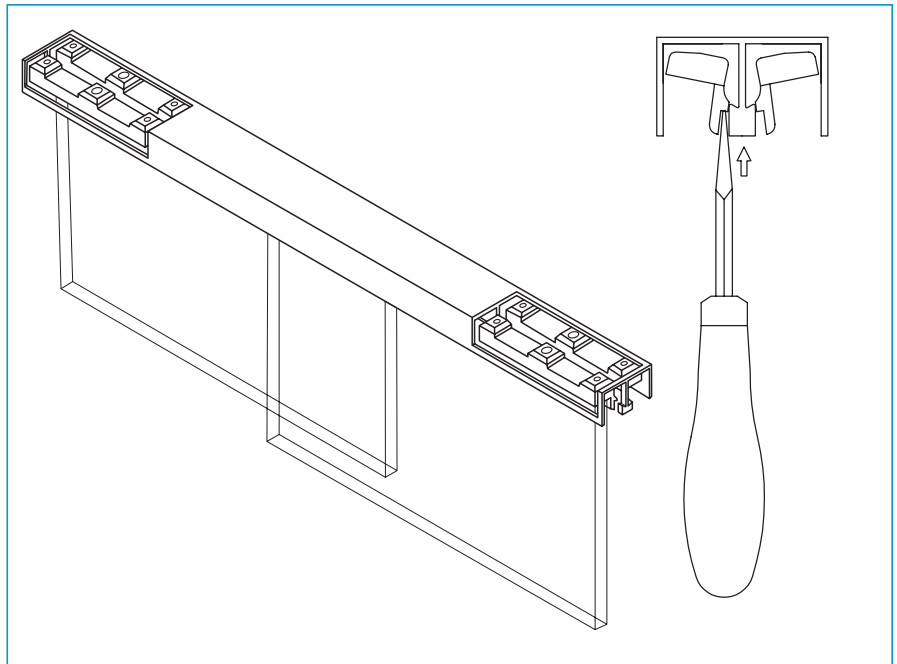
Tool for fixing trolley

Blue # 22.26.080



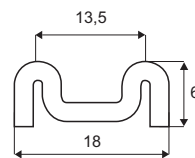
Anti-lift stopper - Plastic

Transparent # 22.26.075
F/pressing into top E-track to prevent lifting of glass



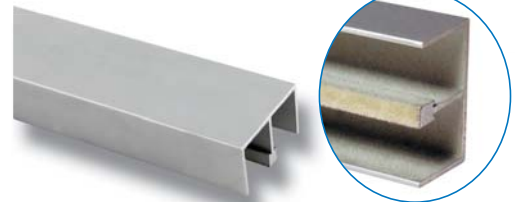
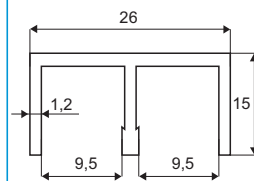
Bottom Track

Aluminium # 22.26.031
Anodized
2 metres length



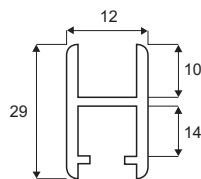
Top E-track with felt

Aluminium # 22.26.011
Anodized
2 metres length



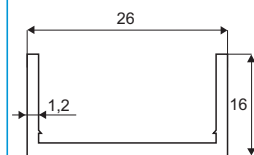
Glass H-rail f/ 5 - 6 mm glass

Aluminium # 22.26.023
Anodized
2 metres length



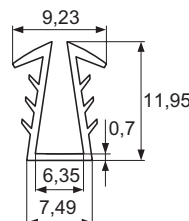
Side & bottom frame track

Aluminium # 22.26.025
Anodized
2 metres length

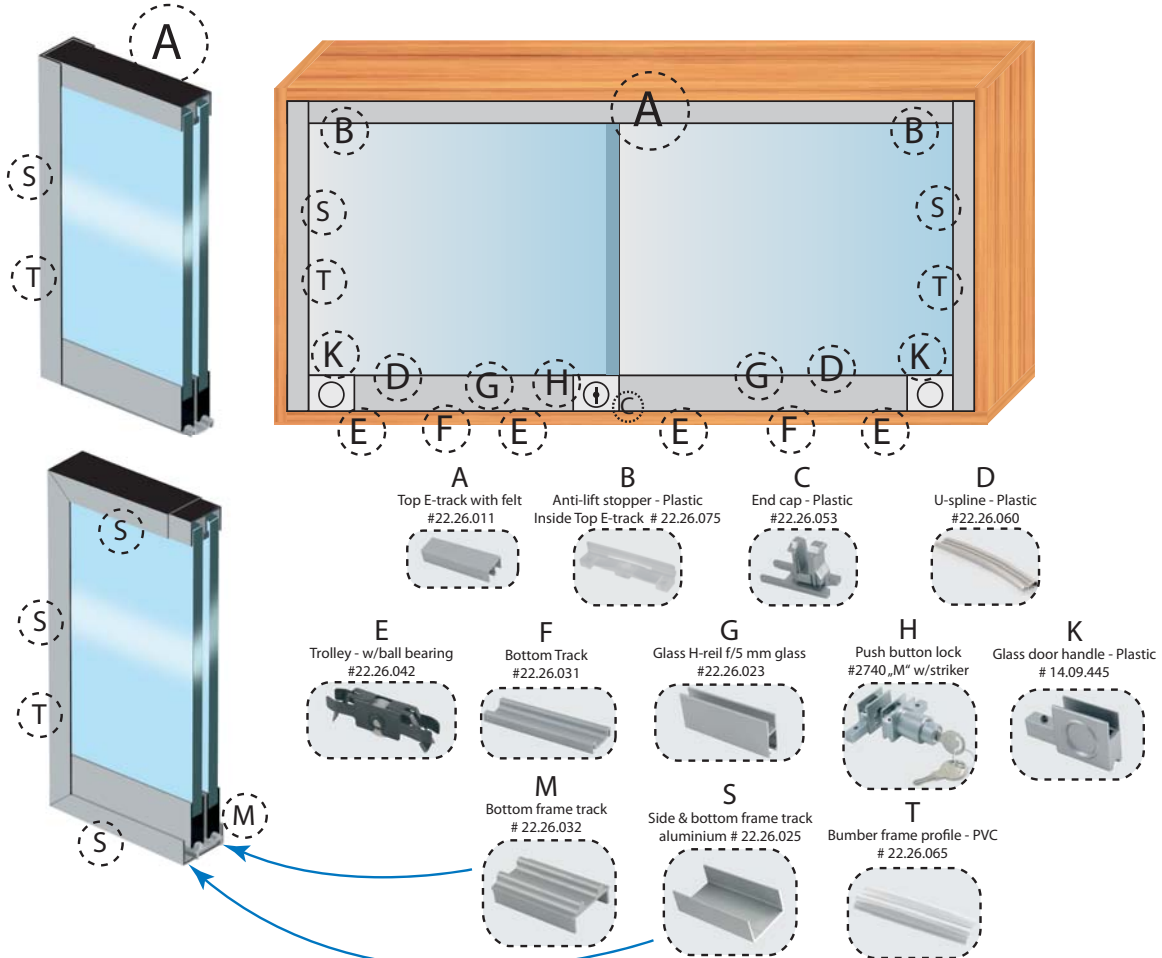
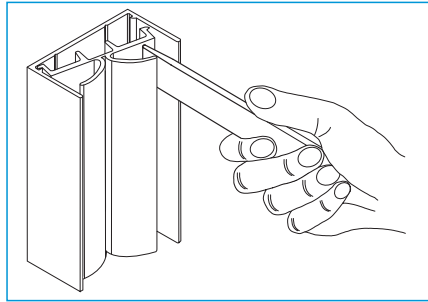


U-SPLINE PLASTIC

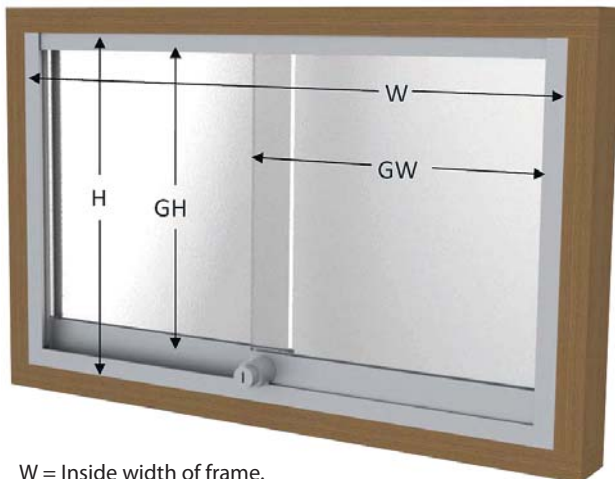
Grey color #22.26.060
Rolls of 100 meters



Bumber frame profile - PVC
 Transparent # 22.26.065
 2 metres length



#2740 Model



W = Inside width of frame.
 GW = Glass width.
 H = Inside height of frame.
 GH = Glass height.

With frame and high bottom rail (like on picture):

$$GW = ((W - 2,50 \text{ mm}) + 30 \text{ mm}) \times 0,5$$

↑ Frame ↑ Overlay

With bumpers at the sides deduct 10 mm from the GW result.

$$GH = H - 40 \text{ mm}$$

↑
Profile+ air.

Without frame and with low bottom rail:

$$GW = (W + 30 \text{ mm}) \times 0,5$$

↑
Overlay

With bumpers at the sides deduct 10 mm from the GW result.

$$GH = H - 25 \text{ mm}$$

↑
Profile+ air.

DOOR BAR HANDLE LOCKS SS-304 F/GLASS DOORS



Application

For locking of glass doors by use of key or turn knob. Suitable for 8-12 mm glass

Specifications

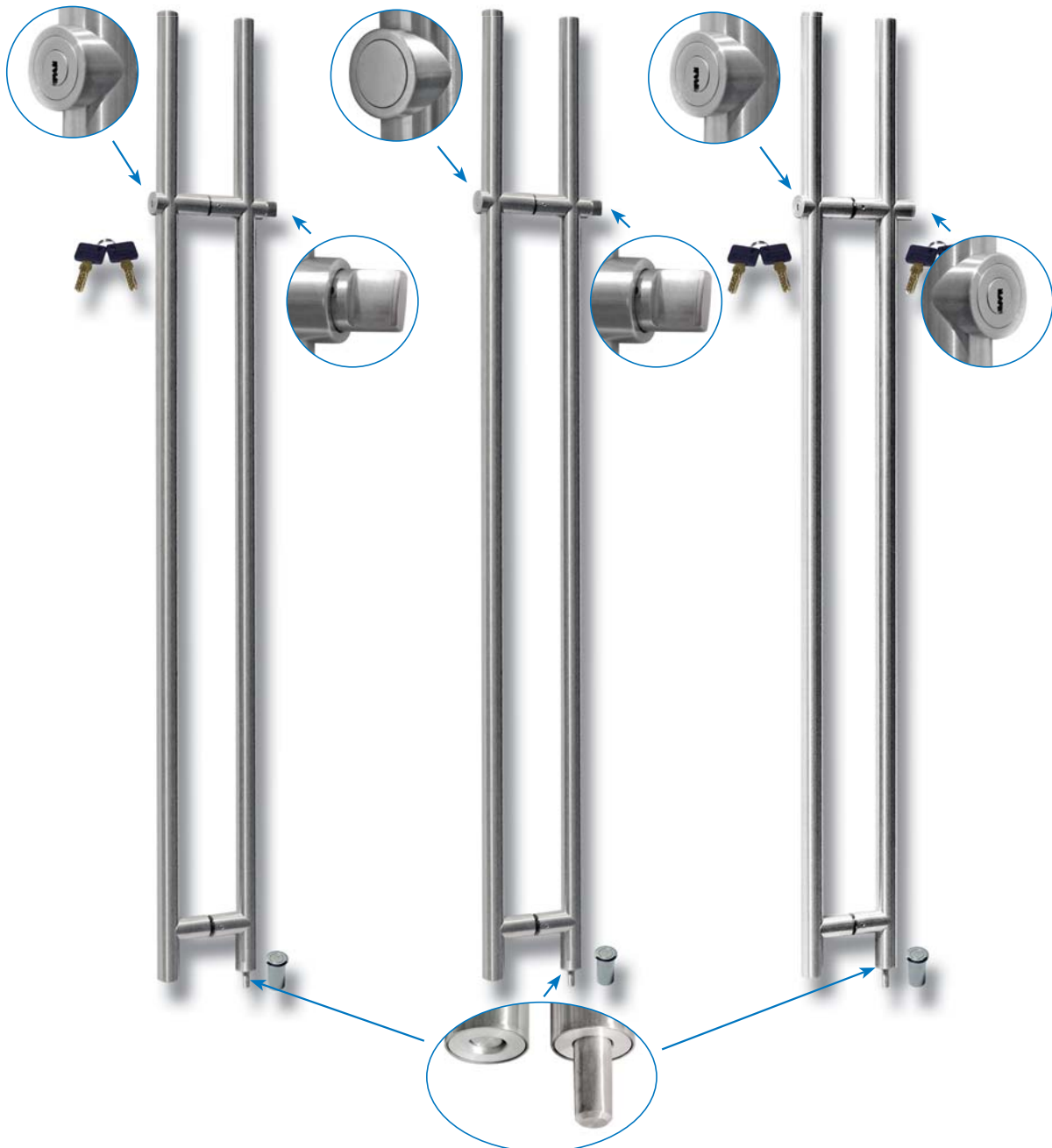
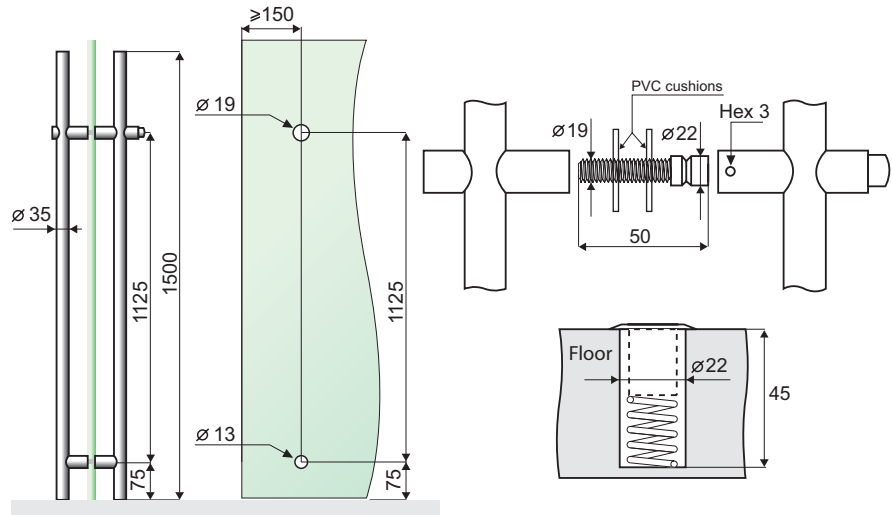
Bar handle \varnothing 35 x 1500 mm
Incl. floor socket w/spring dust cover
Cylinder with 5 SISO metal keys or turn knob
5000 KD on cylinder version

Material

Stainless steel SS-304 - brushed

Item No:

W/cylinder & knob # 14.60.600
W/knob on one side # 14.60.610
W/cylinder on 2 sides # 14.60.615



Application:

For metal or wooden doors, drawers, cabinets & boxes. W/Black rubber ring f/soft feeling.

Accessories for one set:

- 1 turn knob \varnothing 38 mm
- 1 cylinder \varnothing 19 x 20 mm
- 1 cam plate c.e.: 37 mm
- 1 hex nut

Specifications:

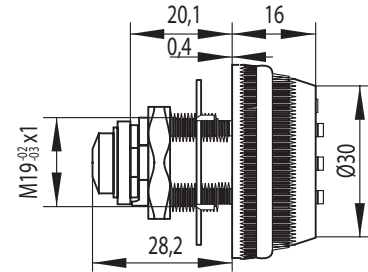
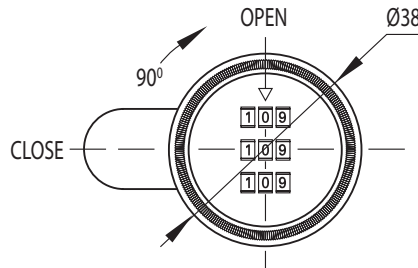
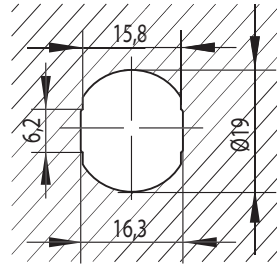
Turn knob & cylinder made of zamak.
 Cam and hex nut made of steel, NPL
 3 digits from 0 - 9
 90° turn. Right hand
 Pre-coded 000. Re-coding by pressing metal pin on side of housing in open position.

Packing:

- 20 pcs per box
- 200 pcs per export carton

Item No.:

- Black Anodized: # 14.08.203
- Chrome Plated: # 14.08.204



3-DIGIT COMBINATION LOCK "DOME"

Application:

For metal or wooden doors, drawers, cabinets, boxes etc.

Function:

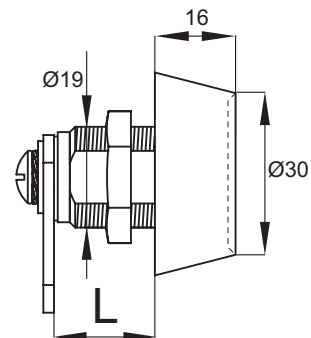
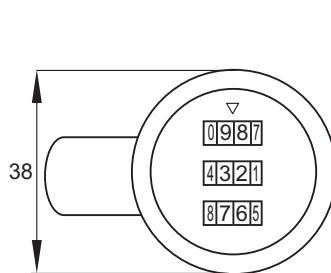
Rotation angle 90°

Specifications:

Zamak body, cylinder & hex nut
 Steel cam
 Pre-coded 000
 Re-coding by pushing split into hole in lock body in open position
 1000 combinations
 Available in 17,5, 22,5 & 29 mm cylinder lengths

Item No.:

- 17,5 mm # 14.08.200
- 22,5 mm # 14.08.201
- 29 mm # 14.08.202



COMBINATION CAM LOCK NO. 213

Application:

For drawers & cabinets.

Accessories for one set:

- 1 turn knob \varnothing 44 mm
- 1 cylinder \varnothing 19 x 20 mm
- 1 cam plate c.e.: 40 mm
- 1 hex nut

Specifications:

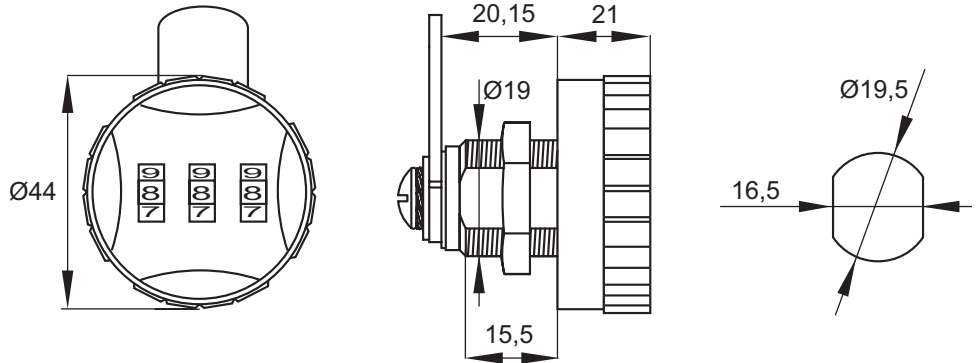
Turn knob made of black/grey plastic
 Cylinder made of zamak
 Cam and hex nut made of steel, NPL
 3 digits from 0 - 9
 90° turn. Right hand
 Pre-coded 000.
 Re-coding by pressing metal pin on side of housing into the housing in open position

Item No.:

Black/grey # 14.08.270

Packing:

- 20 pcs per box
- 200 pcs per export carton



COMBINATION CAM LOCK NO. M215

Application:

For drawers & cabinets

Accessories for one set:

- 1 turn knob \varnothing 44 mm
- 1 cylinder \varnothing 19 x 20 mm
- 1 cam plate c.e.: 40 mm
- 1 hex nut

Specifications:

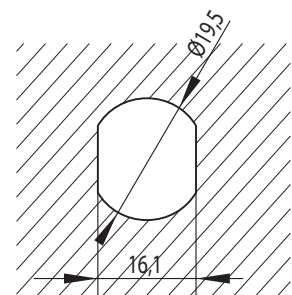
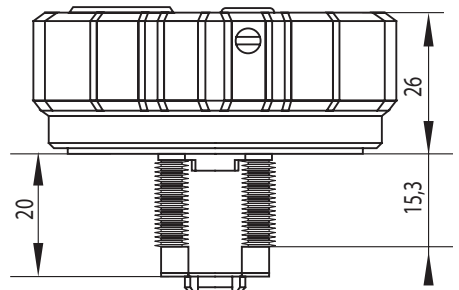
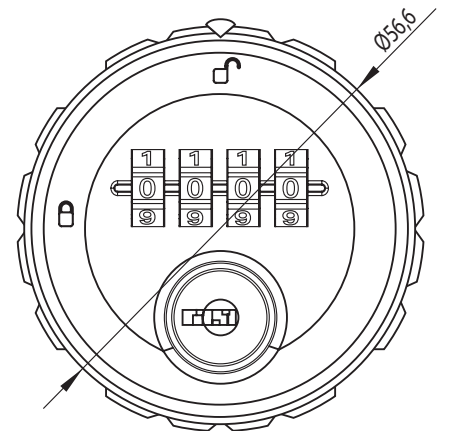
Turn knob made of black/grey plastic.
 Cylinder made of zamak
 Cam and hex nut made of steel, NPL
 4 digits from 0 - 9
 90° turn. Right hand
 Pre-coded 000.
 Re-coding by pressing metal pin on side of housing into the housing in open position.
 W/master key system code 201

Packing:

- 20 pcs per box
- 200 pcs per export carton

Item No.:

Lock: # 14.08.271
 Master key: # 14.08.250



SETTING YOUR PERSONAL COMBINATION

Your new resettable combination Cabinet Lock is preset at 0-0-0-0. (Even though may appear in other numbers)

To reset combination:

- Step 1**
Leave the dials at preset combination (0-0-0-0).
- Step 2**
Turn the lock clockwise 90° to the open position.
- Step 3**
Use a flat head screwdriver, turn reset button 90° clockwise, then you can set the dials to your own combination.
- Step 4**
Turn back the reset button to original position, then the lock is free to use.

Decode function:

Use the master key, turn it 90° clockwise.
 Rotate the dials, they will stop at the preset code.

COMBINATION CAM LOCK NO. 210 FOR METAL FURNITURE

Application:

For metal drawers & cabinets. Max 2 mm panel thickness.

Accessories for one set:

- 1 lock body
66,2 x 31,2 x 12,7 mm (W/H/D)
- 1 cam plate c.e.: 32 mm
- 1 spring mounting clip

Specifications:

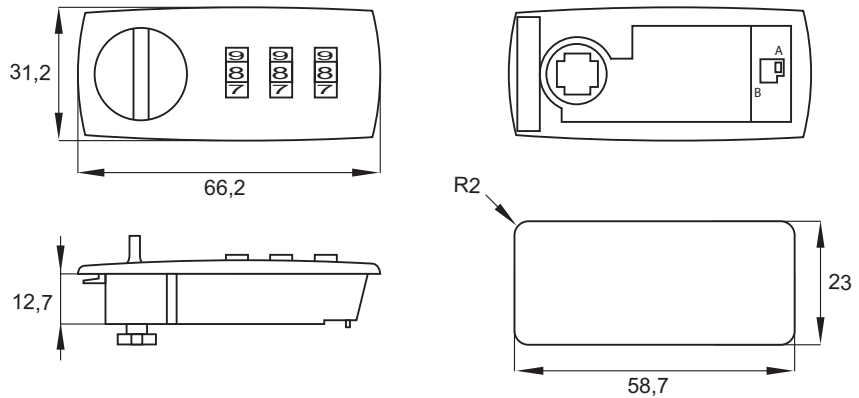
Lock body made of black plastic.
Cam and spring clip of steel
3 digits from 0 - 9
90° turn & right hand
Pre-coded 000
Re-coding by switching button on back side from A to B & back
Installation measurements
58,7 x 23 x R2

Packing:

20 pcs per box
200 pcs per export carton

Item No.:

Black: # 14.08.230



COMBINATION CAM LOCK NO. 212 F/METAL FURNITURE W/MASTER KEY

Application:

For metal drawers & cabinets.
Max 2 mm panel thickness.

Accessories for one set:

- 1 lock body
66,2 x 31,2 x 12,7 mm (W/H/D)
- 1 cam plate c.e.: 32 mm.
- 1 spring mounting clip
- 1 master key code # 201 pr. each
20 locks

Specifications:

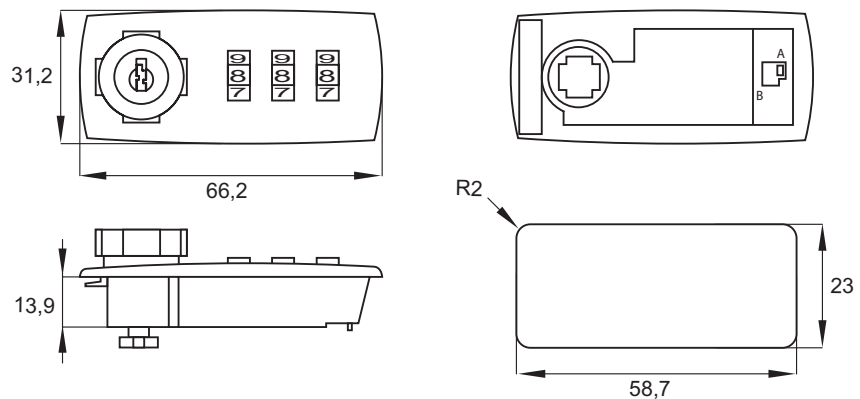
Lock body made of black plastic.
Cylinder inner core made of zamak
Cam, spring clip & key made of steel
3 digits from 0 - 9
90° turn & right hand.
Pre-coded 000.
Re-coding by switching button on back side from A to B & back
W/master key
Installation measurements
58,7 x 23 x R2

Packing:

20 pcs per box
200 pcs per export carton

Item No.:

Black # 14.08.232



COMBINATION LOCK M224, 4-DIGITS MASTER KEY & CODE FINDER



Application:

For drawers and cabinets

Accessories for one set:

- 1 lock body
- 72,8 x 42,8 x 25,3 mm L/W/D
- 1 cam plate c.e: 32 mm (steel)
- 1 spring mounting clip (steel)

Specifications:

- ABS lock housing
- Cylinder inner core made of zamak
- 4 digits fom 0-9
- 90° turn - right or lef hand
- With master key and code finder

Item No.:

- 90° right hand # 14.08.259-0
- 90° left hand # 14.08.259-9

Application for metal or wooden panel by optional back plates.

Item No.:

- For Metal # 14.08.247
- For Wood # 14.05.248

- Master key C201 # 14.08.250



For metal.
Item No.: # 14.08.247



For wood.
Item No.: # 14.08.248

SETTING YOUR PERSONAL COMBINATION

Your new resettable combination Cabinet Lock is preset at 0-0-0-0. (Even though dials may appear in other numbers).

To reset combination:

Step 1

Leave the dials at preset combination 0-0-0-0.

Step 2

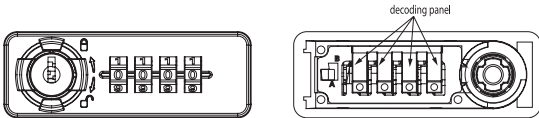
Turn the button clockwise 90° / 180° to the open position.

Step 3

Push the lever on the back of lock from A to B position. Set the dials to your own desired combination.

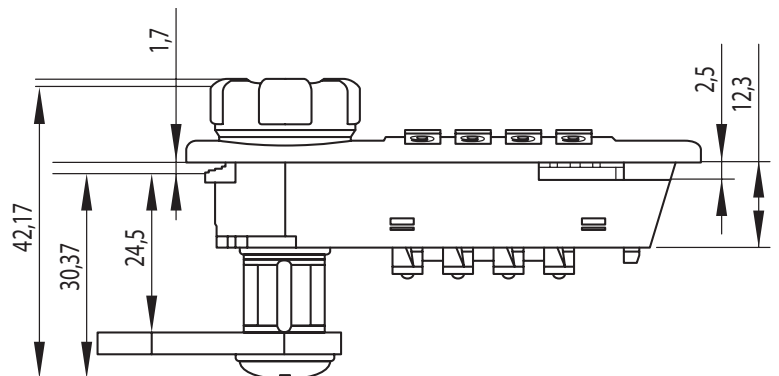
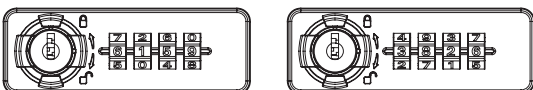
Step 4

Push the lever back to A position, your lock is now ready to open at your own personal combination.



Decode function:

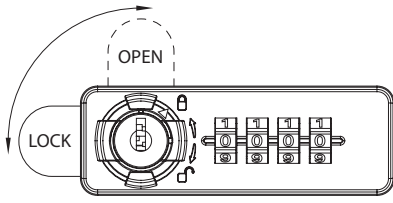
Press down the decoding panel, keep holding it. Rotate the dial till the decoding panel sink. Repeat the same process for all dials, you will get the numbers. (ex:6159)
Minus 3, it is the preset combination.(ex:3826)



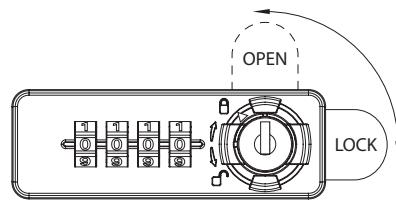
COMBINATION LOCK M224, 4-DIGITS MASTER KEY & CODE FINDER

Item No.: # 14.08.259-0 Combi. Cam Lock M224,
4-Digit, RH, 90°, Master Key+Code

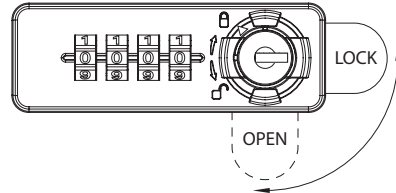
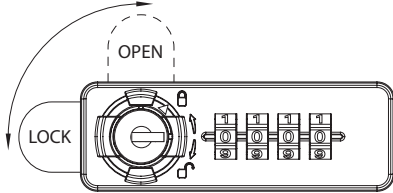
Item No.: # 14.08.259-9 Combi. Cam Lock M224,
4-Digit, LH, 90°, Master Key+Code



When Master Key is used

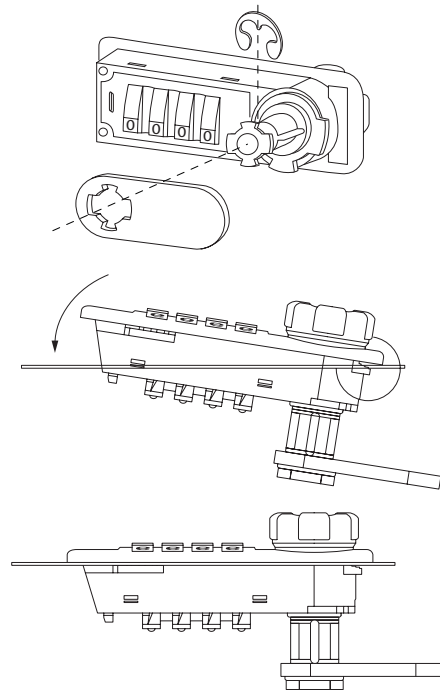
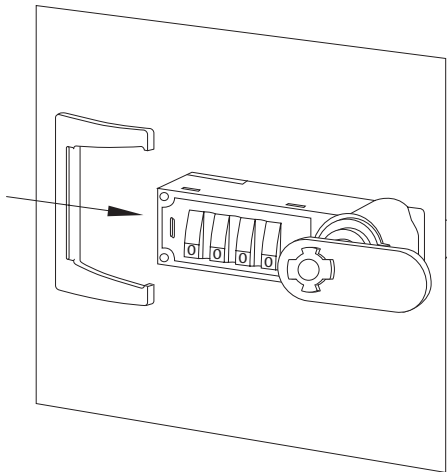


When Master Key is used



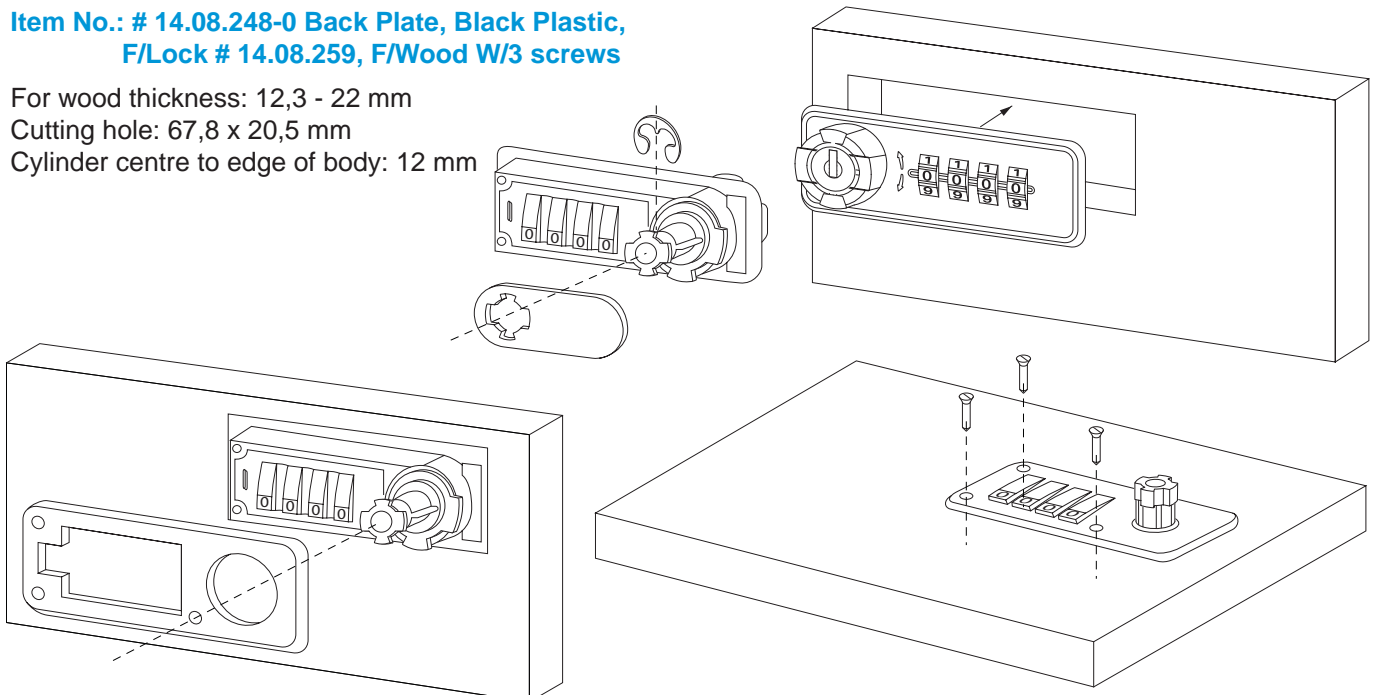
Item No.: # 14.08.247-0 Back Plate, Black Plastic,
F/Lock # 14.08.259, F/Metal W/3 Screws

For steel thickness: 0,8 - 1 mm
Cutting hole: 66 x 20,5 mm
Cylinder centre to edge of body: 12 mm



Item No.: # 14.08.248-0 Back Plate, Black Plastic,
F/Lock # 14.08.259, F/Wood W/3 screws

For wood thickness: 12,3 - 22 mm
Cutting hole: 67,8 x 20,5 mm
Cylinder centre to edge of body: 12 mm



COMBINATION CAM LOCK M237 – “PUBLIC/PRIVATE” W/MASTER KEY & CODE FINDER



Application:

For metal drawers & cabinets

Accessories for one set:

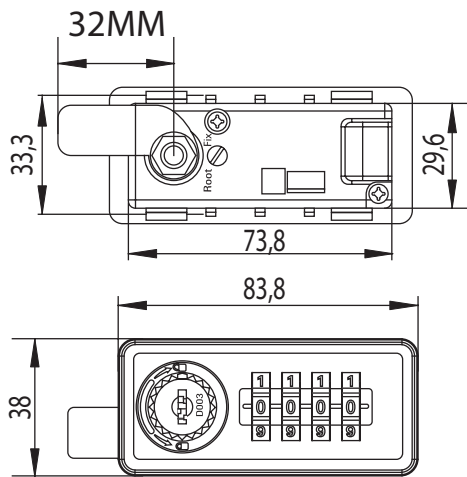
- 1 Lock body 73,8 x 33,3 x 29,6 mm (L/W/D)
- 1 angled cam plate c.e.: 32 mm
- 1 lock washer
- 1 hex nut

Specifications:

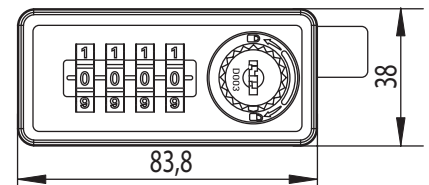
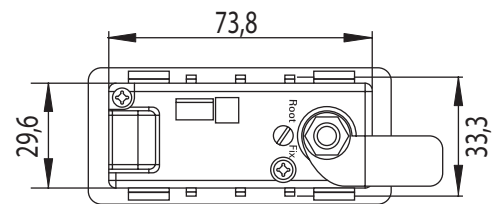
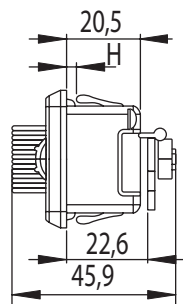
- ABS lock housing
- Cylinder inner core made of zamak
- Cam and hex nut made of steel, NPL
- 4 digits from 0 - 9
- 180° turn.
- Right or Left hand version
- Public or private setting by use of switch button
- W/master key system code D001 & code finder
- F/1 mm metal sheet

Item No.:

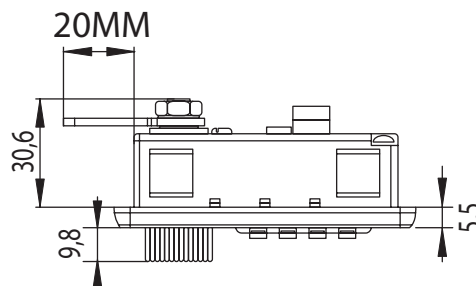
- Right Hand: # 14.08.600
- Left Hand: # 14.08.601
- Master Key D001 # 14.08.605



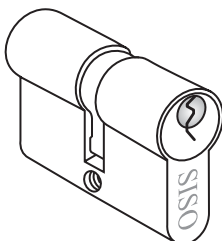
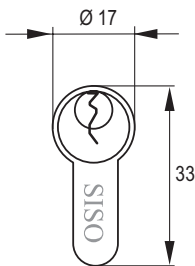
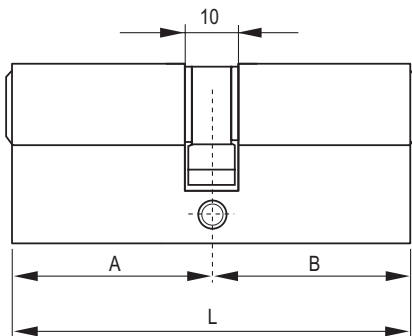
Right hand



Left hand



Euro Profile Cylinders Yale or FAB keyway with 1 mounting screw 65 mm and 3 brass keys - with 5 pins

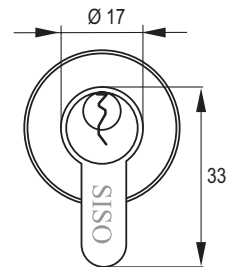
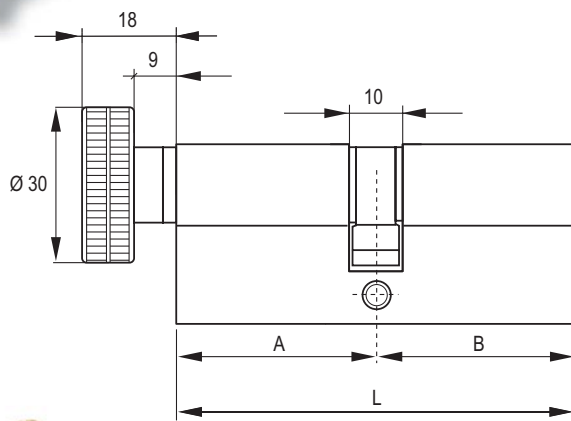
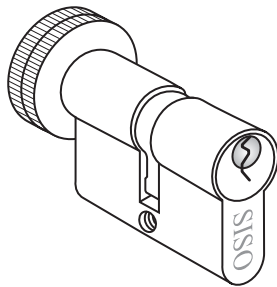


No.	L	A	B	FINISH
# 14.60.037	62	26	26	Nickel satin - Yale keyway
# 14.60.038	62	26	26	Brass satin - Yale keyway
# 14.60.042	70	30	30	Brass satin - Yale keyway
# 14.60.043	70	30	30	Nickel satin - Yale keyway
# 14.60.046	80	25	45	Brass satin - Yale keyway
# 14.60.071	65	30	25	Brass polished - FAB keyway
# 14.60.074	65	30	25	Nickel satin - FAB keyway
# 14.60.114	80	25	45	Brass polished - FAB keyway
# 14.60.115	70	30	30	Brass polished - FAB keyway
# 14.60.116	70	30	30	Nickel plated - FAB keyway
# 14.60.117	70	25	35	Brass polished - FAB keyway
# 14.60.118	70	25	35	Nickel plated - FAB keyway
# 14.60.119	80	30	40	Brass polished - FAB keyway
# 14.60.120	80	30	40	Nickel plated - FAB keyway
# 14.60.121	80	35	35	Brass polished - FAB keyway
# 14.60.122	80	35	35	Nickel plated - FAB keyway
# 14.60.122	85	35	40	Brass polished - FAB keyway
# 14.60.123	90	35	45	Brass polished - FAB keyway
# 14.60.124	90	35	45	Nickel plated - FAB keyway
# 14.60.125	90	30	50	Brass polished - FAB keyway
# 14.60.126	90	30	50	Nickel plated - FAB keyway
# 14.60.127	95	35	50	Brass polished - FAB keyway
# 14.60.128	95	35	50	Nickel plated - FAB keyway
# 14.60.129	100	45	45	Brass polished - FAB keyway
# 14.60.131	75	30	35	Brass polished - FAB keyway
# 14.60.132	75	30	35	Nickel plated - FAB keyway
# 14.60.133	85	30	45	Brass polished - FAB keyway
# 14.60.135	90	40	40	Brass polished - FAB keyway
# 14.60.136	90	40	40	Nickel plated - FAB keyway

SOLID BRASS PROFILE CYLINDERS

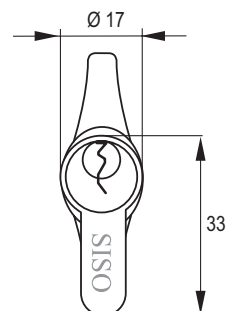
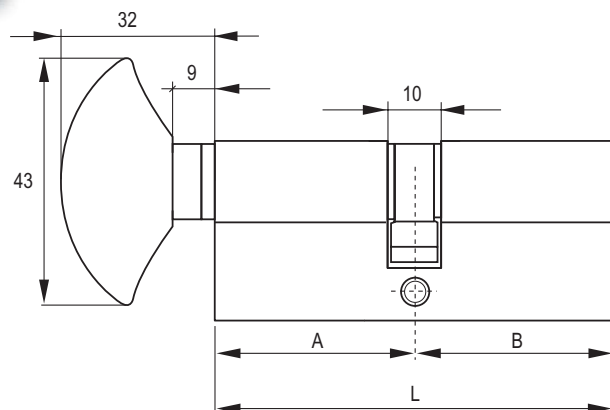
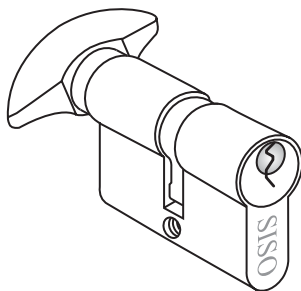
No.	L	A	B
# 14.60.027	60	25	25

Finish:
Brass polished
Yale keyway



No.	L	A	B
# 14.60.028	60	25	25

Finish:
Brass polished
Yale keyway



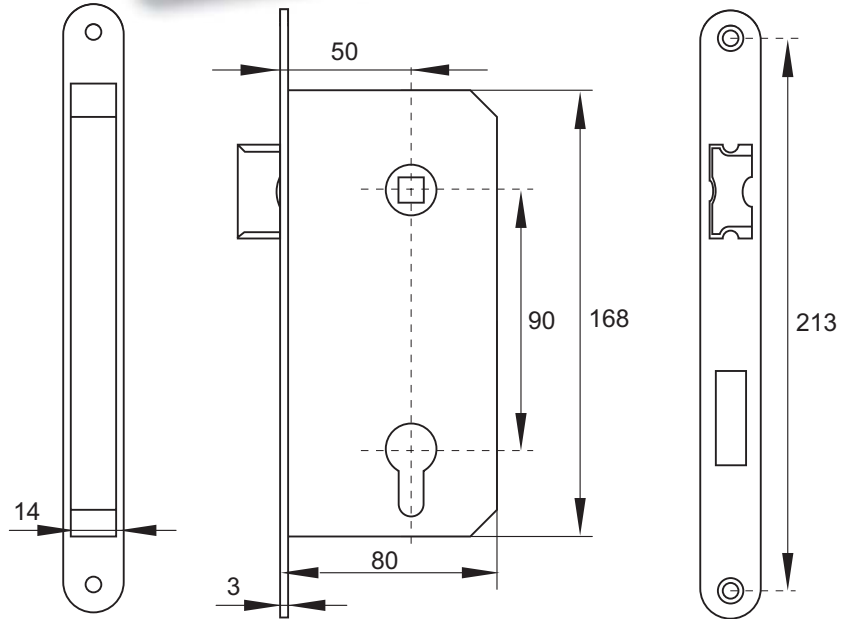
MORTISE LOCK No. 9045

50 x 90 backset, without cylinder, square hole 8 x 8 mm

Universal. Can be used on left and right hand side.

White lacquered with screw and striker

Item No.: # 14.60.053



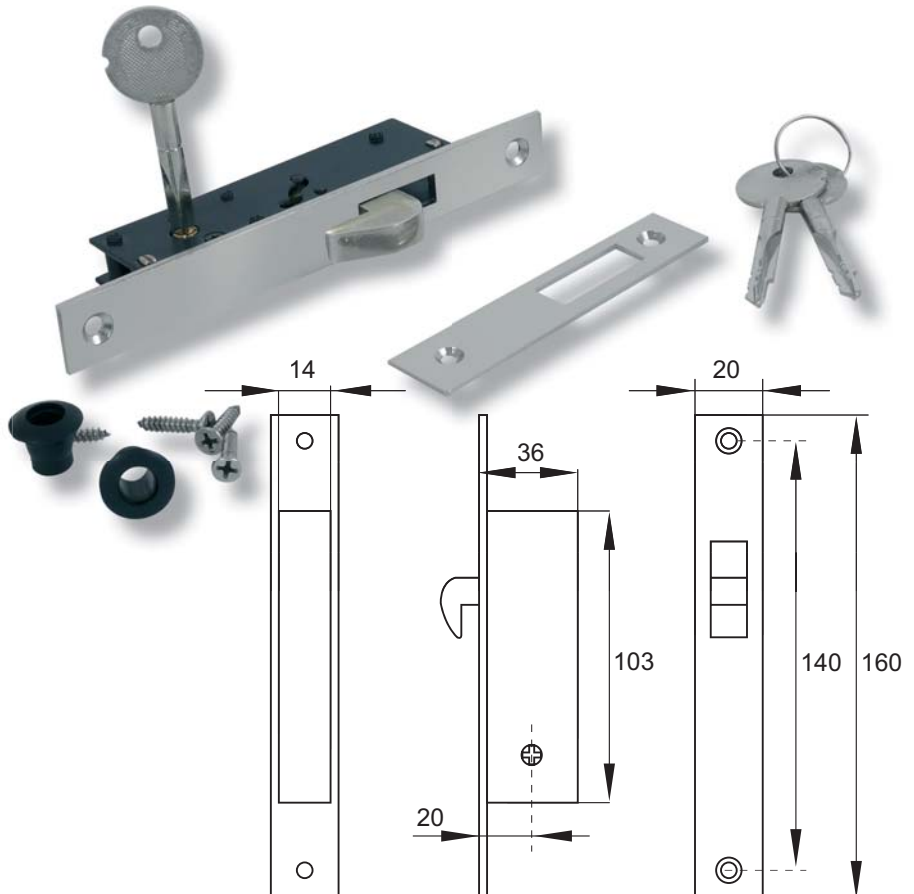
MORTISE LOCK No. 9403

With 3 keys, screws and striker

20 mm backset - mainly developed for aluminium sliding doors

Finish:
Chrome plated

Item No.:
Key alike # 14.60.049
Key different # 14.60.050

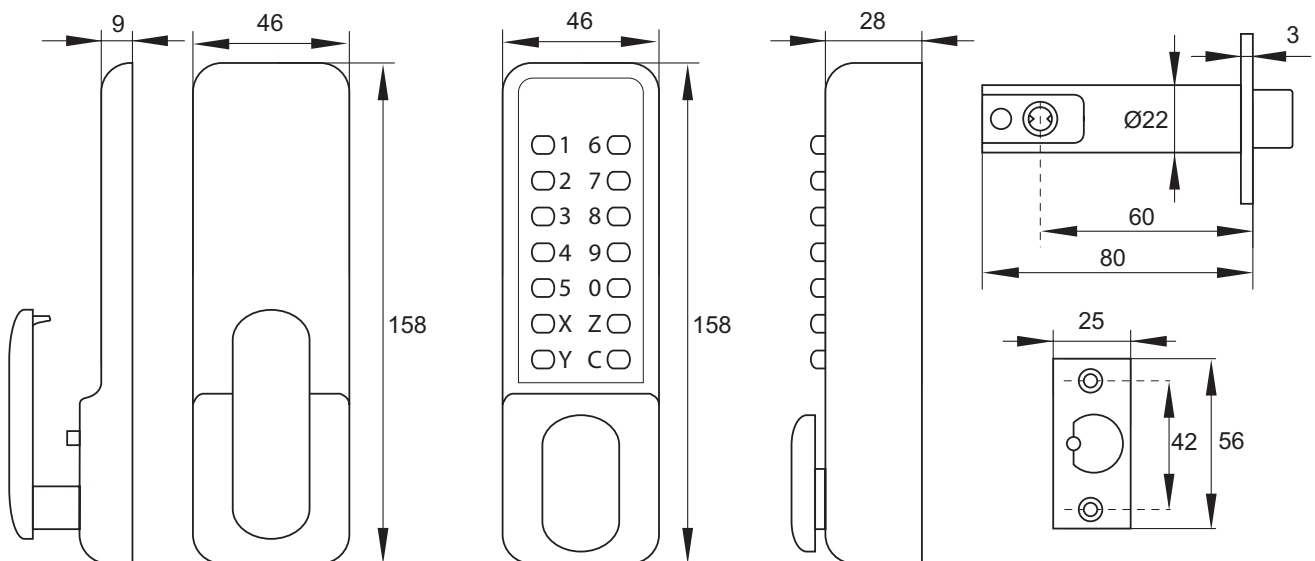


EASY CODE DIGITAL LOCK No. DL-3154

Accessories for one set:

- 1 lock case
- 1 back plate
- 2 neoprene seals
- 1 spindle
- 1 latch (60 mm standard)
- 1 striker plate
- 4 wood screws
- 1 latch support post
- 3 fixing bolt

Item No.: # 14.60.500



Function:

To open the lock turn the digits to the correct code. Then push down the red button and pull apart.

To lock the lock simply press the 2 parts together and turn the digits

Specifications:

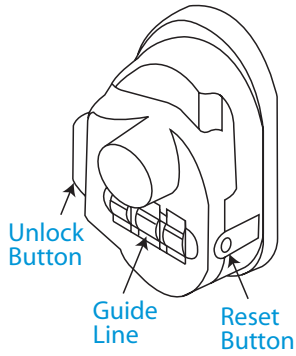
All locks are pre-coded to 0-0-0
Re-coding by pushing the reset button in with a pen while digits are in the pre-set code. While reset button is in turn the dials to the desired combination and release the reset button

Material:

Zamak

Item No:

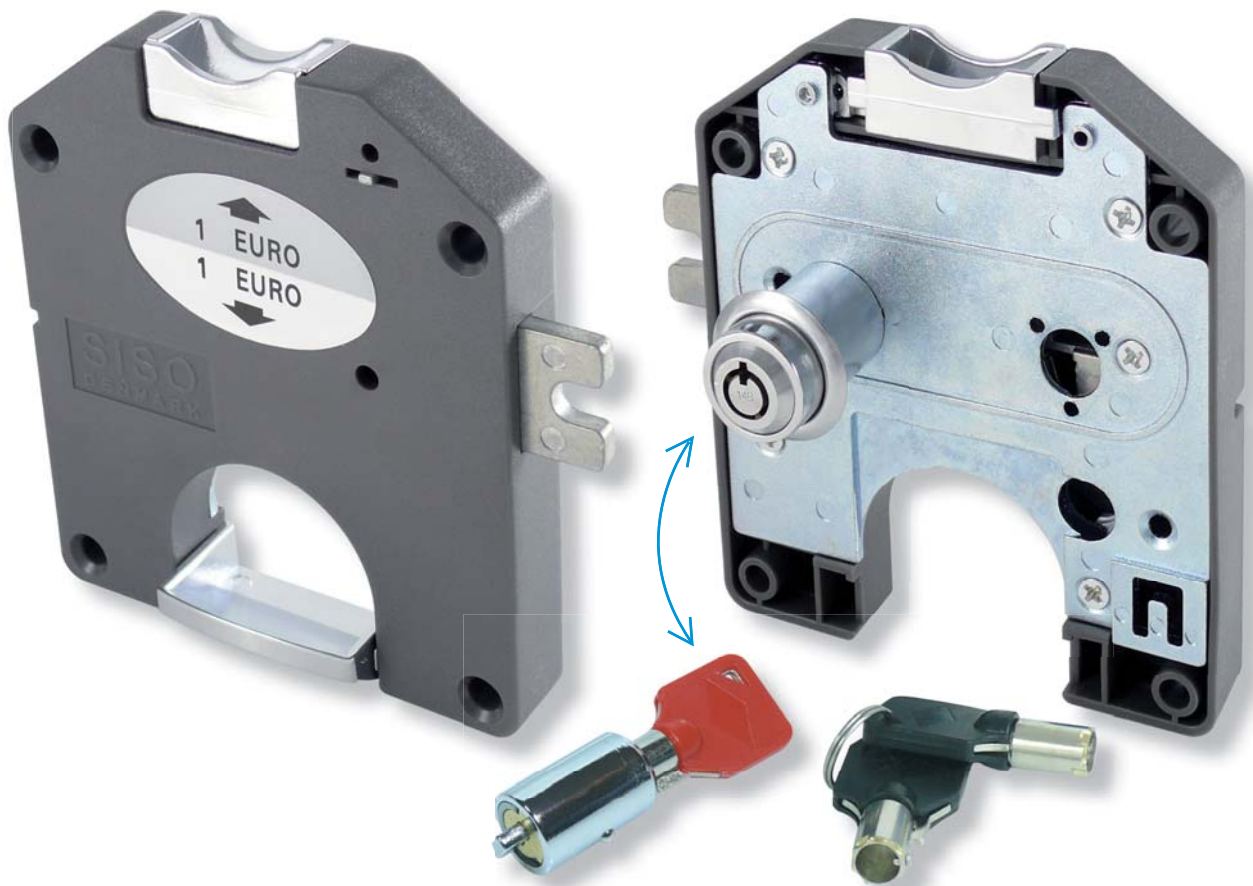
Black colour # 14.60.400
Yellow colour # 14.60.401



**ONLY FOR EXTRA SECURITY.
ALWAYS FOLLOW YOUR COUNTRY'S LOCAL LAWS !!**



COIN DEPOSIT LOCK WITH TUBULAR INTERCHANGEABLE CYLINDER



THE BEST SOLUTION FOR SAFE LOCKER STORAGE, FOR LOCKERS AT SWIMMING POOLS AND OTHER SPORT FACILITIES AND DIFFERENT CLUBS.

All components are manufactures for use in wet or exposed areas.

BLACK ABS housing – internal parts heavy duty corrosion resistant material i.e. zamak and with 7 pins solid brass cylinder.

2000 key combinations. Interchangeable barrel system operated by a red extraction key.

Version:

- 10 DKK – Denmark
- 2 PLN – Poland
- 1 EURO – Euro-countries
- 5 KUNA – Croatia
- 1 LEVA – Bulgaria
- 100 JPY – Japan
- Other coin sizes on request

Right and left version available

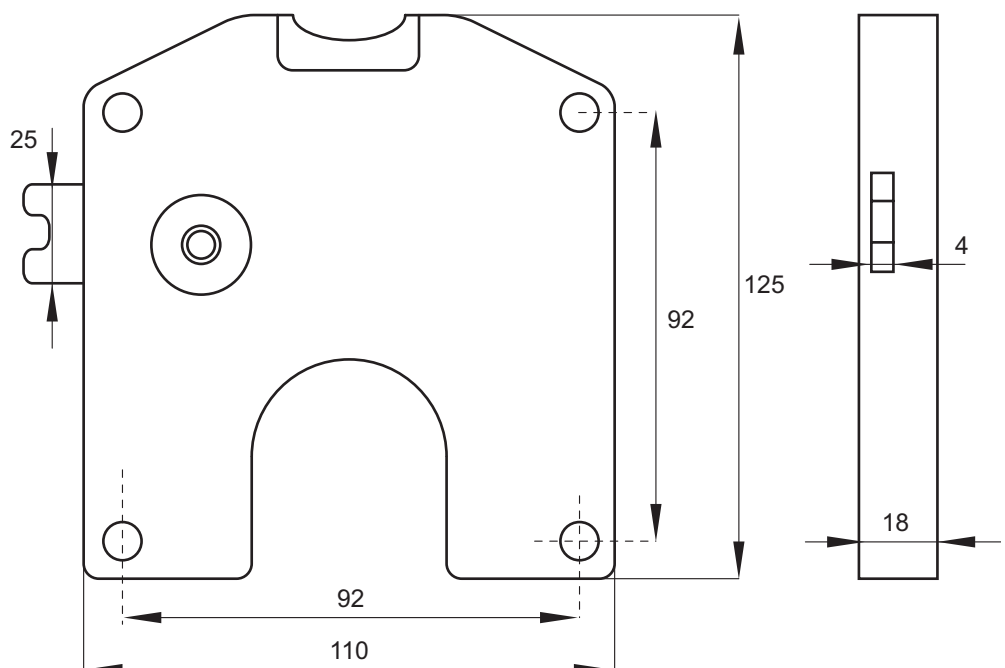
Supplied with:

- 2 keys (brass, nickelplated)
- 1 coin collecting plate

Optional accessories:

- Coin collecting box, red extraction key, bracelets

Item No.: # 14.60.246 etc.



Application:

Suitable for swim- & sauna bathing spots, golf course, Oil rigs, Enterprises, schools, hotels & super market storage cabinets

Accessories for one set:

- 1 zamak lock panel - 56,1 x 14 x 85,9 mm (W/D/H)
- 1 plastic lock housing - 45 x 29 x 118 mm (W/D/H)
- 1 metal striking plate

Specifications:

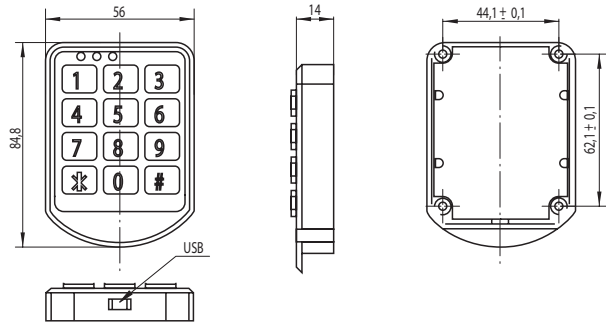
- Master code & user code
- 1 – 10 digits code
- Pre-coded as public version (temporary user code) but can be re-coded to private version (Permanent user code)
- Alarm for low power
- Power supply by DC6V (AAA1.5x4)
- Alkaline batteries
- Battery life time: Opens > 20.000 times, can still open 200 times after low power alarm
- Plug for external power supply
- Working temperature: -15 to +65 Celsius
- Working humidity: <=95 %

Item No.:

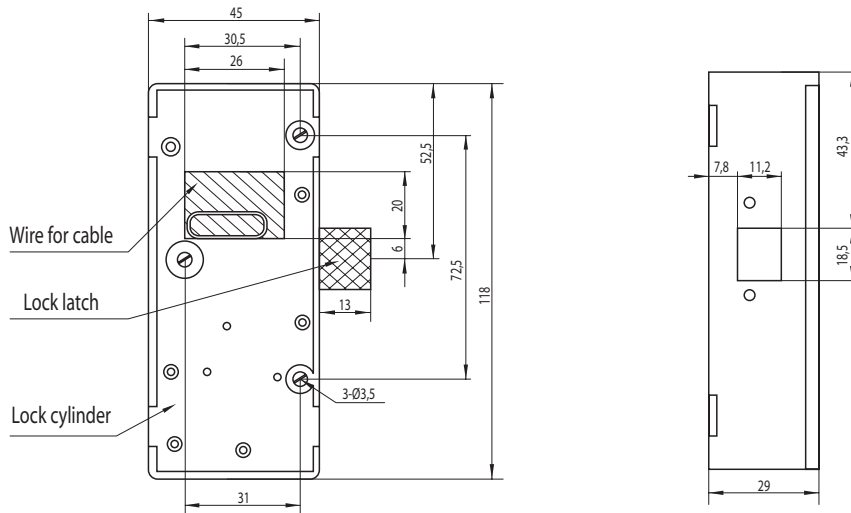
- Lock: # 14.60.322
- External battery box: # 14.60.325



External battery box



Back hole of door is Ø3,5



Application:

Suitable for swim- & sauna bathing spots, golf course, Oil rigs, Enterprises, schools, hotels & super market storage cabinets.

Accessories for one set:

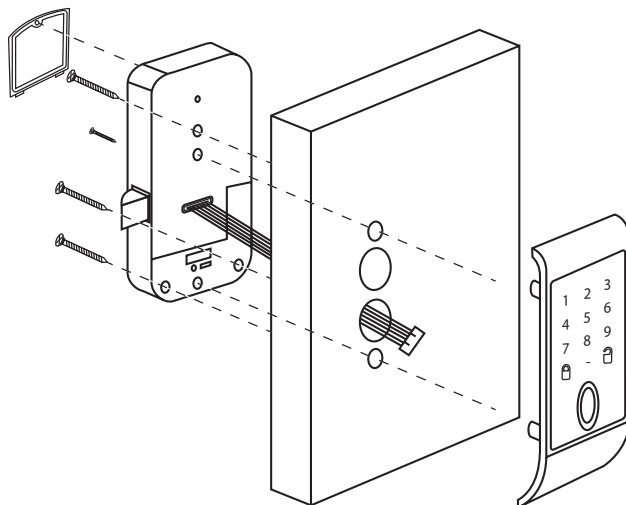
- 1 zamak keypad panel – SS-Look - 44 x 25 x 114 mm (W/D/H)
- 1 stainless steel lock housing – 65 x 21 x 132 mm (W/D/H)
- 1 black plastic spring striker w/push to open function
- 1 black plastic distance spacer for lock housing

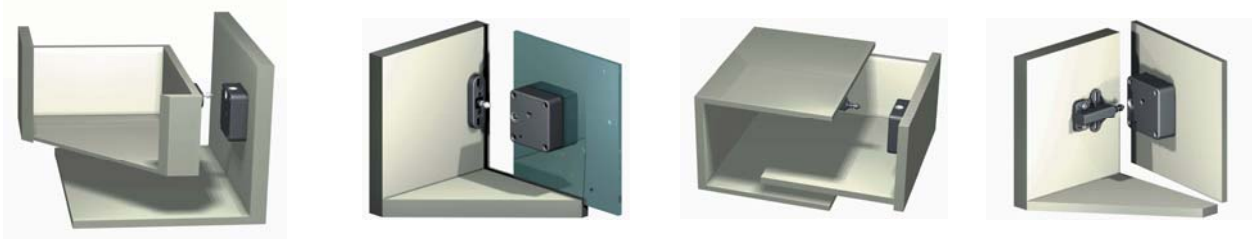
Specifications:

Public type w/temporary user code
 Operated by 1-9 digit code or by wristband w/chip,
 Master key function operated by mother wristband
 Power supply by DC6V (AAA1.5x4)
 Alkaline batteries
 Indicator & alarm for low power
 Plug for external power supply
 Working temperature: -15 to +65 Celsius.
 Working humidity: <=95 %

Item No.:

- Lock w/spring striker: # 14.60.329
- Wristband yellow: # 14.60.336-5
- Wristband blue: # 14.60.336-6
- Wristband green: # 14.60.336-7
- Wristband pink: # 14.60.336-8





Programming Instructions

Reading in of programming card

1. Press the push-button on the back [1]
2. The lock will make a ticking sound (signal). Place the programming card in contact with the lock within 3 seconds of hearing this signal.
3. Two short rising tone signals confirm that the programming card has been saved successfully.

Reading in of key card or chip key

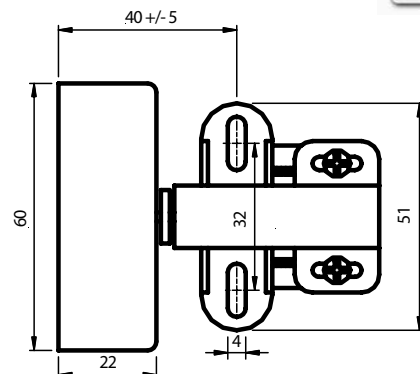
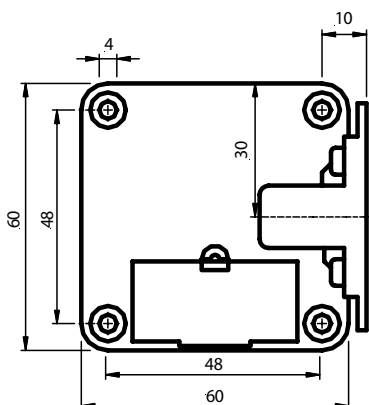
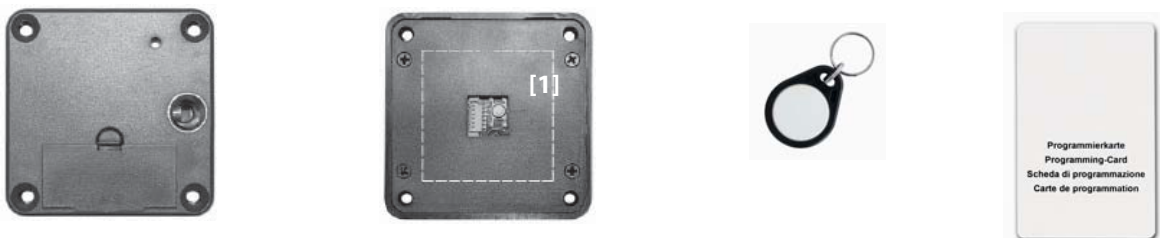
1. Please place the programming card in contact with the lock.
2. The lock will make a ticking sound (signal). Place the key card or chip key in contact with the lock within 3 seconds of hearing this signal.
3. Two short rising tone signals confirm that the reading in was successful.
4. The lock can now be opened with the key card or the chip card.




Cancelling the key card or chip key

1. Please place the programming card in contact with the lock.
2. The lock will make a ticking sound (signal). Place the key card or chip key in contact with the lock within 3 seconds of hearing this signal.
3. Two short rising tone signals confirm that the cancellation was successful.

Delete all keys

To delete all keys at once, please place the programming card for more than 5 seconds in contact with the lock.



<p>Electronic Cabinet Lock - Single. With Snap-shut function.</p> <p>Item No.: # 14.60.302</p>		<p>Lithium Battery 3 Volt</p> <p>Item No.: # 14.60.307</p>	
<p>Plastic locking device with rated breaking point</p> <p>Item No.: # 14.60.318</p>		<p>Chip Key - Standard</p> <p>Item No.: # 14.60.306</p>	
<p>Steel locking device with rated breaking point and spring</p> <p>Item No.: # 14.60.308</p>		<p>Key Card - Standard Item No.: #14.60.297-0</p> <p>Key Card - Color printed Item No.: # 14.60.297-7</p>	
<p>Zamak Spring Catch w/Push To Open function & build-in magnet, Black.</p> <p>Item No.: # 14.60.317</p>		<p>Programming card - Standard Item No.: # 14.60.305</p> <p>Programming Card - Color printed Item No.: # 14.60.305-9</p>	
<p>Frontal locking device black with rated breaking point</p> <p>Item No.: # 14.60.309</p>		<p>Chip Key with wristband</p> <p>Item No.: Red Color # 14.60.310 Black Color # 14.60.311</p>	

Flat external antenna
w/connecting cable.
1,5 Mtr. lenght

W/Plug for the panel:

Item No.: # 14.60.312-0

W/Plug for the lock:

Item No.: # 14.60.312-9

Other lenghts made to
measure. Max 1,5 Meters



Glass assembly set

to install the lock on glass.

Contains 1 panel for the lock,

1 panel for locking device

14.60.318, black folio,

screws & 2 adhesive surfaces

Item No.: # 14.60.316



Mini-rod external antenna
w/connecting cable.
1,5 Mtr.
Antenna ø12 x 40 mm

W/Plug for the panel:

Item No.: # 14.60.313-0

W/Plug for the lock:

Item No.: # 14.60.313-9

Other lenghts made to
measure. Max 1,5 Meters.



Software up-date "Lock Delay"

The lock only shuts automatically after a 7 second time
delay.

Item No.: # 14.60.304

Software update "Sound Off"

The opening, closing and programming signal
is turned off.

Item No.: # 14.60.304

Converter 3.6V DC
with connecting cable 1.5 Mtr.
lenght and plug
for connecting panel.

Item No.: # 14.60.296



Software up-date "Alarm door open"

If door is not closed after 20 seconds an alarm will go off.
Works only with locking device # 14.60.309

Item No.: # 14.60.304

Extension cable
with extra junction
for an additional lock.
Length 1.5 Mtr.

Item No.: # 14.60.295



Software up-date "Break in alarm"

If the locks is opened unauthorized an alarm sounds.
Works only with locking device # 14.60.309

Item No.: # 14.60.304

Connecting panel
with two sockets,
for external antenna
and external electricity
supply.

Item No.: # 14.60. 314



Software update "Bolting Function"

The lock only shuts when the key has been
read in a second time.

Item No.: # 14.60.304

Software update "Group Function"

All connected locks open and close together.

Item No.: # 14.60.304

A series of horizontal dotted lines spanning the width of the page, intended for handwritten notes.

A series of horizontal dotted lines spanning the width of the page, intended for handwritten notes.



- high quality furniture fittings

Item No.: 99.00.003-0 24.08.2012

SISO A/S

Mileparken 11 Phone: (+45) 45 830 900
DK - 2740 Skovlunde (Copenhagen) Fax: (+45) 45 830 444
Denmark E-mail: siso@siso.dk Web: www.siso.dk