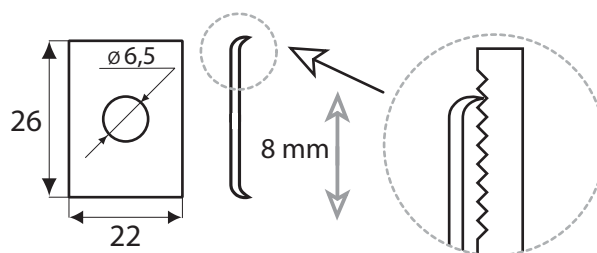
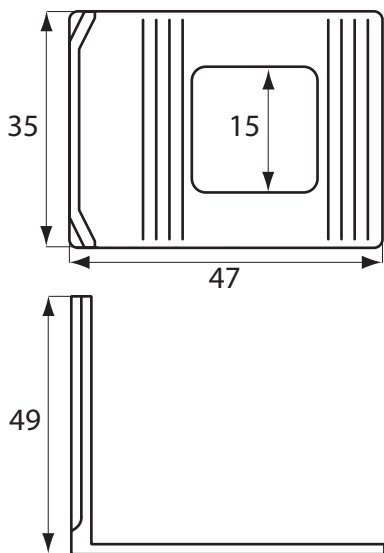
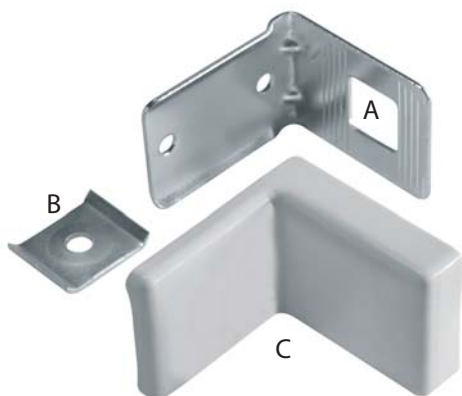


CABINET SUSPENSION FITTING "SLOV"

SISO DENMARK



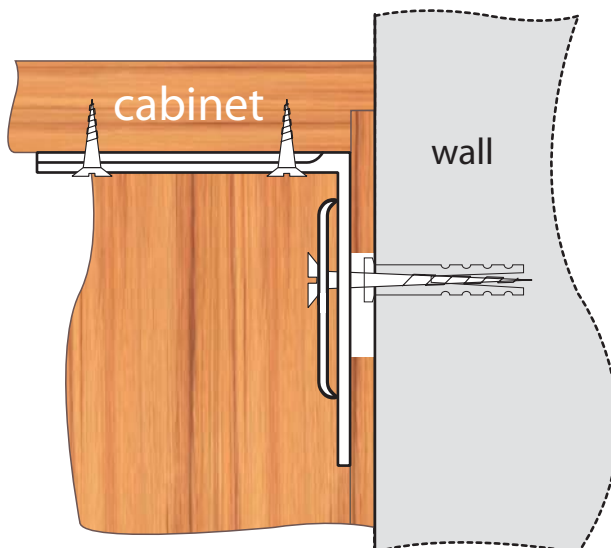
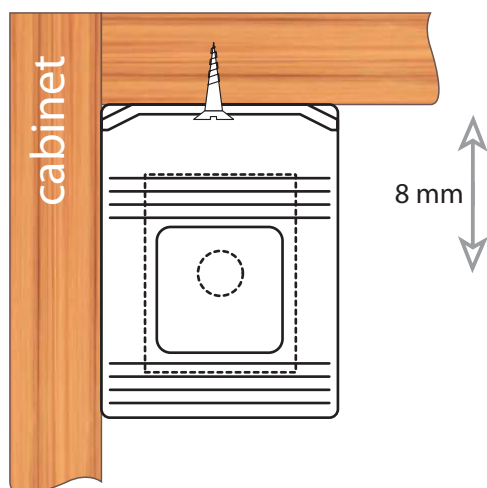
Material:

- Steel zinc plated
- Cover cap plastic

- # 22.08.005 White
- # 22.08.006 Brown
- # 22.08.007 Beech colour
- # 22.08.008 Oak colour
- # 22.08.009 Cherry colour

Mounting instruction:

- Fasten part "A" to the top corners of the cabinet
- Mark on the wall the point for drilling inside the square hole "A"
- Place the cabinet onto the wall with square hole of part "A" over the screw hole in the wall
- Insert the screw into part "B" and tighten the wall screw
- Hide part "A" & "B" with the plastic cover cap



furniture fittings