

Table

SLIDES

& Accessories



- high quality furniture fittings





- high quality furniture fittings

SISIO A/S
MILEPARKEN 11
DK - 2740 SKOVLUNDE
(COPENHAGEN)
DENMARK
PHONE: (+45) 45 830 900
FAX: (+45) 45 830 444

DISTRIBUTOR

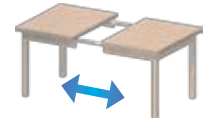
CONTENTS

TABLE SLIDES

Page

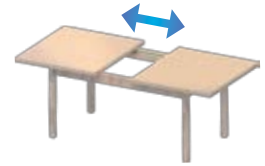
SPLIT FRAME
WHERE THE FRAME & LEGS MOVE

01-02



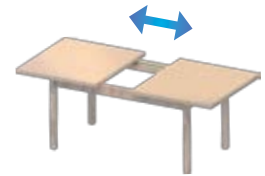
TOP SLIDE »9097«
WHERE THE TABLE TOP MOVES

03-04



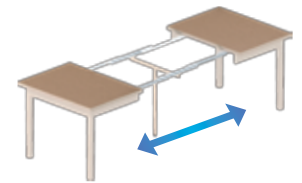
SYNCHRONIC SLIDE
WHERE THE TABLE TOP MOVES SYNCHRONOUSLY

05-06



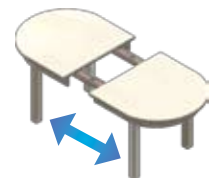
SPLIT FRAME »X-TRA LONG«
FOR EXTRA LONG TABLE INSERTS

07-08



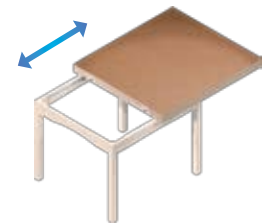
WOOD SLIDE »SPLIT«
WITH WORM GEAR FOR EASY OPENING

09



»9096« FOR FOLDED TABLE TOPS
WHERE THE TABLE PLATES ARE FOLDED AS A BOOK

10

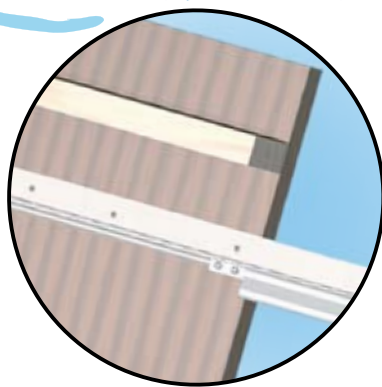


ACCESSORIES*

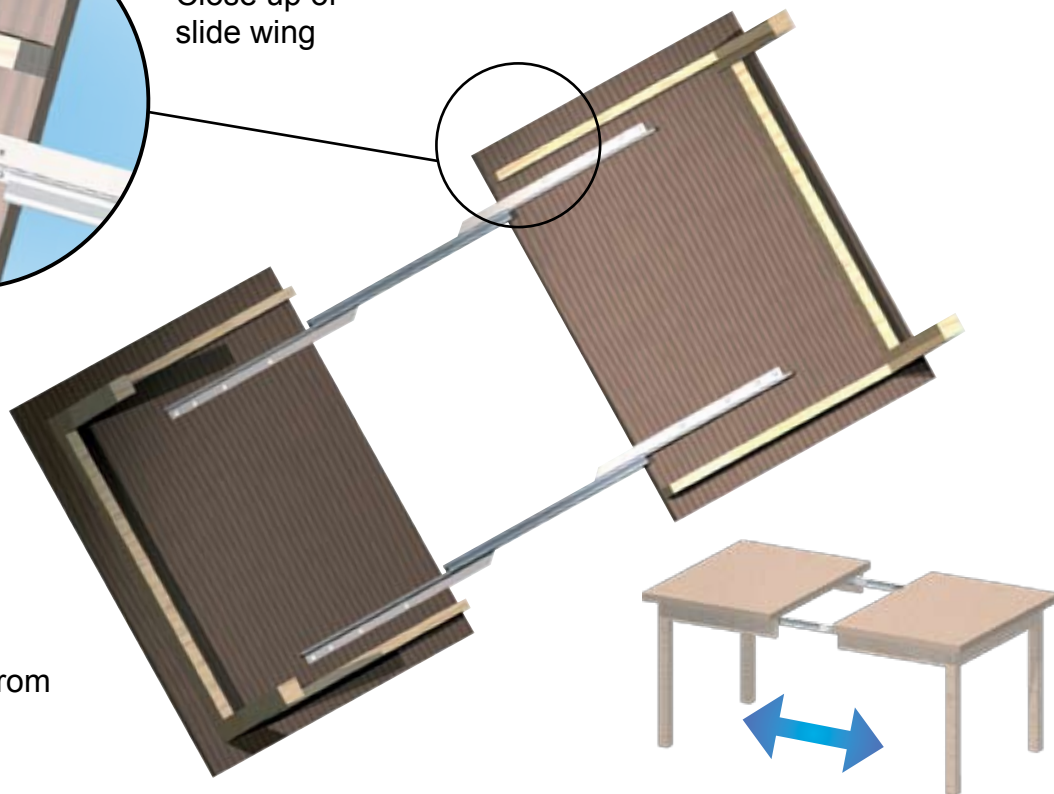
11

***Se content for accessories at page 12**

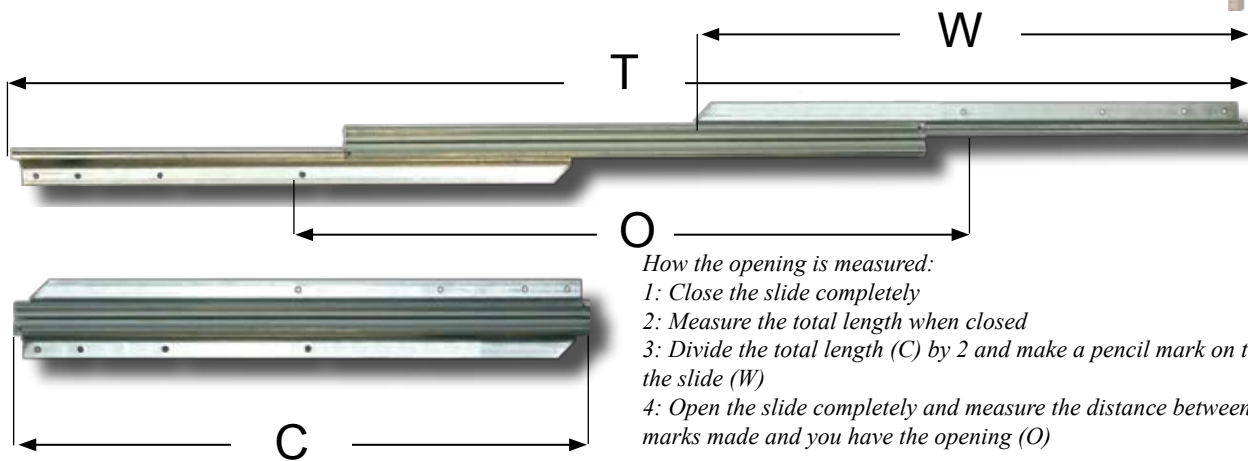
SPLIT FRAME »BUDGET«



Close up of slide wing

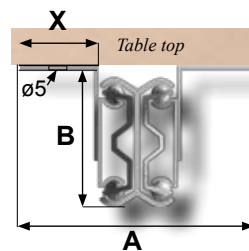


Right: Table shown from bottom



How the opening is measured:
 1: Close the slide completely
 2: Measure the total length when closed
 3: Divide the total length (C) by 2 and make a pencil mark on the wings of the slide (W)
 4: Open the slide completely and measure the distance between the pencil marks made and you have the opening (O)

In mm	Model Split »Budget« Steel - Zinc Plated				
Opening (O)	530	630	870	950	1080
Closed Length (C)	400	530	610	680	800
Total Length (T)	850	1100	1440	1610	1770
Wing Size (W)	350	500	580	650	750
Slide Width (A)	85	85	85	85	85
Slide Height (B)	41	41	41	41	41
Wing Width (X)	22	22	22	22	22
Load Capacity	60 kg.	60 kg.	80 kg.	80 kg.	80 kg.
Item No.:	24.01.005	24.01.007	24.01.023	24.01.033	24.02.043



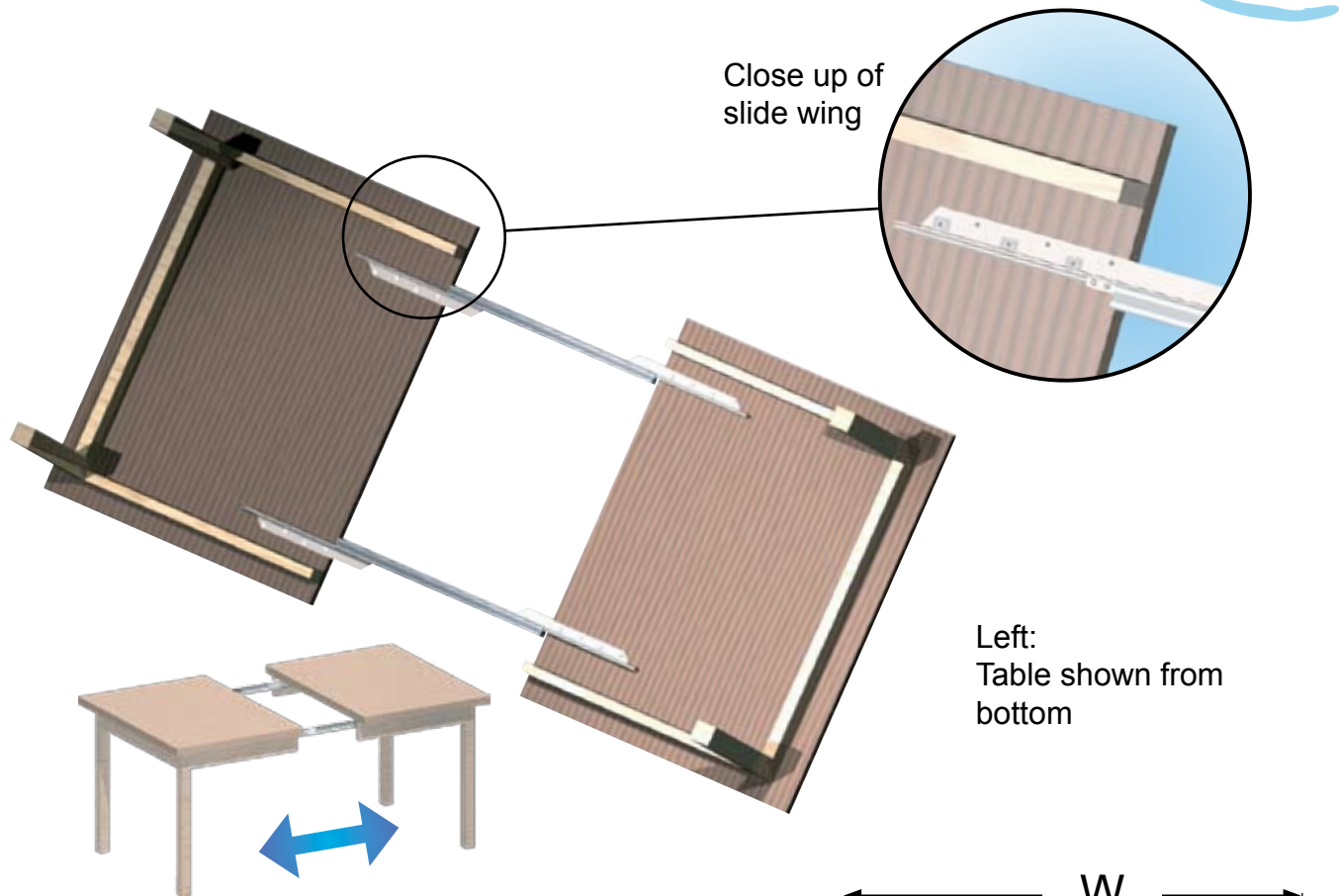
** Illustration only for measurement use*

Other sizes on request

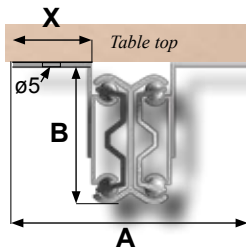
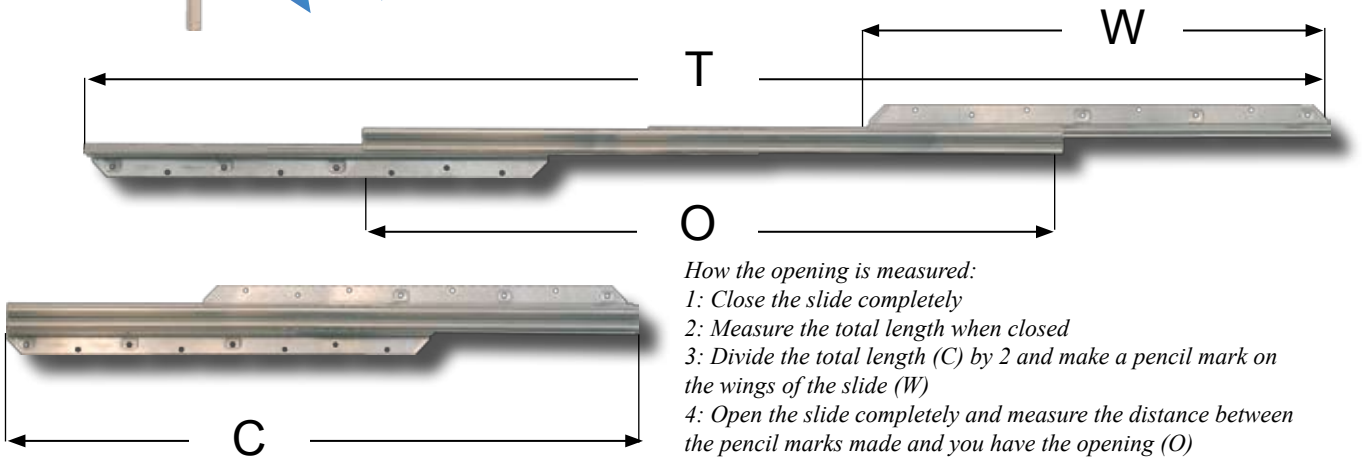
SPLIT FRAME »STANDARD«

- high quality furniture fittings

SISO DENMARK



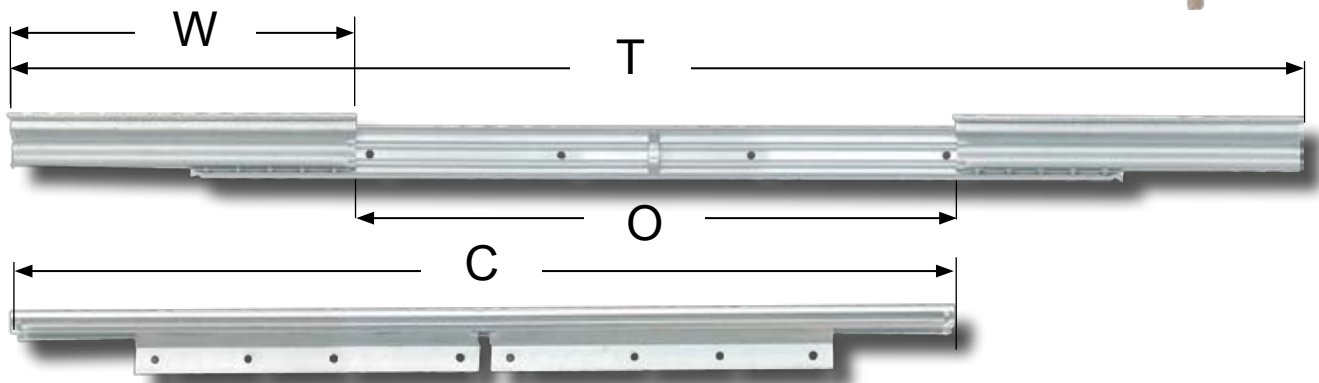
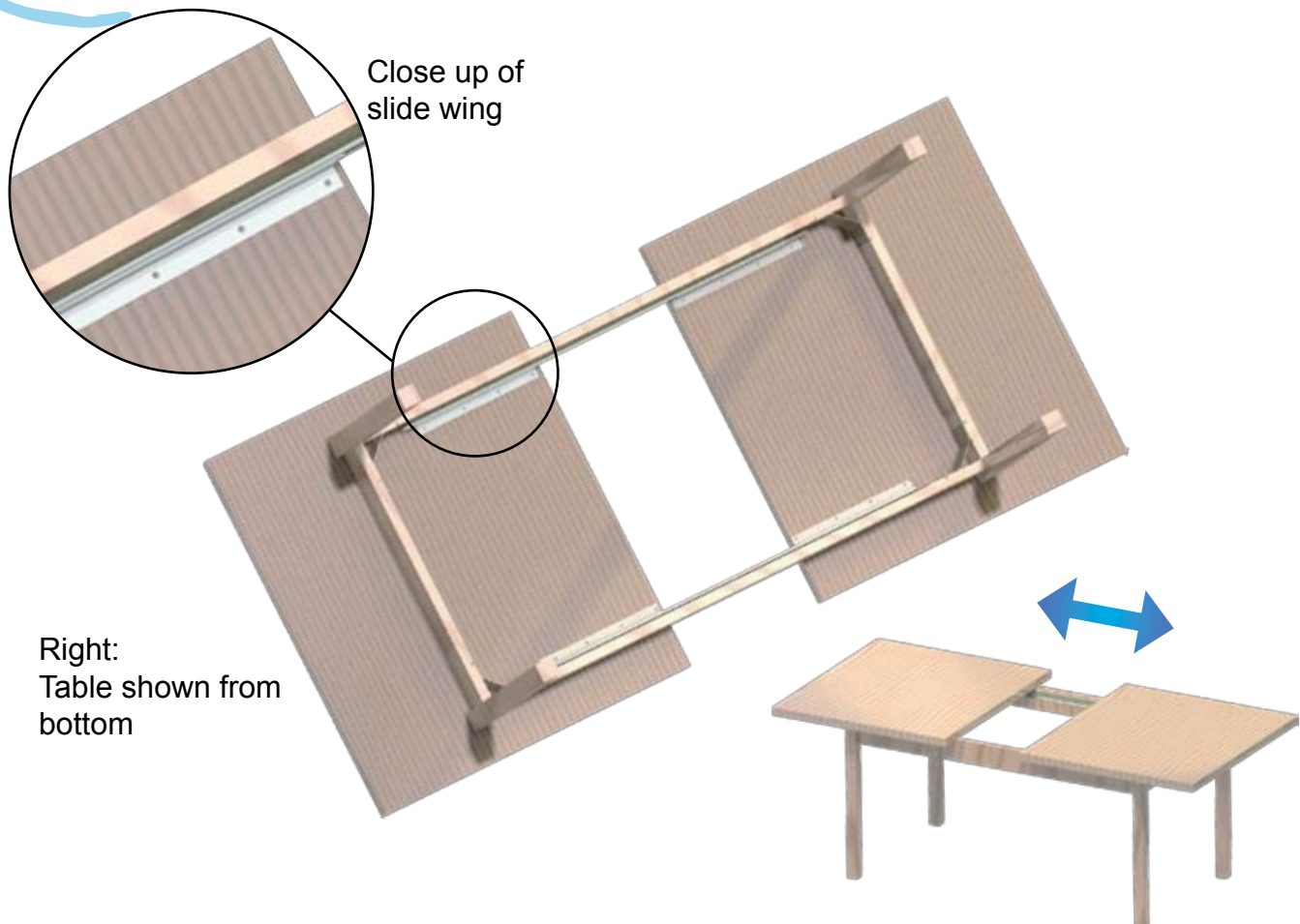
Left:
Table shown from
bottom



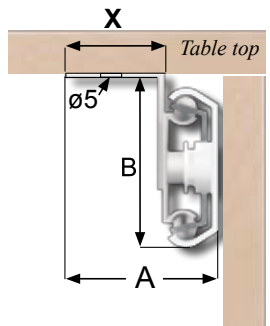
* Illustration only
for measurement use

In mm	Model Split »Standard« Steel - Zinc Plated or Stainless Steel				
Opening (O)	530	640	850	950	1050
Closed Length (C)	660	450	560	660	740
Total Length (T)	1090	1090	1420	1620	1860
Wing Size (W)	550	370	550	550	650
Slide Width (A)	57	70	72	72	72
Slide Height (B)	40	40	50	50	50
Wing Width (X)	22	22	22	22	22
Load Capacity	70 kg.	70 kg.	90 kg.	90 kg.	90 kg.
Item No.:	24.01.006	24.01.013	24.01.019	24.01.029	24.01.042

Other sizes on request



In mm	Model Top Slide 9097 »Budget« Steel - Zinc Plated					
Opening (O)	430	480	530	590	630	1020
Closed Length (C)	600	650	700	750	800	1300
Total Length (T)	880	990	1040	1110	1160	1860
Wing Size (W)	220	246	246	260	260	420
Slide Width (A)	41	41	41	41	41	41
Slide Height (B)	40	40	40	40	40	40
Wing Width (X)	21	21	21	21	21	21
Load Capacity	45 kg.	45 kg.	45 kg.	45 kg.	45 kg.	45 kg.
Item No.:	24.05.013	24.05.024	24.05.037	24.05.044	24.05.051	24.05.085

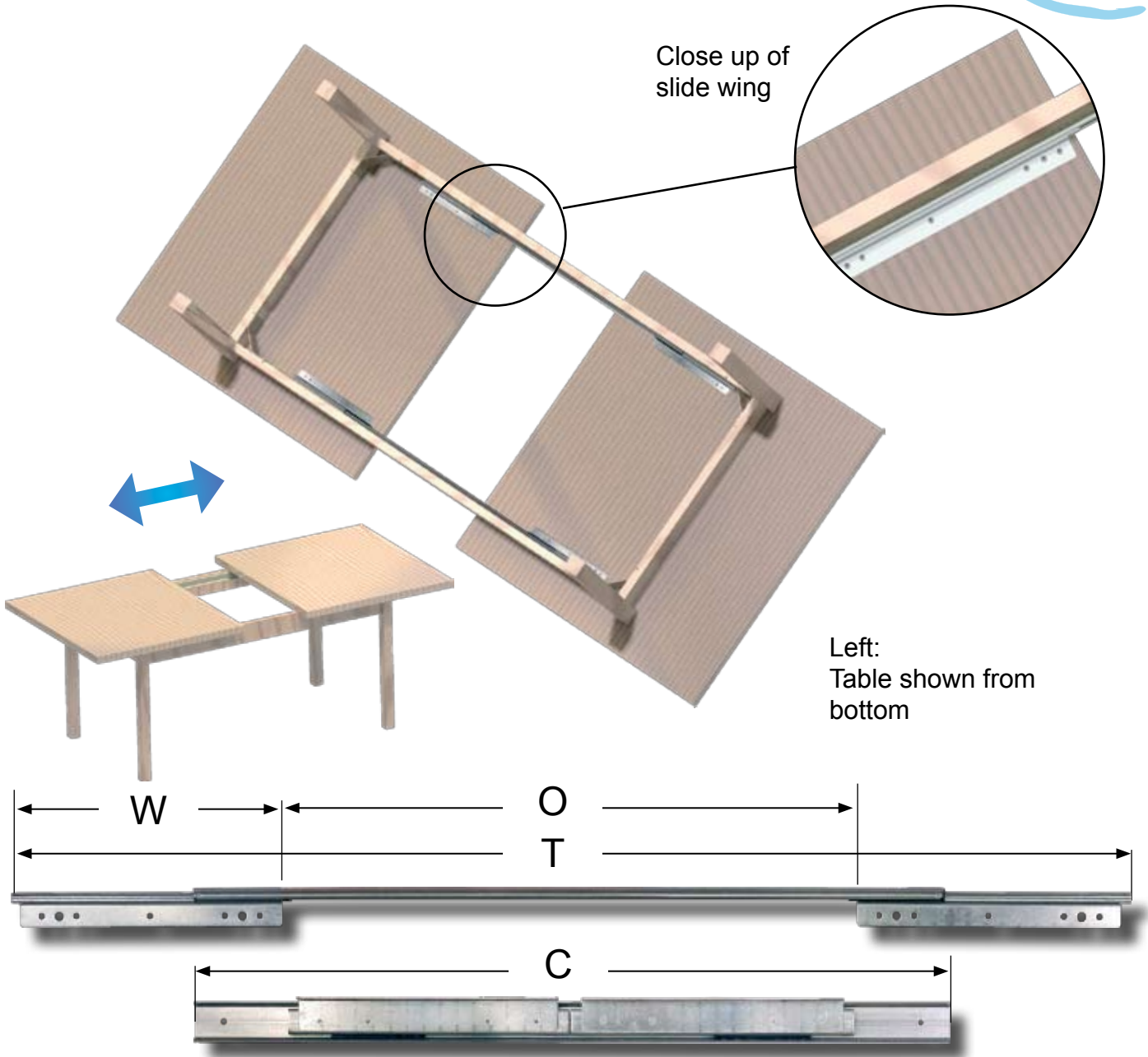


* Illustration only for measurement use

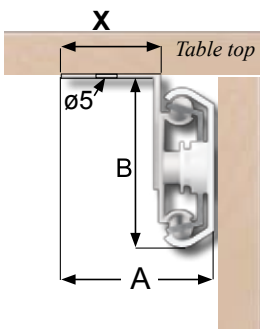
Other sizes on request

TOP SLIDE 9097 »STANDARD«

- high quality furniture fittings



Left:
Table shown from
bottom

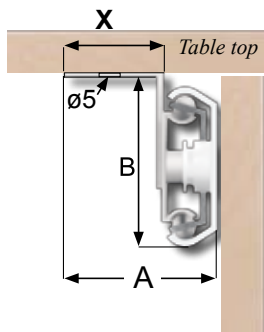
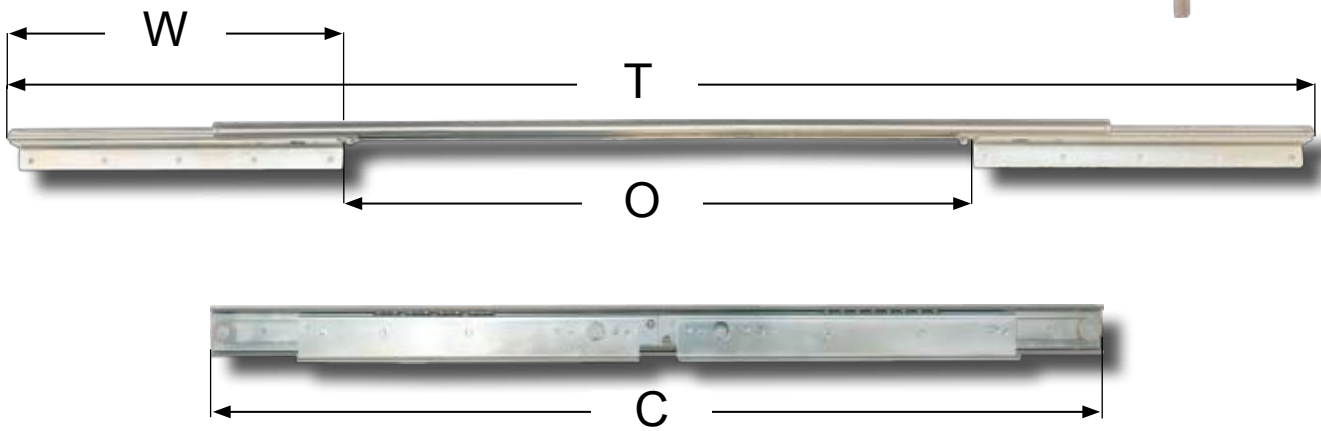
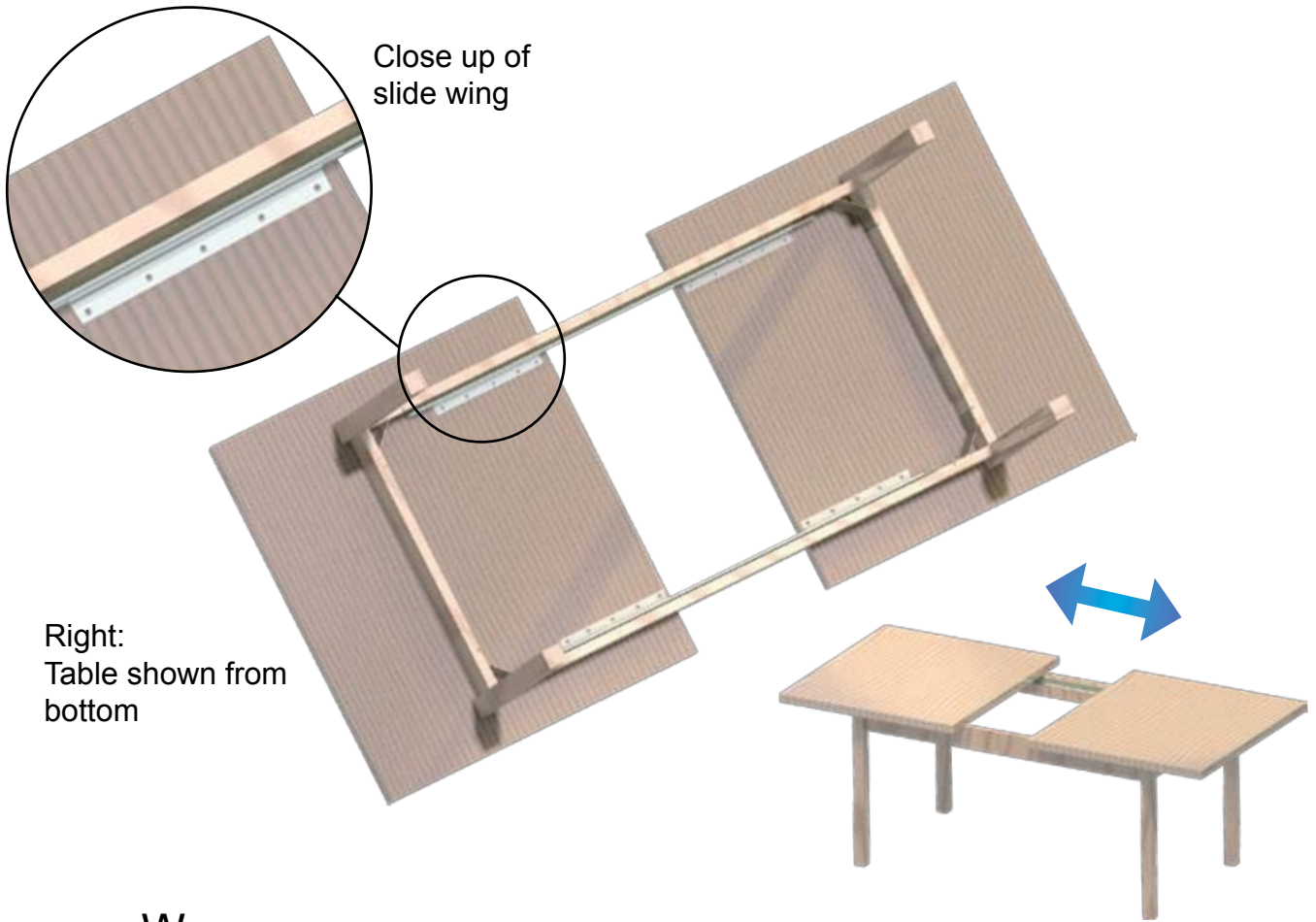


* Illustration only
for measurement use

In mm	Model Top Slide 9097 »Standard« Steel - Zinc Plated or Stainless Steel					
Opening (O)	420	470	520	570	620	1020
Closed Length (C)	610	650	700	750	800	1250
Total Length (T)	950	990	1040	1090	1220	1830
Wing Size (W)	240	240	240	240	280	370
Slide Width (A)	35	35	35	35	35	36
Slide Height (B)	40	40	40	40	40	50
Wing Width (X)	22	22	22	22	22	22
Load Capacity	60 kg.	60 kg.	60 kg.	60 kg.	60 kg.	90 kg.
Item No.:	24.05.012	24.05.023	24.05.033	24.05.043	24.05.048	24.05.086

Other sizes on request

SYNCHRONIC SLIDE »BUDGET«



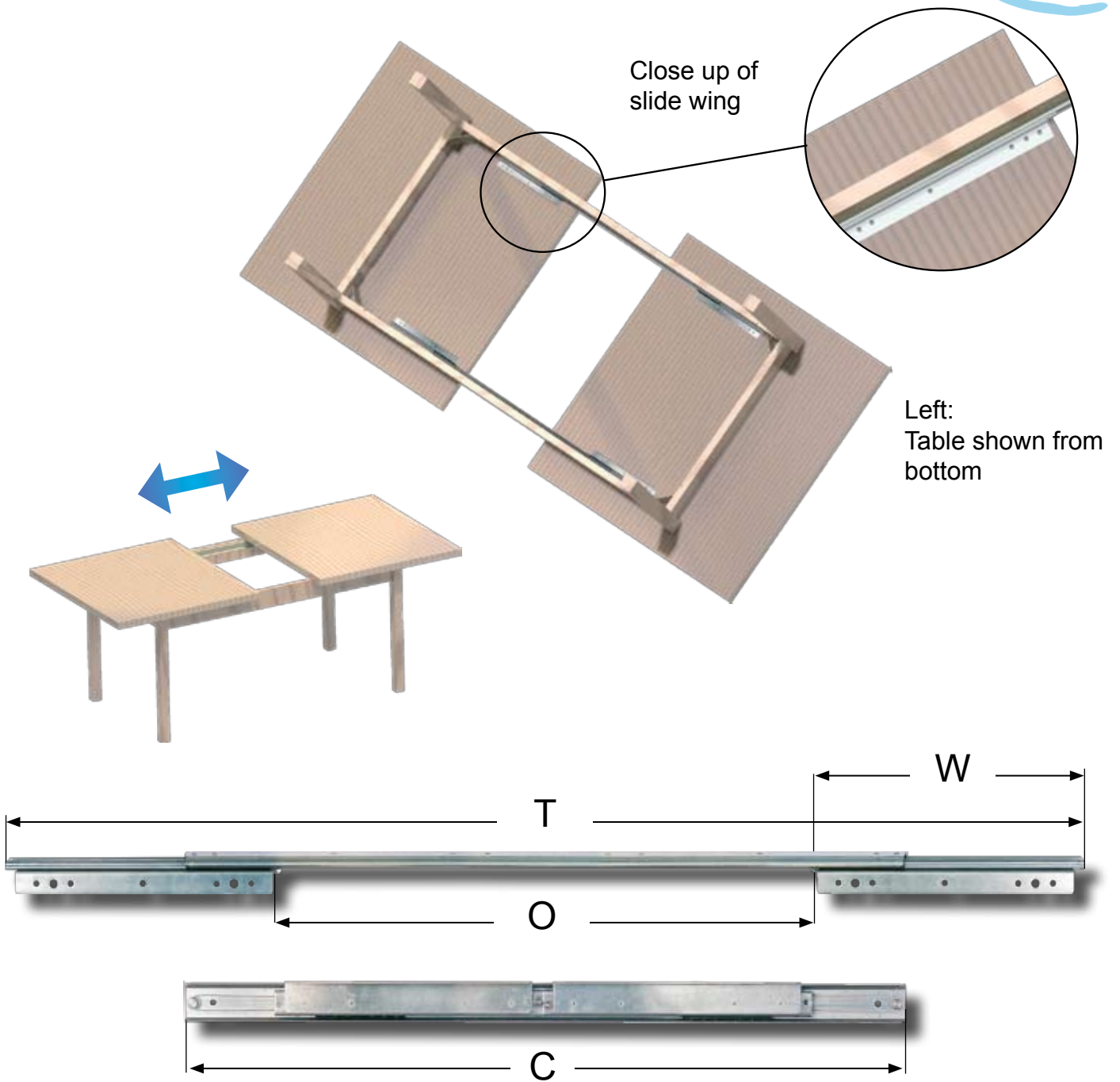
** Illustration only for measurement use*

Other sizes on request

In mm	Model Synchronic »Budget« Steel - Zinc Plated					
Opening (O)	420	470	518	570	631	1020
Closed Length (C)	627	675	725	777	838	1227
Total Length (T)	1003	1051	1101	1153	1214	1859
Wing Size (W)	276	276	276	276	276	404
Slide Width (A)	34	34	34	34	34	34
Slide Height (B)	43	43	43	43	43	43
Wing Width (X)	21	21	21	21	21	21
Load Capacity	45 kg.	45 kg.	45 kg.	45 kg.	45 kg.	45 kg.
Item No.:	24.03.530	24.03.543	24.03.547	24.03.548	24.03.551	24.03.560

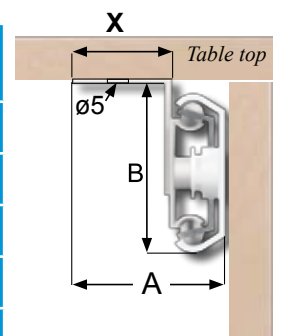
SYNCHRONIC SLIDE »STANDARD«

- high quality furniture fittings



Left:
Table shown from
bottom

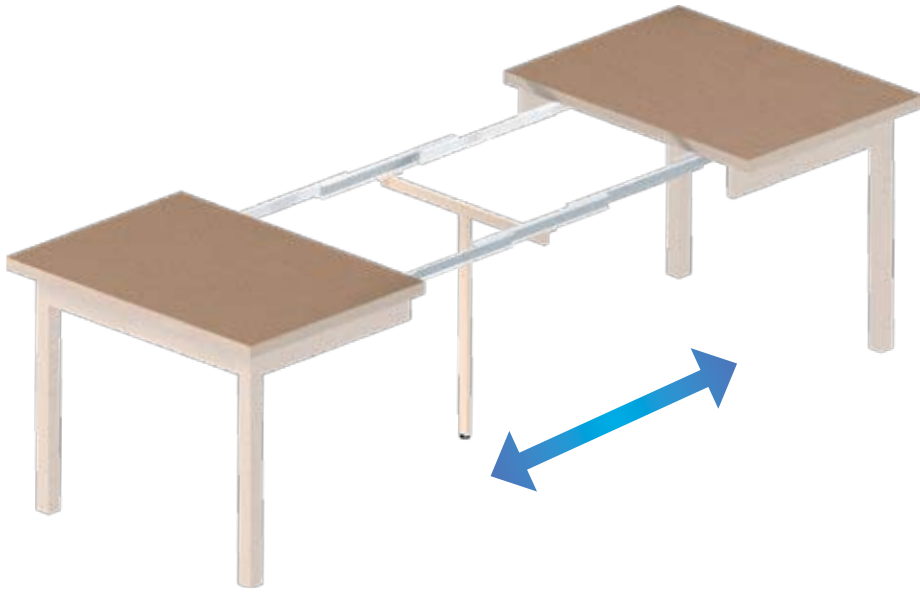
In mm	Model Synchronic »Standard« Steel - Zinc Plated or Stainless Steel					
Opening (O)	420	470	520	570	620	1020
Closed Length (C)	610	650	700	750	800	1250
Total Length (T)	950	990	1040	1090	1220	1830
Wing Size (W)	240	240	240	240	280	370
Slide Width (A)	35	35	35	35	35	36
Slide Height (B)	40	40	40	40	40	50
Wing Width (X)	22	22	22	22	22	22
Load Capacity	60 kg.	60 kg.	60 kg.	60 kg.	60 kg.	90 kg.
Item No.:	24.03.531	24.03.544	24.03.546	24.03.549	24.03.552	24.03.561



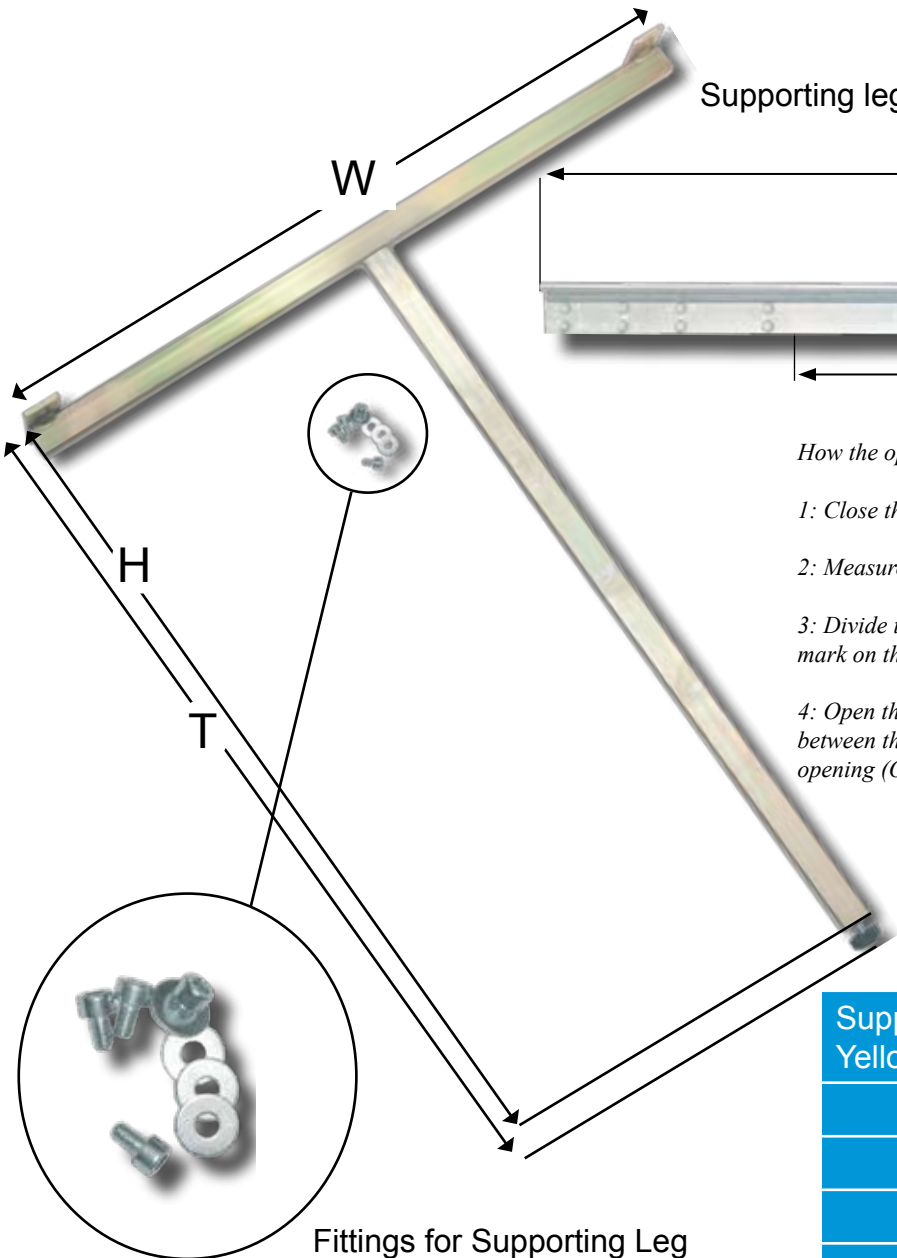
* Illustration only
for measurement use

Other sizes on request

SPLIT FRAME »X-TRA LONG«



Supporting leg for X-tra long table extension



How the opening is measured:

- 1: Close the slide completely
- 2: Measure the total length when closed
- 3: Divide the total length (C) by 2 and make a pencil mark on the wings of the slide (W)
- 4: Open the slide completely and measure the distance between the pencil marks made and you have the opening (O)

Supporting Leg Steel Yellow Zinc Plated	In mm
Width (W)	600
Height (H)	665
Total Hight (T)	680
Item No.:	24.02.216

SPLIT FRAME »X-TRA LONG«

- high quality furniture fittings

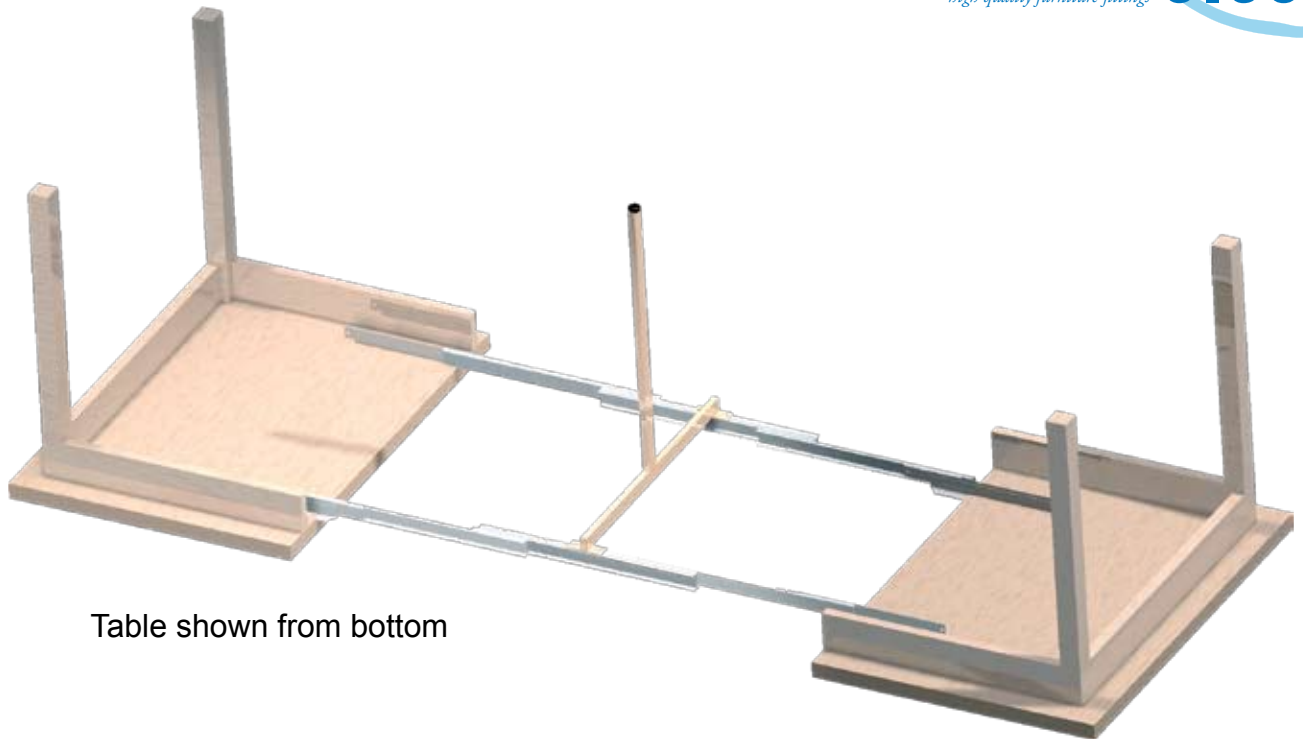
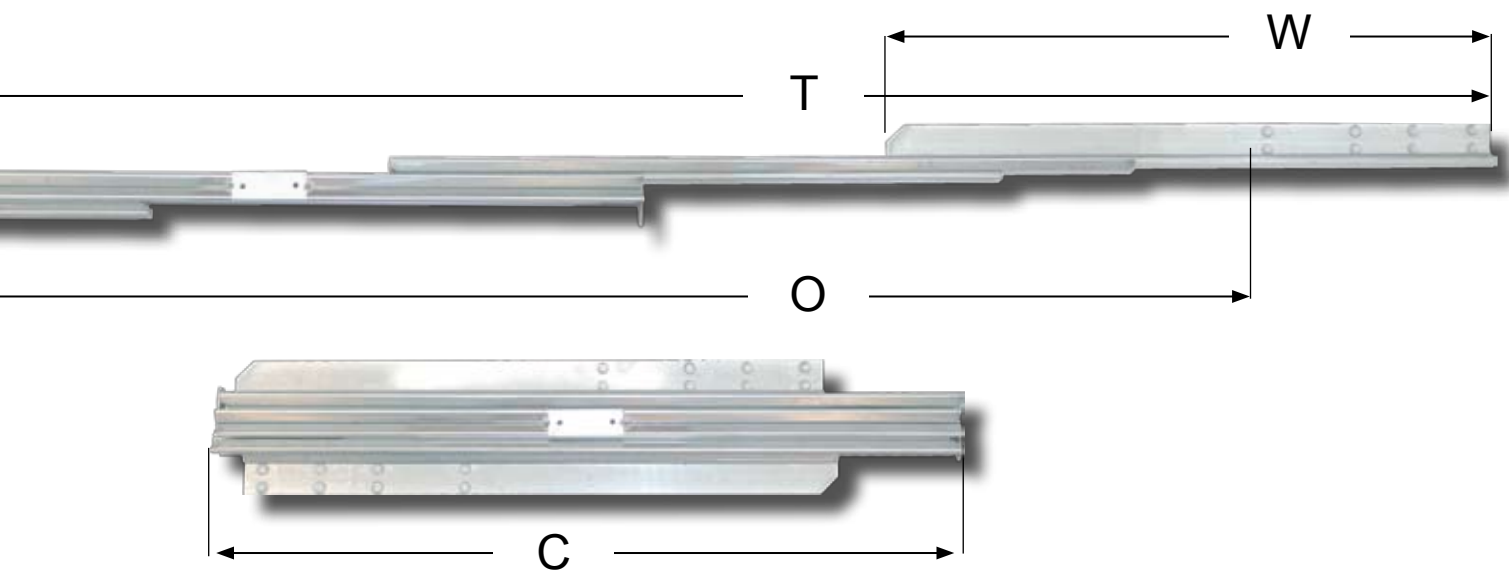
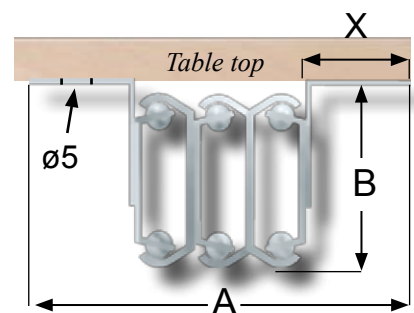


Table shown from bottom

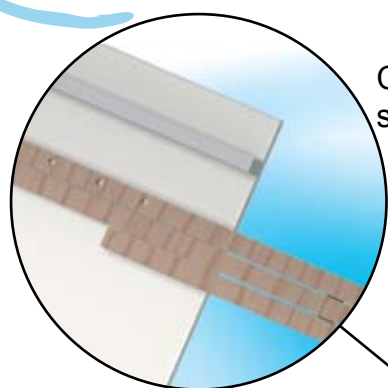


In mm	Model Split »X-tra Long« Steel - Zinc Plated
Opening (O)	2060
Closed Length (C)	805
Total Length (T)	2635
Wing Size (W)	650
Slide Width (A)	150
Slide Height (B)	40
Wing Width (X)	36
Load Capacity	70 kg.
Item No.:	24.02.215

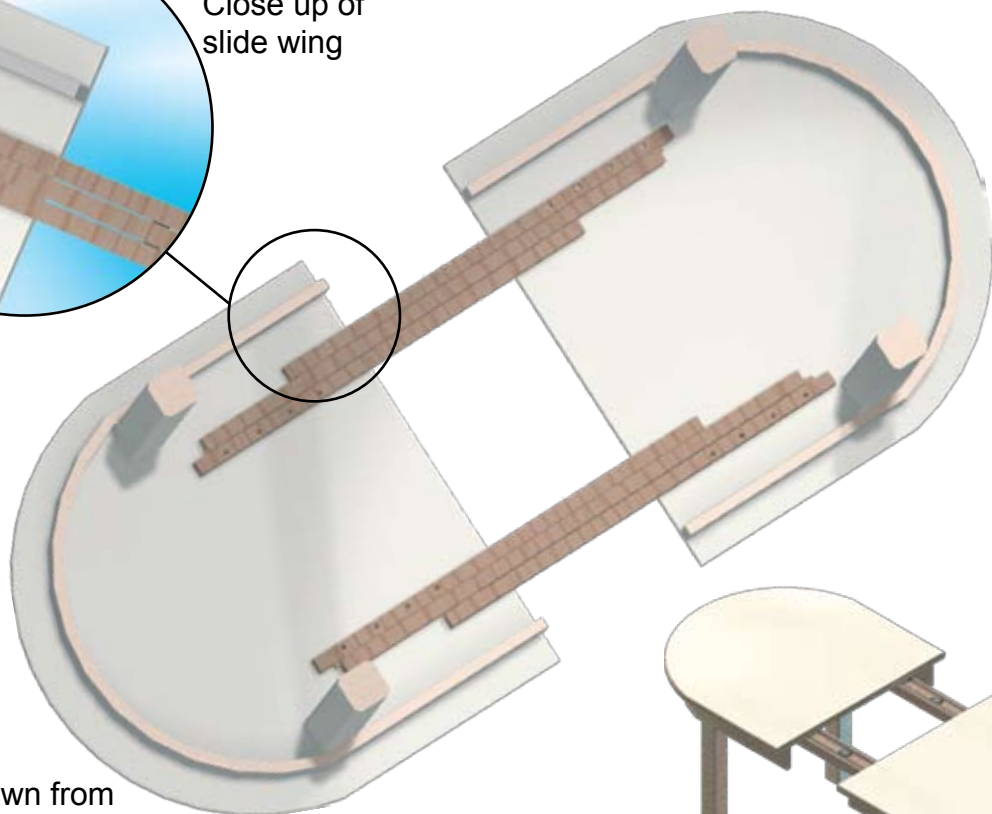


** Illustration only
for measurement use*

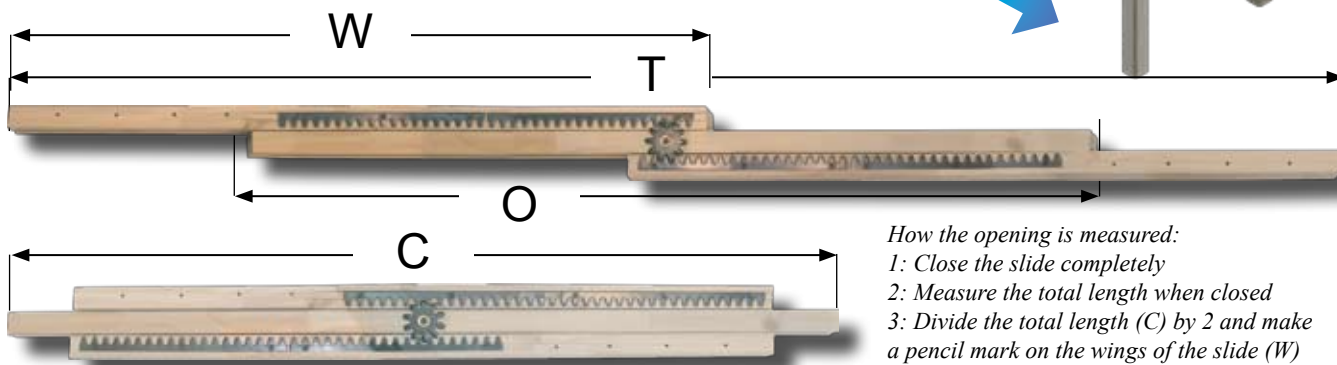
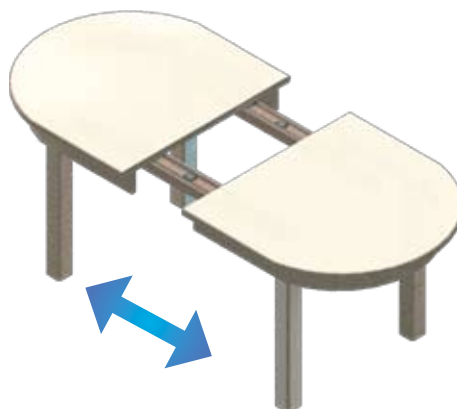
Other sizes on request



Close up of slide wing

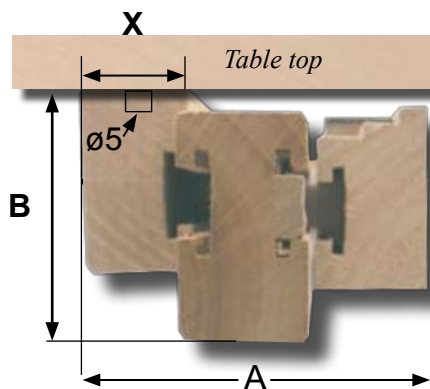


Right: Table shown from bottom



How the opening is measured:
 1: Close the slide completely
 2: Measure the total length when closed
 3: Divide the total length (C) by 2 and make a pencil mark on the wings of the slide (W)
 4: Open the slide completely and measure the distance between the pencil marks made and you have the opening (O)

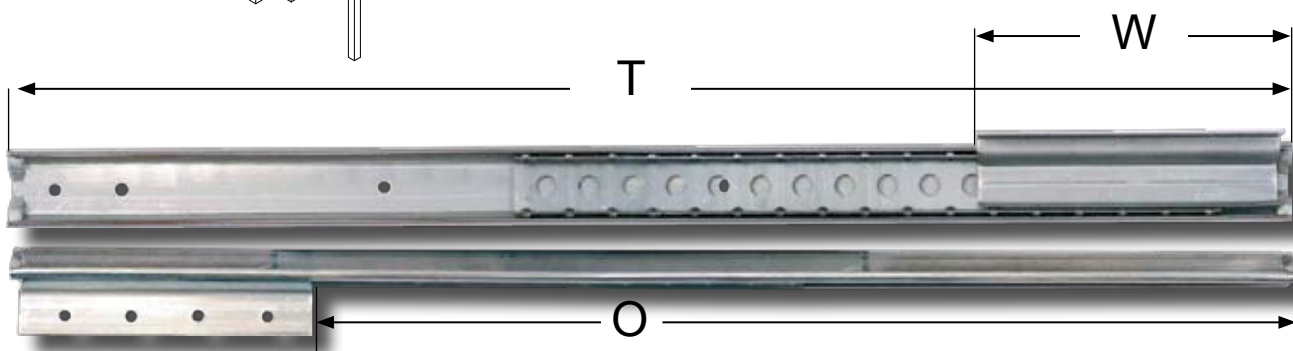
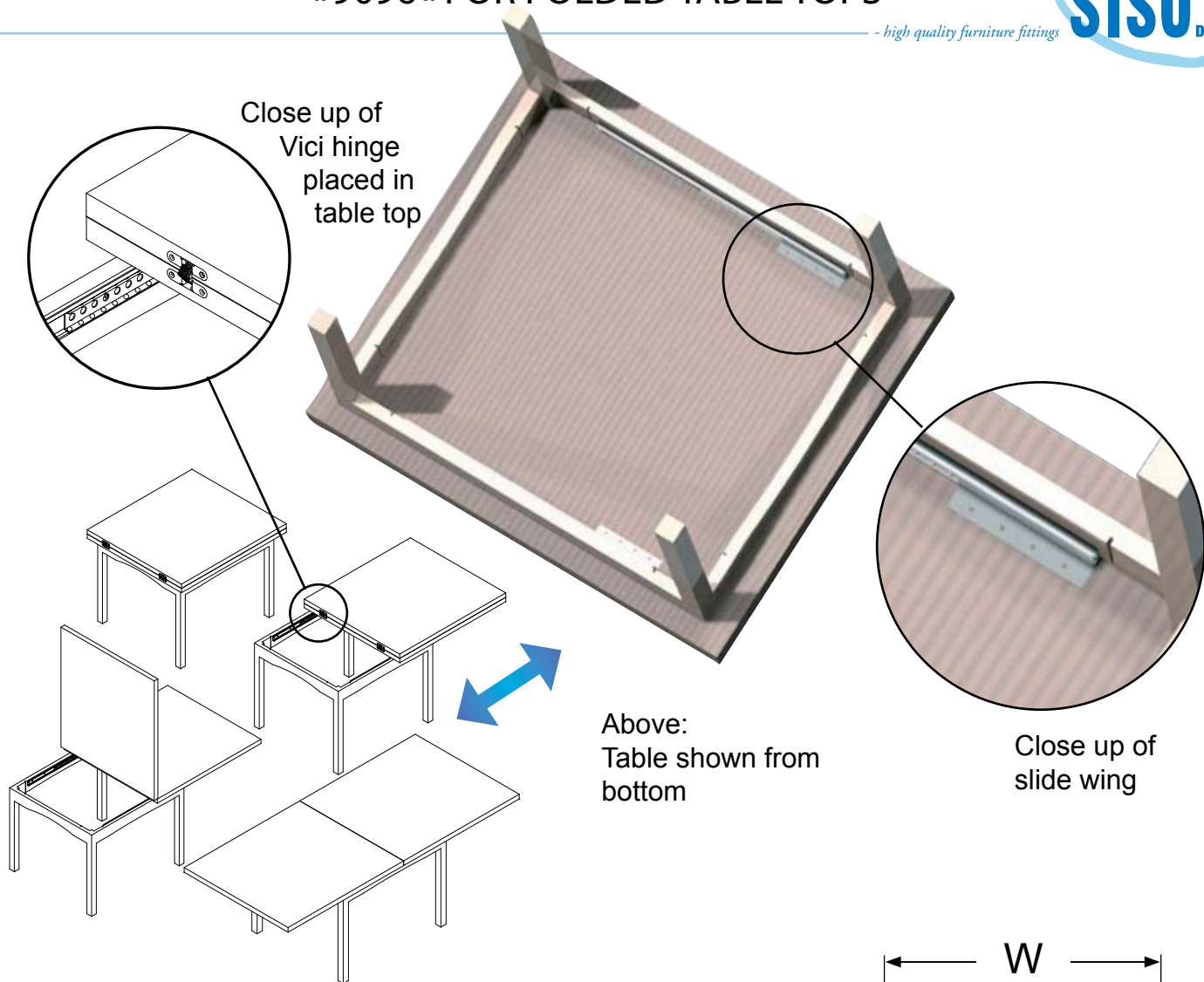
In mm	Wood Slide »Split« Durian Wood Hard Plastic Worm Gear		
Opening (O)	650	960	1035
Closed Length (C)	685	1060	1060
Total Length (T)	1340	2015	2082
Wing size (W)	683	1055	1055
Slide Width (A)	90	90	90
Slide Height (B)	60	60	60
Wing Width (X)	28	28	28
Item No.:	24.02.549	24.02.551	24.02.552



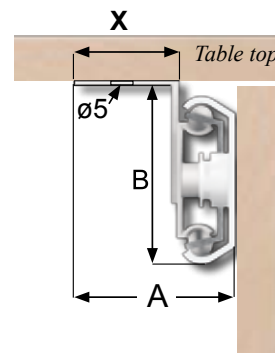
* Illustration only
for measurement use

»9096« FOR FOLDED TABLE TOPS

- high quality furniture fittings



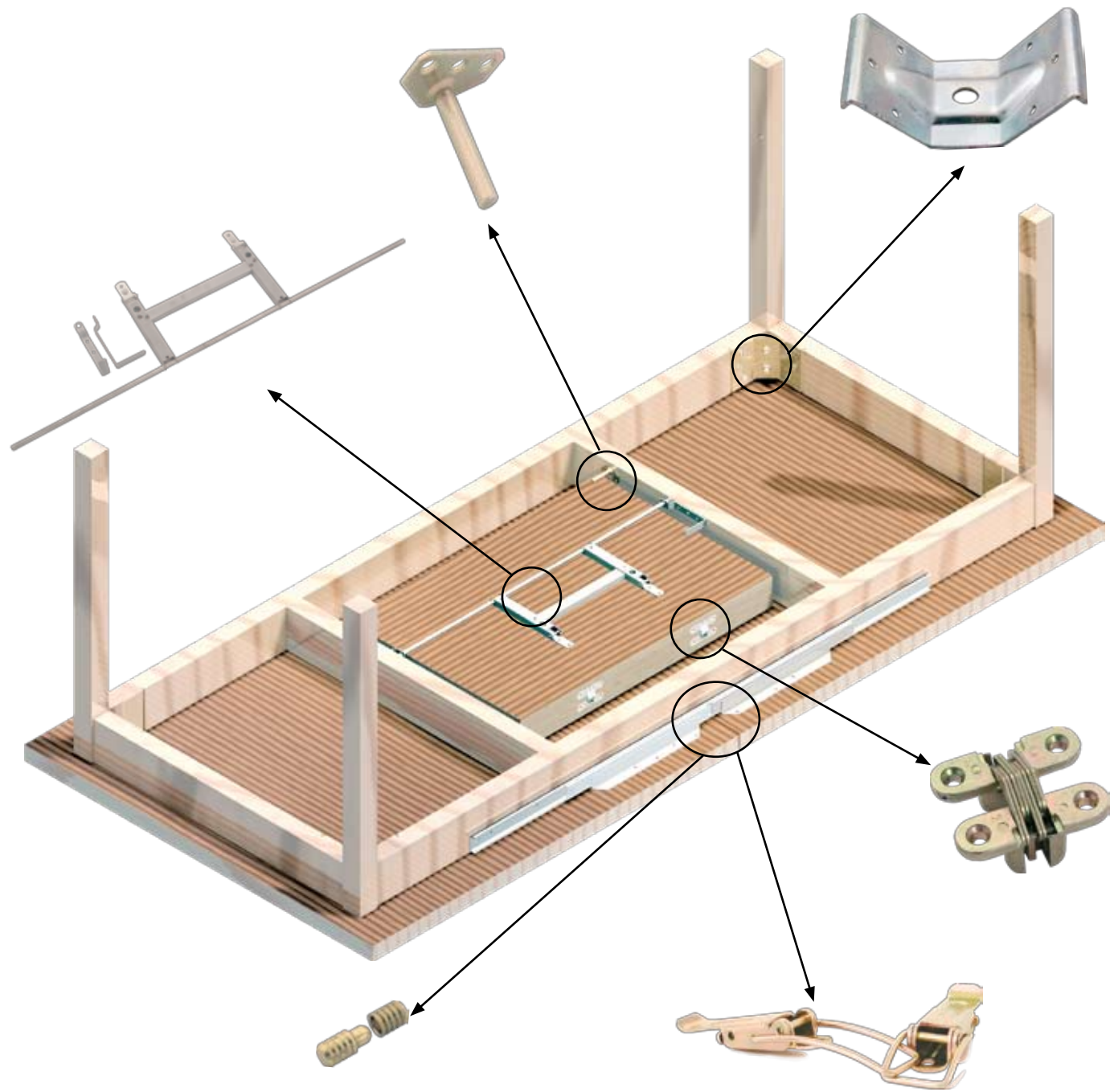
In mm	»9096« For Folded Table Tops			
Opening (O)	375	425	425	475
Total Length (T)	600	650	750	700
Wing Size (W)	220	220	320	220
Slide Width (A)	41	41	41	41
Slide Height (B)	40	40	40	40
Wing Width (X)	21	21	21	21
Load Capacity	60 kg.	60 kg.	60 kg.	60 kg.
Item No.:	24.04.010	24.04.020	24.04.030	24.04.040



* Illustration only for measurement use

Other sizes on request






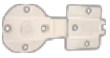





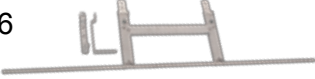






Accessories



CONTENTS

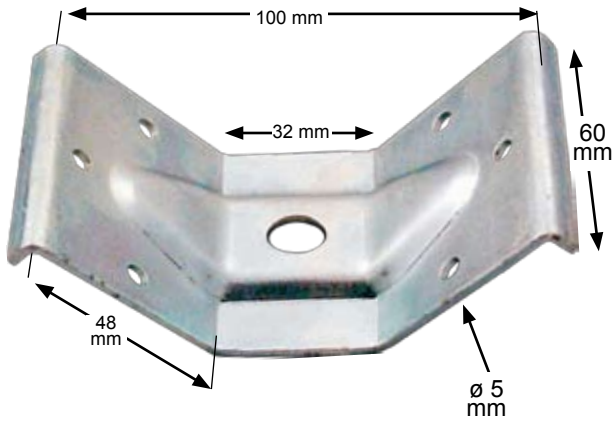
- high quality furniture fittings

SISO
DENMARK

LEG CORNER BRACKETS	13-14	
KEA SCREW-IN BUSHINGS	15-17	
HINGES	18-24	
LOCATING PINS	24	
TABLE CONNECTORS	24	
TABLE CONNECTOR CLICK CATCH	25-29	
CLICK CATCH 90 DEGREE	30	
SURF TABLE CONNECTOR	31-32	
TABLE CATCH # 22	33	
ALUMINIUM TABLE SWIVEL »LAZY SUSAN«	34	
SNAP FOLDING TABLE LEGS	35	
HIDE AWAY MECHANISM	36	
TABLE CLIPS	37	
NUTS	37	
LOCKING PIN & HOOKS	38	
HANGERBOLTS & TOOLS FOR INSERTING	39	
NAILS & ADJUSTABLE GLIDES	40-41	
WING SCREWS & BUSHINGS	42	

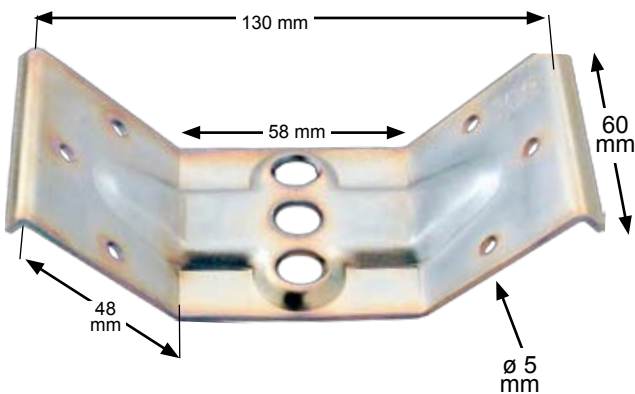
LEG CORNER BRACKETS

MODEL 21



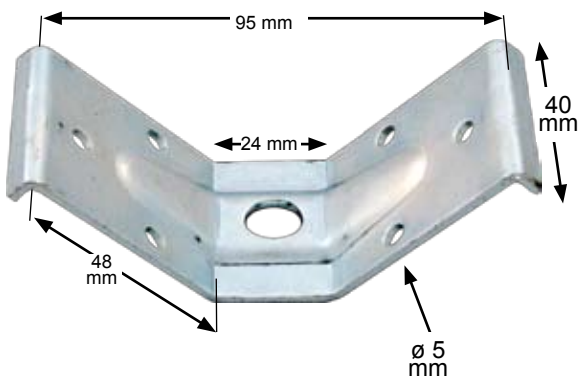
Height: 60mm	1 Hole f/M8 or M10 Bolt
Steel thickness 1,5mm:	
Steel, Yellow Zinc, 12 micron	# 11.07.035
Steel, Bright Zinc	# 11.07.030
Stainless Steel	# 11.07.110
Steel thickness 2,0mm:	
Steel, Yellow Zinc, 12 micron	# 11.07.037
Steel, Bright Zinc	# 11.07.038
Stainless Steel	# on request

MODEL 22



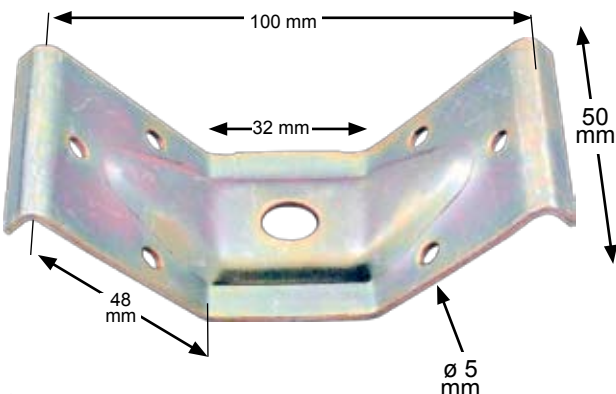
Height: 60mm	1 or 3 Holes f/M8 or M10 Bolt
1 Hole:	
Steel thickness 2,0mm:	
Steel, Yellow Zinc, 12 micron	# 11.07.042
Steel, Bright Zinc	# 11.07.040
Stainless Steel	# on request
3 Holes:	
Steel thickness 2,0mm:	
Steel, Yellow Zinc, 12 micron	# 11.07.043
Steel, Bright Zinc	# 11.07.041
Stainless Steel	# on request

MODEL 23



Height: 40mm	1 Hole f/M8 or M10 Bolt
Steel thickness 1,5mm:	
Steel, Yellow Zinc, 12 micron	# 11.07.051
Steel, Bright Zinc	# 11.07.050
Stainless Steel	# on request
Steel thickness 2,0mm:	
Steel, Yellow Zinc, 12 micron	# 11.07.056
Steel, Bright Zinc	# 11.07.055
Stainless Steel	# on request

MODEL 26



Height: 50mm	1 Hole f/M8 or M10 Bolt
Steel thickness 1,5mm:	
Steel, Yellow Zinc, 12 micron	# 11.07.061
Steel, Bright Zinc	# 11.07.060
Stainless Steel	# on request
Steel thickness 2,0mm:	
Steel, Yellow Zinc, 12 micron	# 11.07.066
Steel, Bright Zinc	# 11.07.065
Stainless Steel	# on request

LEG CORNER BRACKETS

- high quality furniture fittings

SISO DENMARK

MODEL 27

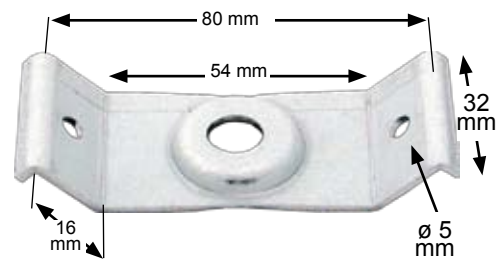
Height: 32mm 1 Hole f/M8 or M10 Bolt

Steel thickness 2,0mm:

Steel, Yellow Zinc, 12 micron # 11.07.071

Steel, Bright Zinc # 11.07.070

Stainless Steel # on request



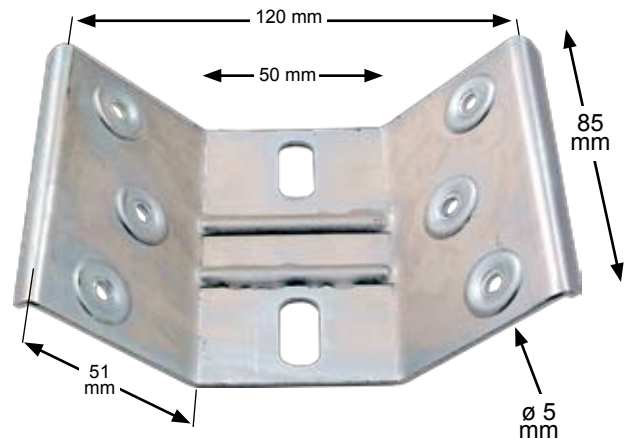
MODEL 28

Height: 85mm 2 Holes f/M8 or M10 Bolt

Steel thickness 2,0mm:

Steel, Yellow Zinc, 12 micron # 11.07.075

Steel, Bright Zinc # 11.07.076



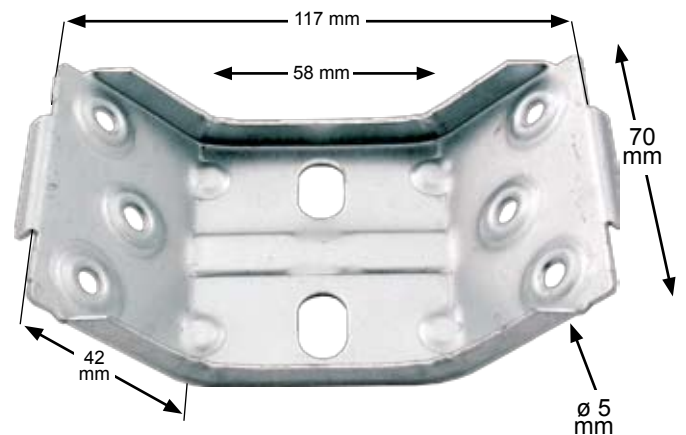
MODEL 29

Height: 70mm 2 Holes f/M8 or M10 Bolt

Steel thickness 1,5mm:

Steel, Yellow Zinc, 12 micron # 11.07.080

Steel, Bright Zinc # 11.07.081



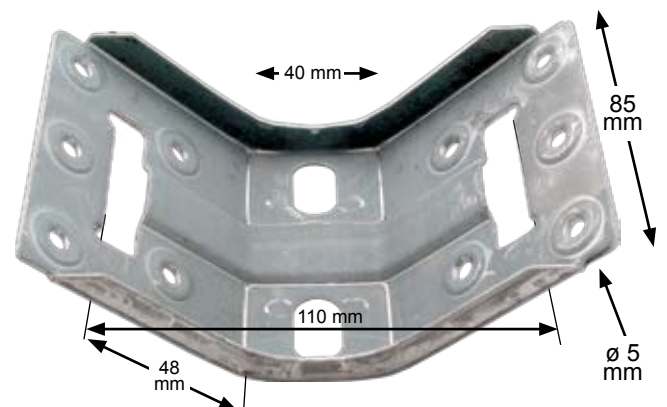
MODEL 30

Height: 85mm 2 Holes f/M8 or M10 Bolt

Steel thickness 1,5mm:

Steel, Yellow Zinc, 12 micron # 11.07.090

Steel, Bright Zinc # 11.07.091



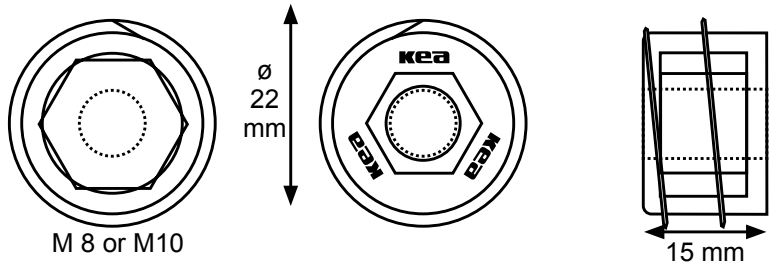
KEA SCREW-IN BUSHING



KEA SCREW-IN BUSHING

w/ SPRING-LOADED INTERNAL THREAD

Material:	Zamak, Plain	
Bore:	ø 22 mm x 15 mm	
Threaded hole:	M8 & M10	
Item No.:	M8	# 11.07.010
	M10	# 11.07.011



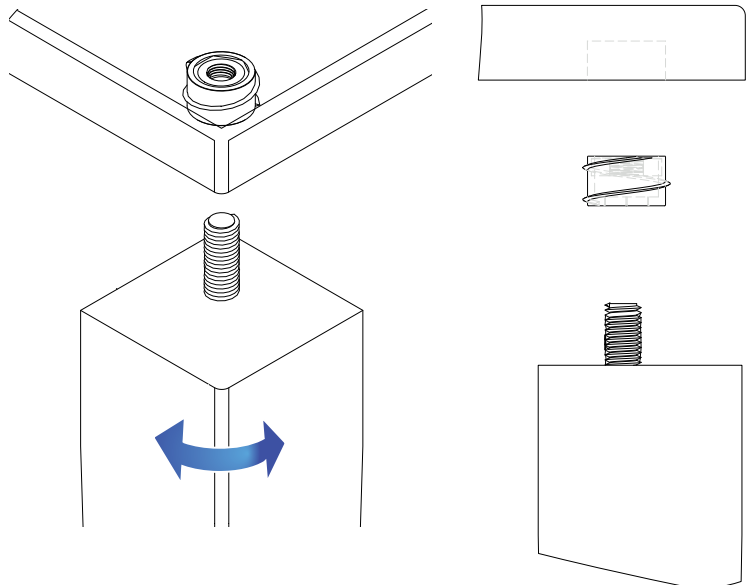
KEA bushing for tables.

The perfect solution for coffee and dining tables.

The KEA solution gives you the possibility to tighten and adjust your table leg in any position due to its **patented** internal spring-loaded system.

With a traditional bushing you normally reach a point where you cannot turn in the hangerbolt any further. If you then have a square table leg that has to be flush with the edge of the table you have a problem. Only by heavy force you can try to turn your table leg further and risk that the wood cracks.

This will not happen with the KEA bushing due to its **patented** internal spring-loaded system.





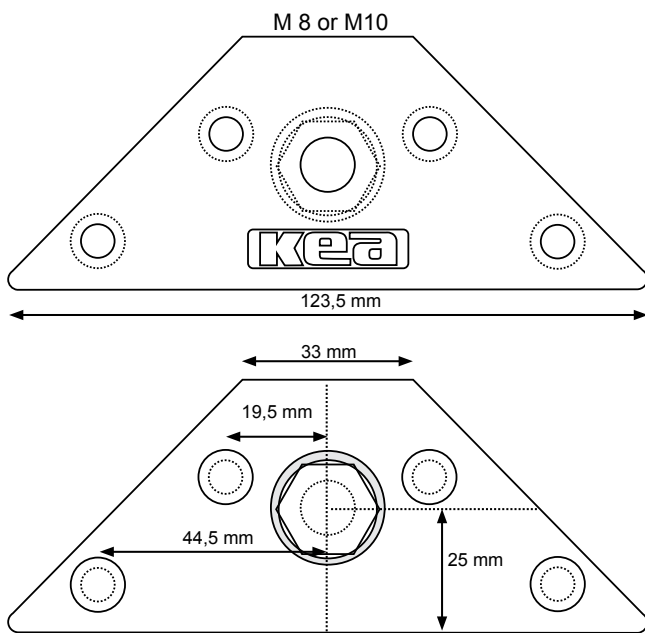
KEA SCREW-IN BUSHING, TRIANGULAR PLATE w/ SPRING-LOADED INTERNAL THREAD

Material: Zamak, Plain

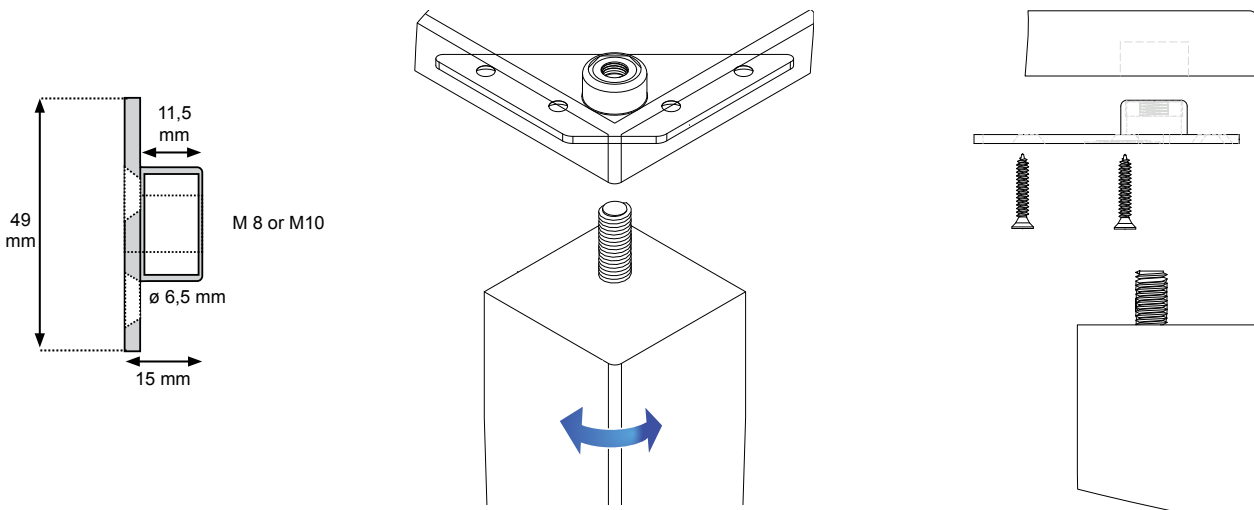
Width: 123,5 mm

Threaded hole: M8 & M10

Item No.:	M8	# 11.07.015
	M10	# 11.07.016



The triangular KEA has been tested by SP Swedish National Testing and Research Institute and has proven strong even for bed frame use.

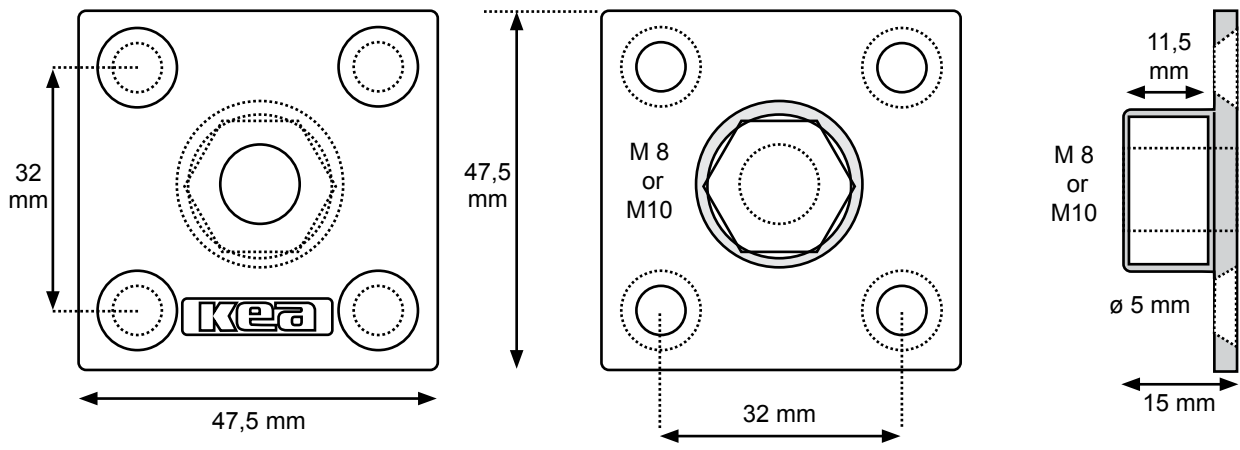
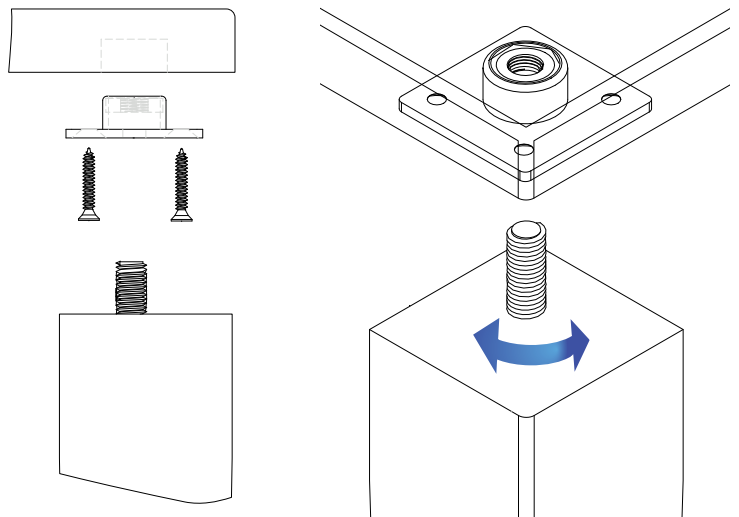


KEA SCREW-IN BUSHING



**KEA SCREW-IN BUSHING,
SQUARE PLATE
w/ SPRING-LOADED INTERNAL THREAD**

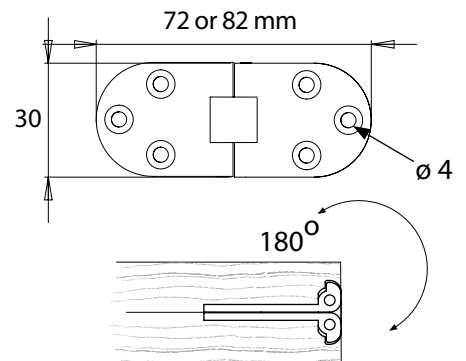
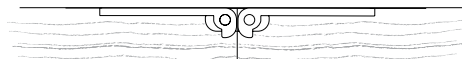
Material:	Zamak, Plain	
Size:	47,5 mm x 47,5 mm	
Threaded hole:	M8 & M10	
Holes:	c/c 32 mm	
Item No.:	M8	# 11.07.001
	M10	# 11.07.002



SEWING MACHINE TABLE HINGE

Material: Brass or Stainless Steel (SS)
Screw Holes: Ø 4.0 mm

Sizes	Finish	Item. No
30 x 72 x 2.0 mm	Brass Sanded	# 15.11.350
30 x 72 x 2.0 mm	Nickel Satin	# 15.11.355
30 x 72 x 2.0 mm	Bronzed	# 15.11.370
30 x 72 x 2.0 mm	SS Polished	# 15.11.390
30 x 72 x 2.0 mm	SS Brushed	# 15.11.391
30 x 80 x 2.0 mm	Brass Sanded	# 15.11.310

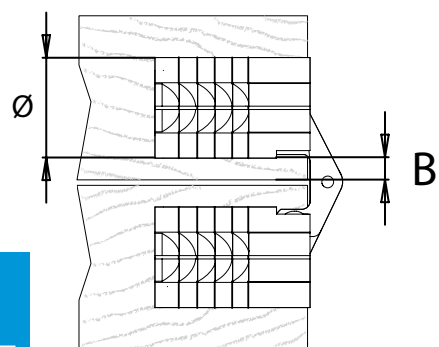
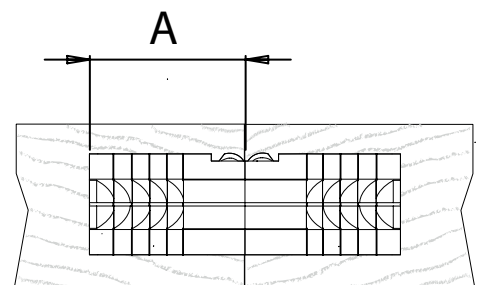


BRASS CYLINDER HINGE w/ SS PIN & SCREWS

Material: Body and Linkage: Brass
Pin and Screws: Stainless Steel (SS)
Finish: Brass Natural

Sizes	Item No	A*	B*
Ø 10 mm	# 15.07.345	11,0 mm	2,0 mm
Ø 12 mm	# 15.07.346	13,5 mm	2,2 mm
Ø 14 mm	# 15.07.347	15,5 mm	3,0 mm
Ø 16 mm	# 15.07.348	16,5 mm	3,0 mm
Ø 18 mm	# 15.07.349	17,5 mm	3,0 mm
Ø 24 mm	# 15.07.350	25,0 mm	4,5 mm

* See illustration A and B for measurement



PLASTIC CYLINDER HINGE w/ STEEL LINKAGE

Material: Body: Nylon
Linkage: Steel, Yellow Zinc Plated

Sizes	Finish	Item No	A*	B*
Ø 12 mm	Beige	# 15.07.202	18,0 mm	2,5 mm
Ø 12 mm	Dark Brown	# 15.07.203	18,0 mm	2,5 mm
Ø 14 mm	Beige	# 15.07.222	15,5 mm	2,5 mm
Ø 14 mm	Dark Brown	# 15.07.223	15,5 mm	2,5 mm

* See illustration A and B for measurement



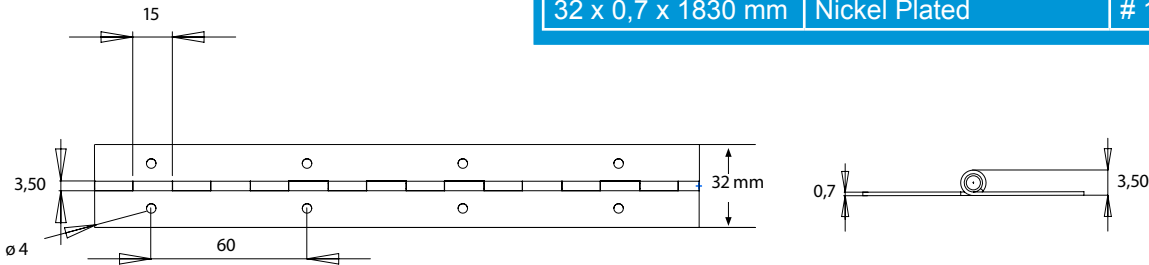
HINGES

PIANO HINGE



Material: Steel
Screw hole: \varnothing 4 mm - c/c 60 mm

Size	Finish	Item No.
32 x 0,7 x 1830 mm	Brass Plated Lacquered	# 15.12.076
32 x 0,7 x 1830 mm	Nickel Plated	# 15.12.075

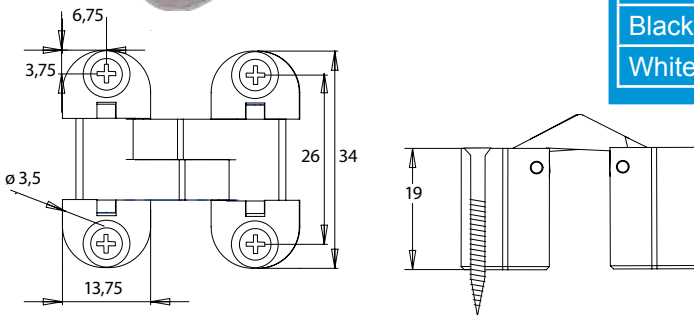


OVAL PLASTIC CYLINDER HINGE - w/ BRASS LINKAGE - 180°



Material: Body : Nylon
Linkage: Brass
Size: 34 x 14 mm
Screw hole: \varnothing 3,5 mm - c/c 25 mm
Finish:

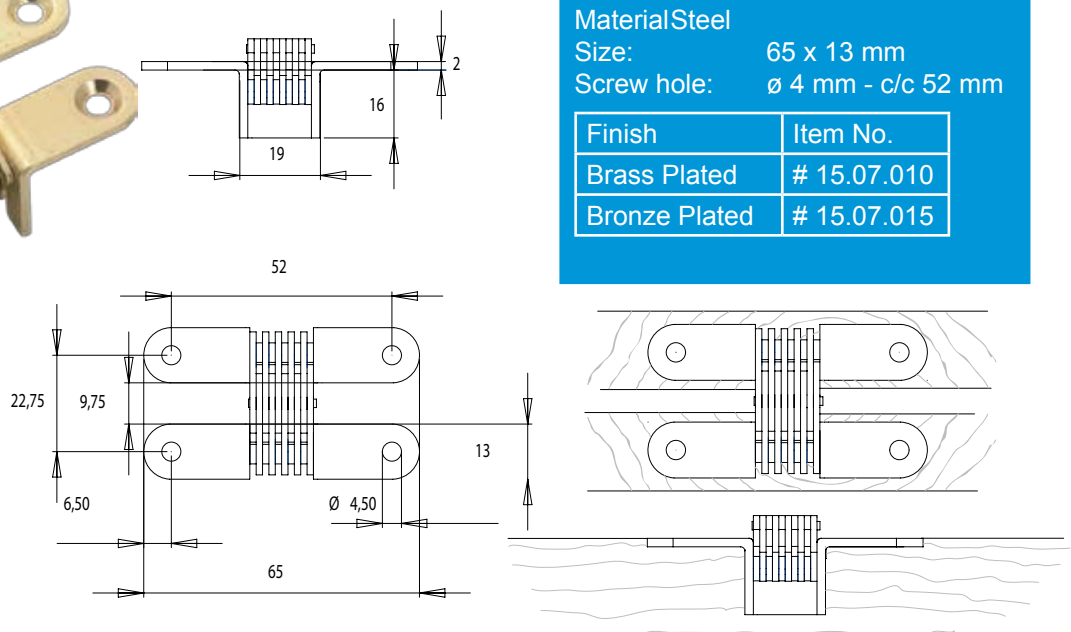
Body	Linkage	Item No.
Brown	Bronze Plated	# 15.07.165
Black	Burnished	# 15.07.166
White	Nickel Plated	# 15.07.167



VICI HINGE - STEEL 180°

Material: Steel
Size: 65 x 13 mm
Screw hole: \varnothing 4 mm - c/c 52 mm

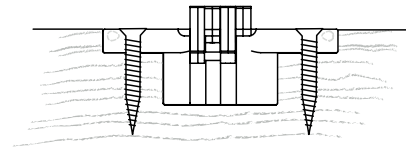
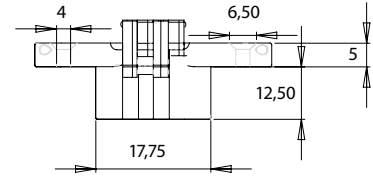
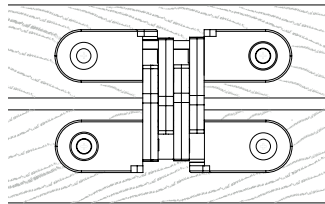
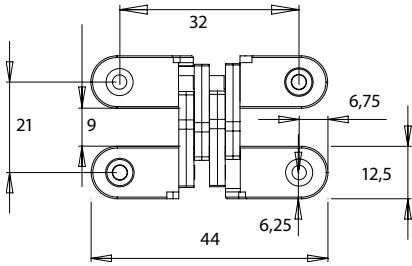
Finish	Item No.
Brass Plated	# 15.07.010
Bronze Plated	# 15.07.015



VICI HINGE - ZAMAK w/ STEEL LINKAGE - 180°

Material Body: Zamak
 Linkage: Steel
 Finish: Yellow Zinc Plated (YZP)
 Size: 44 x 12,5 mm
 Screw Hole: \varnothing 4 mm - c/c 32 mm
 Item No.: # 15.07.115

Other sizes and finishes on request

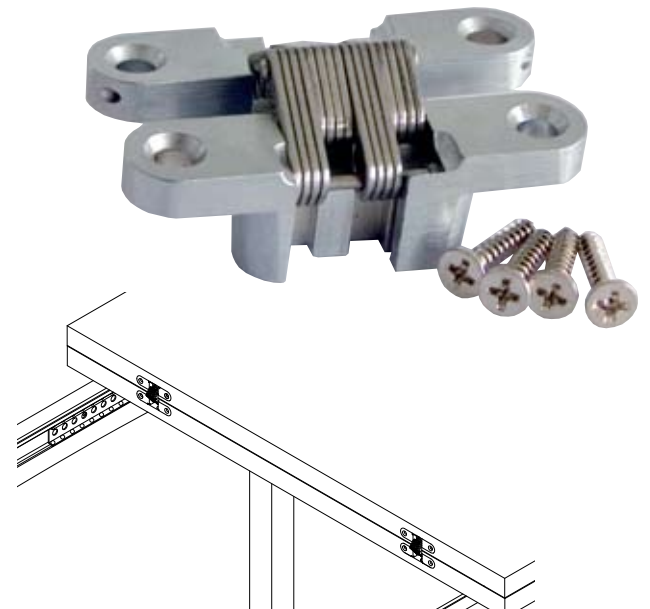
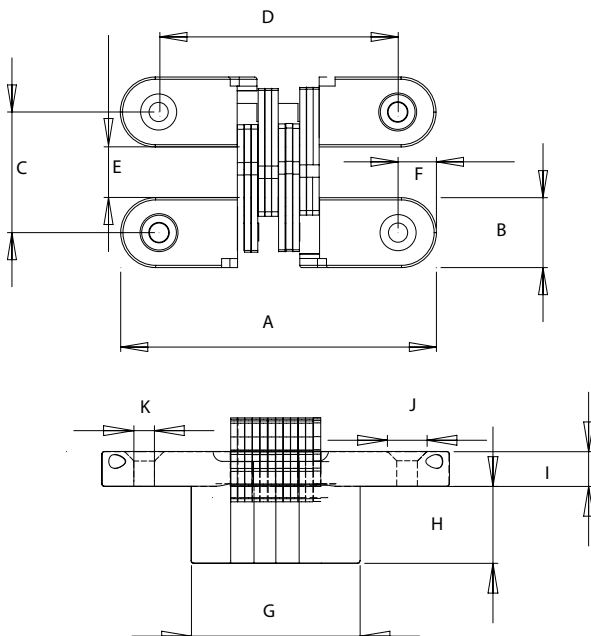


VICI HINGE - ZAMAK w/ SS LINKAGE - 180°

Material Body: Zamak
 Linkage: Stainless Steel (SS)
 Finish: Body: Stainless Steel look- Brushed
 Linkage: Plain

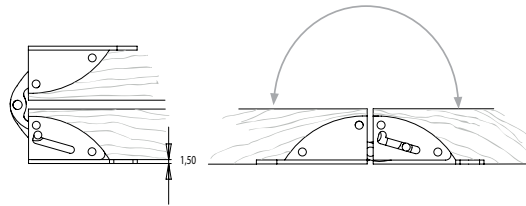
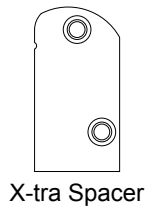
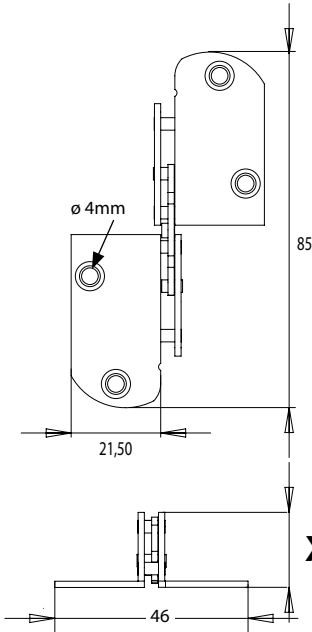
Incl. 4 CSK chip board screws

A	B	C	D	E	F	G	H	I	J	K	Item No.
45 mm	13 mm	21 mm	32 mm	8 mm	7 mm	18,5 mm	12 mm	5 mm	6,5 mm	4 mm	15.07.120
60 mm	13 mm	21 mm	47 mm	9 mm	7 mm	32 mm	12 mm	6 mm	7,5 mm	5 mm	15.07.121
70 mm	16 mm	26 mm	55 mm	11 mm	8 mm	34 mm	16 mm	7 mm	8 mm	5 mm	15.07.122
95 mm	19 mm	32 mm	75 mm	13,5 mm	10 mm	51,5 mm	17 mm	10 mm	10 mm	6 mm	15.07.123



HINGES

ELU TABLE HINGE 180°



Material: Steel, Yellow Zinc Plated (YZP)
 Over all Size: 85 mm x 46 mm

Panel Size X	Item No.	Panel Size X	Item No.
16 mm	# 15.80.110	23 mm	# 15.80.145
18 mm	# 15.80.120	25 mm	# 15.80.155
19 mm	# 15.80.125	30 mm	# 15.80.170
20 mm	# 15.80.130	32 mm	# 15.80.025 (BPL)
22 mm	# 15.80.140		

Spacer For Panel Thickness Reduction = SFPTR*

SFPTR*	Item No.	SFPTR*	Item No.
1 mm	# 15.80.000	2 mm	# 15.80.001

The Spacer gives you the possibility to operate with only one hinge size even though you use different panel thicknesses in your production.

Example given: Take a Hinge for 18 mm panel thicknesses and add a 2 mm spacer. Now you can use the hinge for 16 mm panel thickness.

SEPA HINGE 180°



Material: Zamak
 Panel thickness: Min. 26 mm
 Size: 52 x 18 x 2 mm
 Item No. # 15.04.076

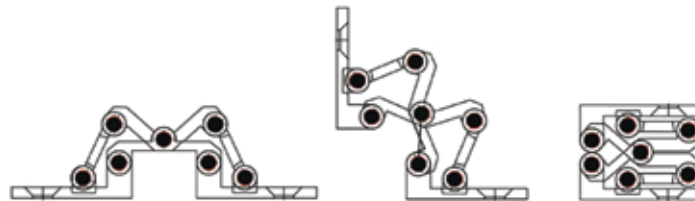
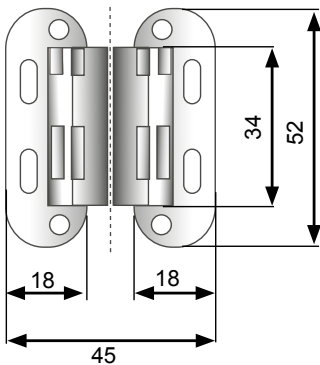


TABLE FLAP HINGE - f/ 22 mm PANEL - 180°

Material:
 Body: Nylon
 Linkage: Zamak

Bore Size: \varnothing 35 mm and \varnothing 25 mm
 Hole Depth: 19 mm

Finish

Body:	Linkage:	Item No.
Beige	Yellow Zinc	# 15.80.200
Black	Black Zinc	# 15.80.201

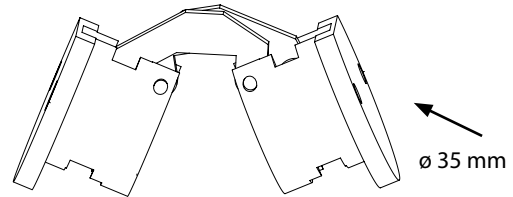
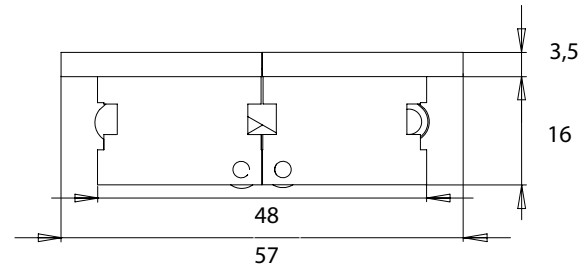
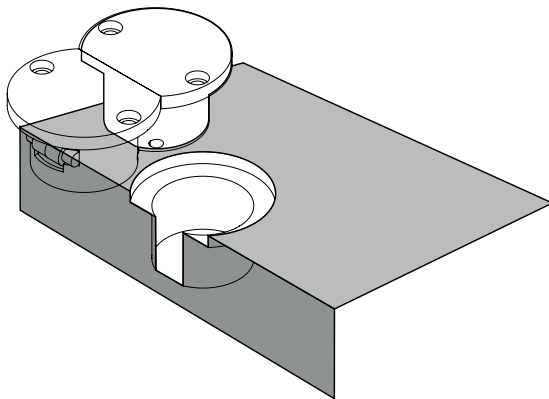
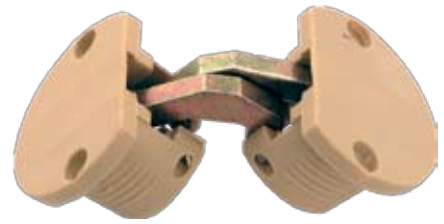
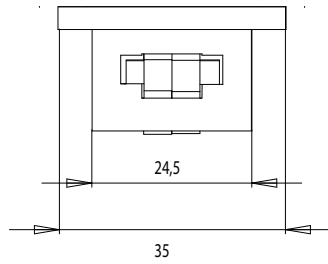
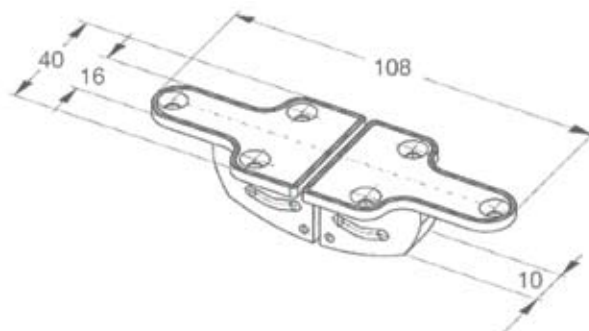


TABLE FLAP HINGE "ZAMAK"

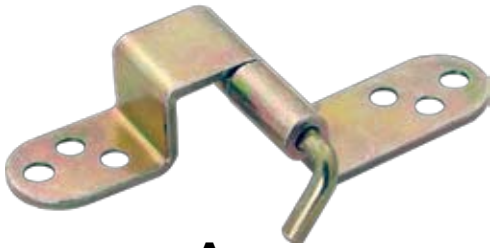
Material: Body: Zamak, Yellow Zinc Plated
 Linkage: Steel, Yellow Zinc Plated

Over all size: 108 x 40 x 3 mm

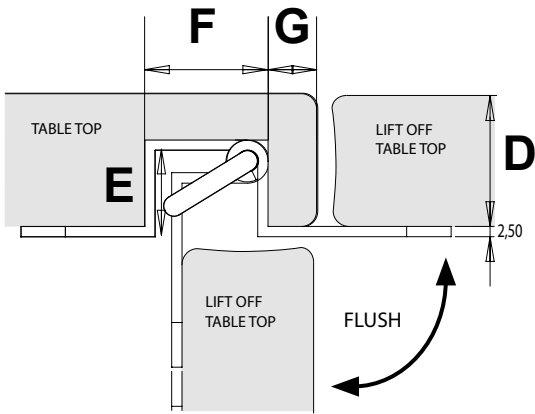
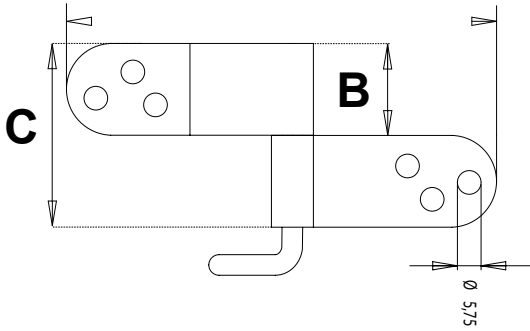
Panel size: 20 mm # 15.80.175
 Panel size: 27 mm # 15.80.180



FLUSH LEAF TABLE HINGE



A

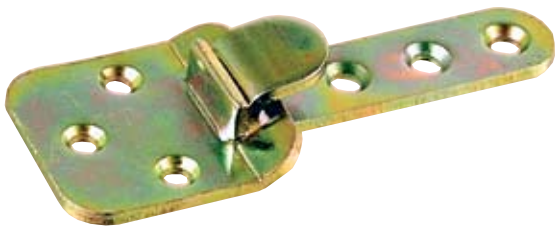


Material: Steel, 2,5 mm
 Finish: Yellow Zinc Plated (YZP)
 Screw hole: \varnothing 5 mm

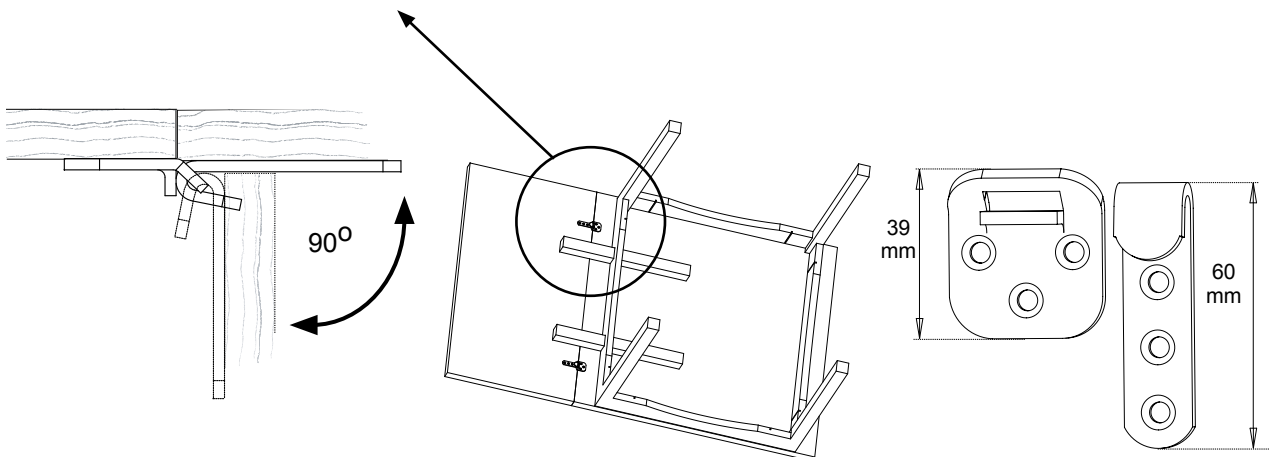
A	B	C	D	Item No.
100 mm	22 mm	44 mm	25-28 mm	# 24.09.080
100 mm	25 mm	50 mm	29-32 mm	# 24.09.090
110 mm	30 mm	60 mm	33-36 mm	# 24.09.100
110 mm	35 mm	70 mm	37-40 mm	# 24.09.110

E	F	G	Item No.
19 mm	25 mm	0,5 x D - 5 mm	# 24.09.080
21 mm	25 mm	0,5 x D - 5 mm	# 24.09.090
23 mm	30 mm	0,5 x D - 5 mm	# 24.09.100
25 mm	30 mm	0,5 x D - 5 mm	# 24.09.110

**LIFT OFF HINGE
 - w/ STOP FOR TABLE LEAVES**



Material: Steel, 3 mm
 Finish: Yellow Zinc Plated
 Screw hole: \varnothing 4,5 mm
 Angle: 90 Degree
 Item No.: # 24.09.040



LINKIT - THE DESK TOP CONNECTOR

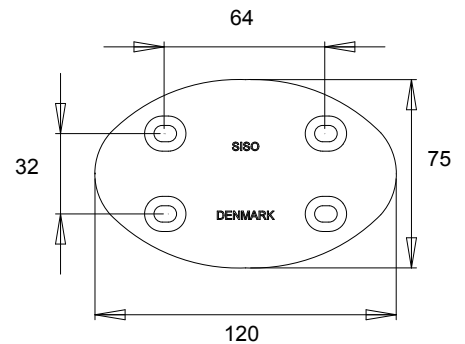
Material: Zamak
 Finish: Anthracite (Dark Grey)
 Size: 75 x 120 mm - c/c 32 & 64 mm
 Screw hole: \varnothing 4,5 mm with 6 mm horizontal adjustment
 Item No: # 24.03.090

Design registered in:
 USA, UK, Germany, Australia and New Zealand

Fixation:

Screw-in Bushing D-613 Item No.: # 12.10.191

Raised Dome Head Screw - PZD Item No.: # 12.06.830



LOCATING PINS

For Table Tops, etc.

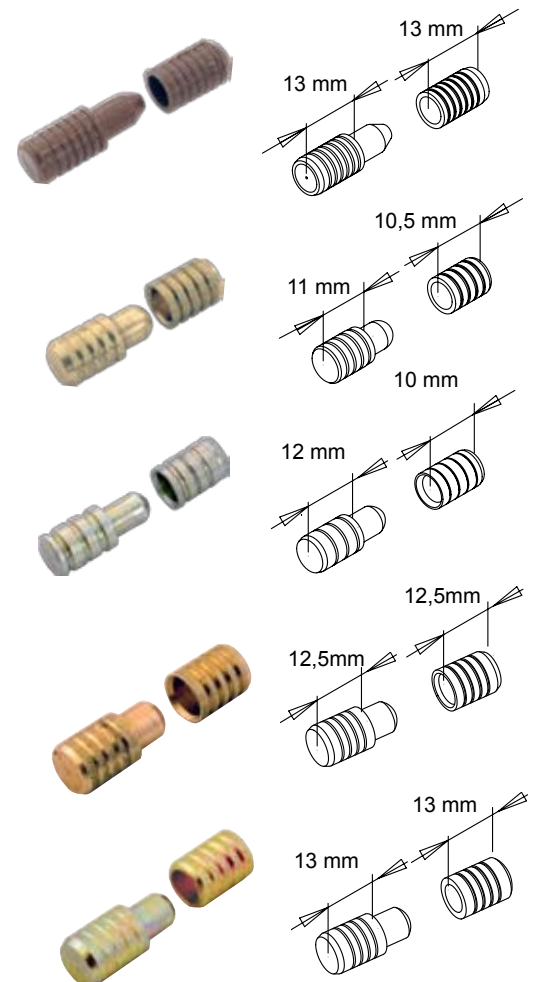
Material: Nylon
 Size: \varnothing 8 x 26 mm
 Finish: Brown
 Item No.: Male # 11.06.890
 Female # 11.06.891

Material: Brass
 Size: \varnothing 8 x 21,5 mm
 Finish: Natural
 Item No.: Male # 11.06.855
 Female # 11.06.856

Material: Steel
 Size: \varnothing 8 x 24 mm
 Finish: Yellow Zinc 12 Micron
 Item No.: Male & Female # 11.06.851

Material: Brass
 Size: \varnothing 10 x 25 mm
 Finish: Natural
 Item No.: Male # 11.06.857
 Female # 11.06.858

Material: Steel
 Size: \varnothing 10 x 26,2 mm
 Finish: Yellow Zinc 2-3 mycron
 Item No.: Male & Female # 11.06.854



CIRCULAR TABLE SPANNER

GT 60/2

Material: Zamak, 3 mm
 Screw hole: \varnothing 3,5 mm
 Diameter: \varnothing 60 mm
 Item No.: Brass Plated # 24.03.070
 Item No.: Nickel Plated # 24.03.071

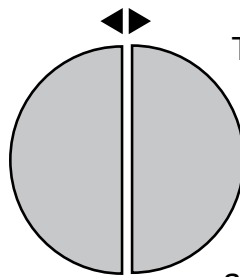
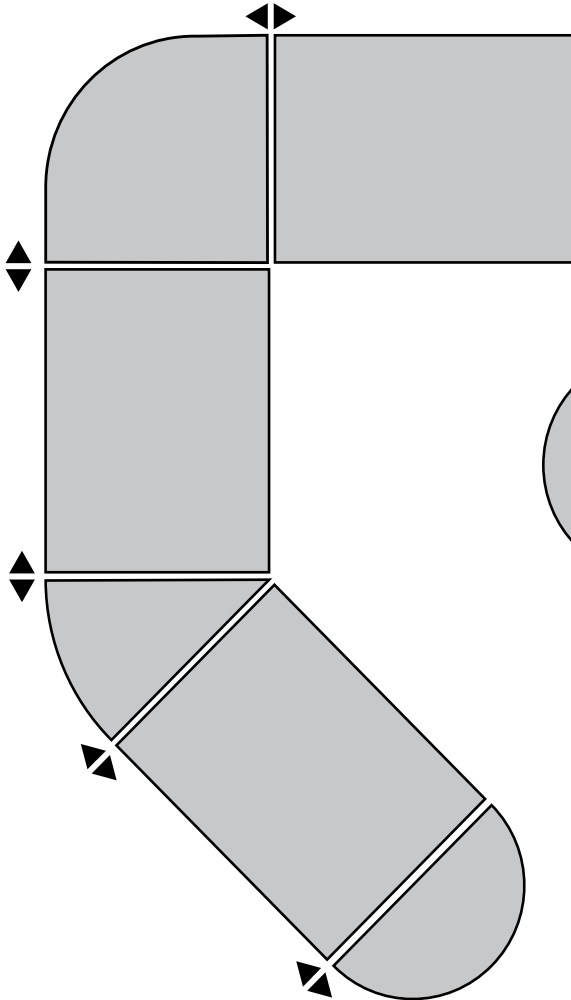


Click Catch Innovative patented solution for connecting table and additional table leaves!

The connector consists of a male and female part – a revolving fork and a U-bracket.

Normally two sets of **CLICK CATCH** are mounted under separate table tops to connect a pair of tables by wedging the forks into the U-brackets. When not in use the forks are easily swivelled back under the table top, where they remain invisible and of no obstruction to knees!

We supply a template for the correct location of fastening screws, but otherwise the positioning of the hardware is determined by the furniture manufacturer.



The hardware is manufactured from 3 mm hard steel plate, bright zinc or yellow zinc plated. You can furthermore choose between 2 different lengths.

The standard model which is 153 mm long and a longer and even stronger model "XL" which is 201 mm.

The "XL"-model is especially popular for tables with chamfered plates.

We are also prepared to supply extra female parts of the **CLICK CATCH** in case clients want to offer their desks with more than one attachment position.

Originally the **CLICK CATCH** was created for connecting tables, but also modular chairs can be joined into sofas - and single beds into double beds - simply by applying the **CLICK CATCH** !

CLICK CATCH

Material: 3mm Steel plate
Finish: Bright Zinc or Yellow Zinc Plated

CLICK CATCH standard version

Bright Zinc Plated: # 24.03.140
Yellow Zinc Plated: # 24.03.141

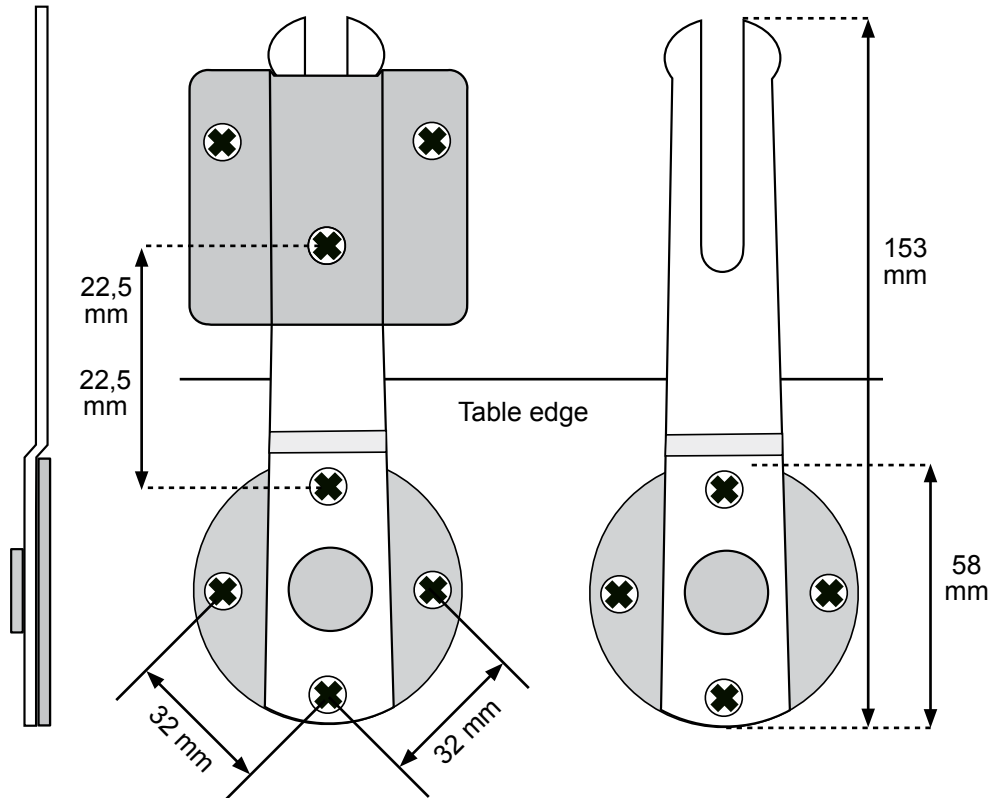
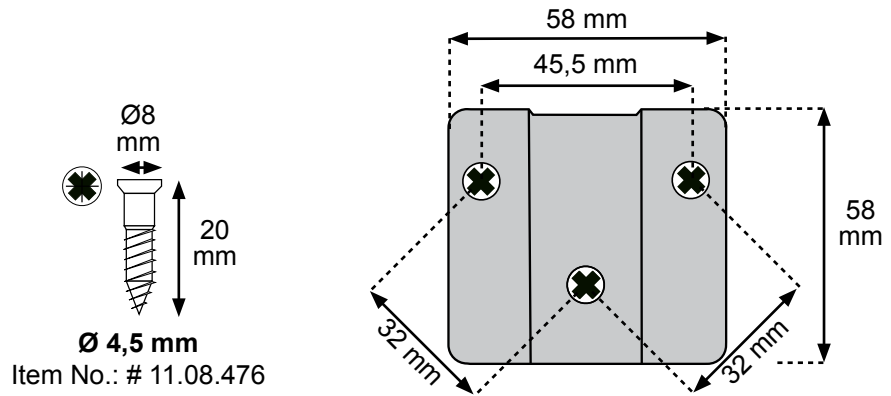
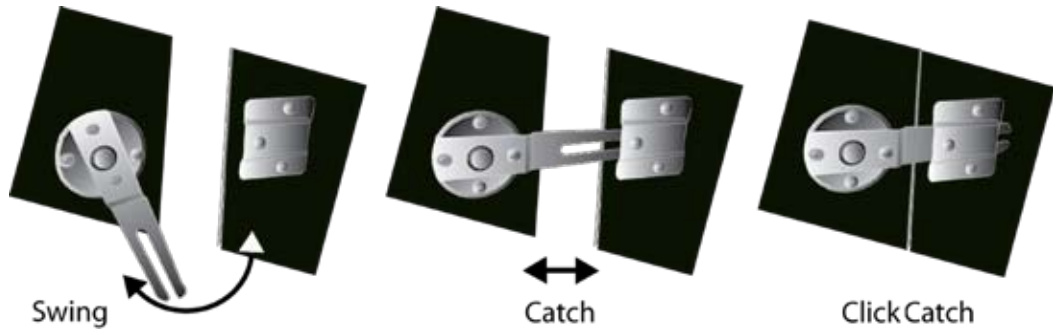
Female part only

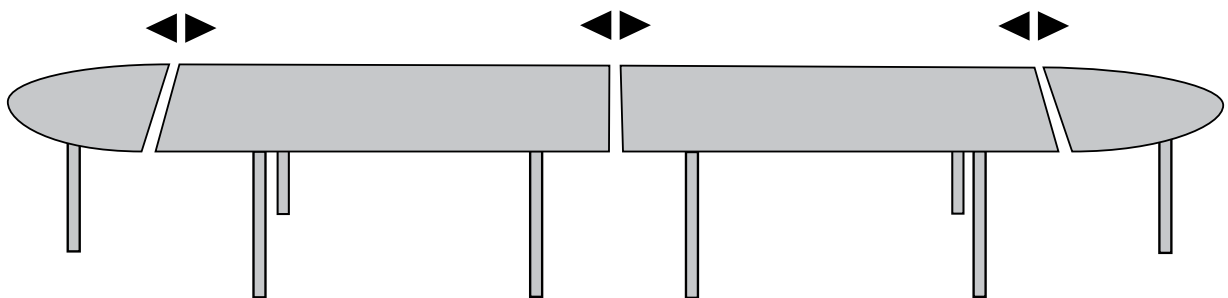
Bright Zinc Plated: # 24.03.130
Yellow Zinc Plated: # 24.03.131

Patents:
US 5,947,628
DK 171823
UK 2314881
DE 19681404
EP patent pending

CLICK CATCH STANDARD

- high quality furniture fittings





CLICK CATCH »XL«
Ideal for Tables with chamfered Plates

Material: 3 mm steel plate
Finish: Bright Zinc or Yellow Zinc Plated

CLICK CATCH »XL« - version

Bright Zinc Plated: # 24.03.145
Yellow Zinc Plated: # 24.03.146

Female part only

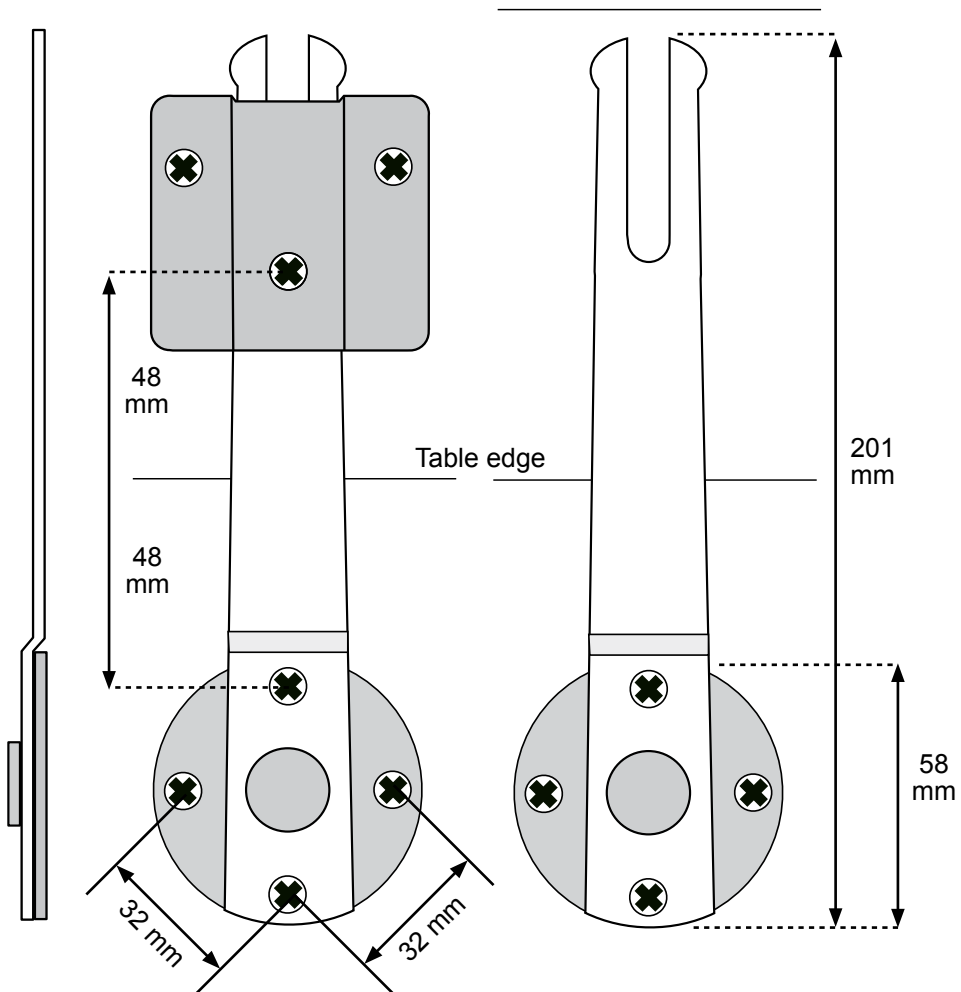
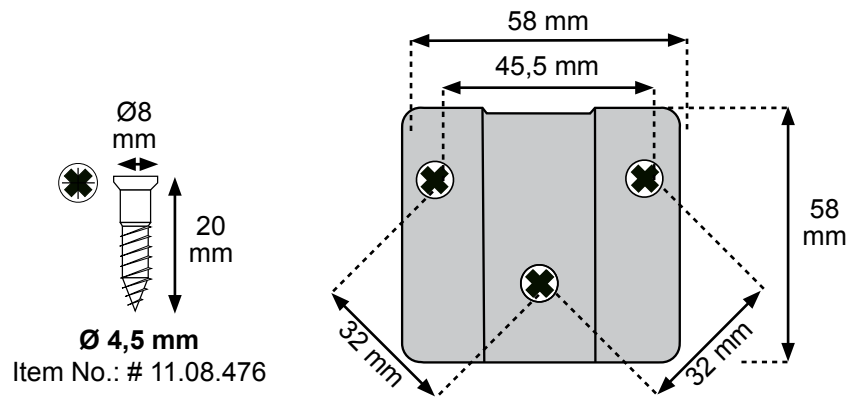
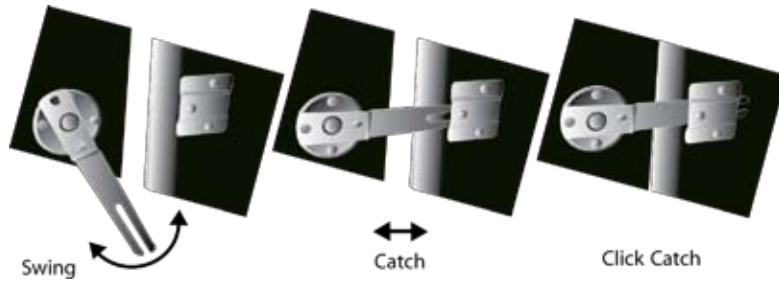
Bright Zinc Plated: # 24.03.130
Yellow Zinc Plated: # 24.03.131

Patents: US 5,947,628 DK 171823
UK 2314881 DE 19681404
EP patent pending

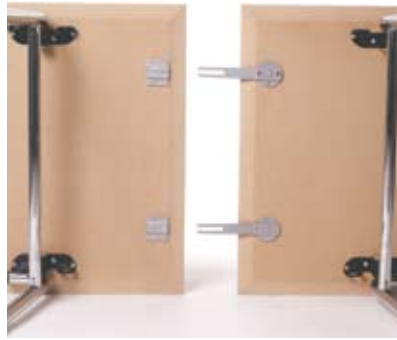
Design: Jesper Møller Hansen

CLICK CATCH »XL«

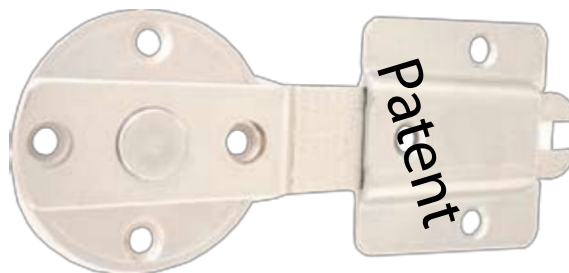
- high quality furniture fittings



CLICK CATCH IN ACTION



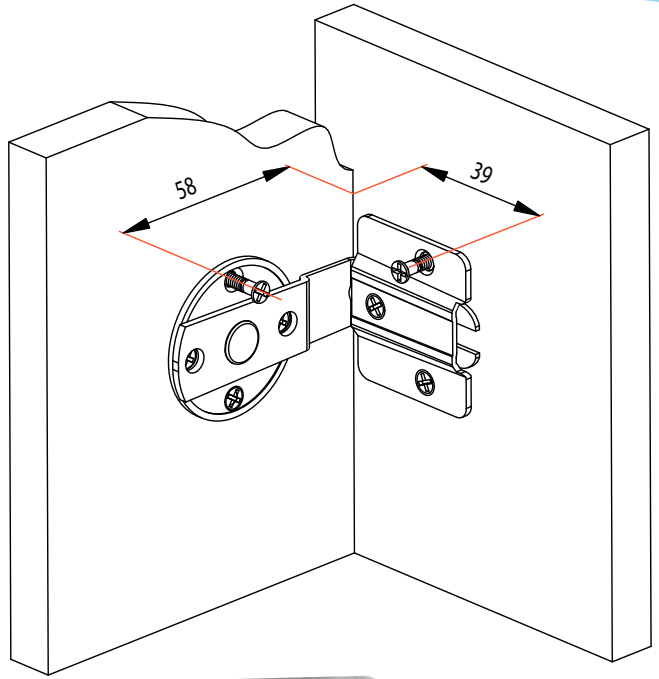
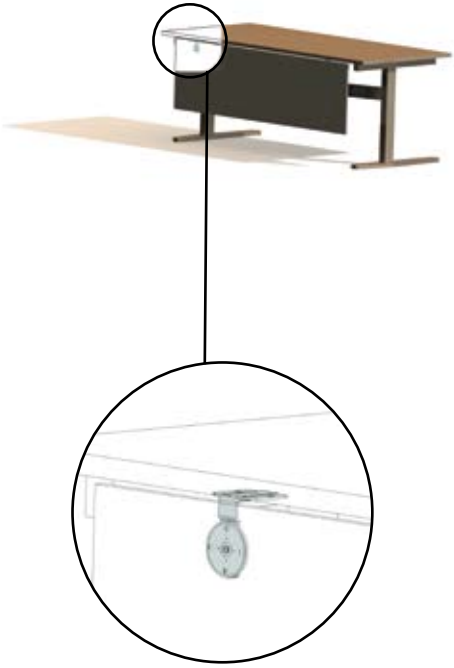
Click Catch is ideal in conjunction with our SNAP folding legs



CLICK CATCH 90 DEGREE

- high quality furniture fittings

SISO DENMARK

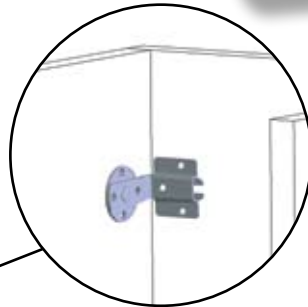


CLICK CATCH 90 DEGREE

Material: 3 mm Steel plate
Finish: Bright zinc plated
Item No.: 24.03.147



PATENTS
US 5,947,628
DK 171823
UK 2314881
DE 19681404
EP PATENT PENDING



SURF

BREAKING THE TRADITIONS



PATENTED

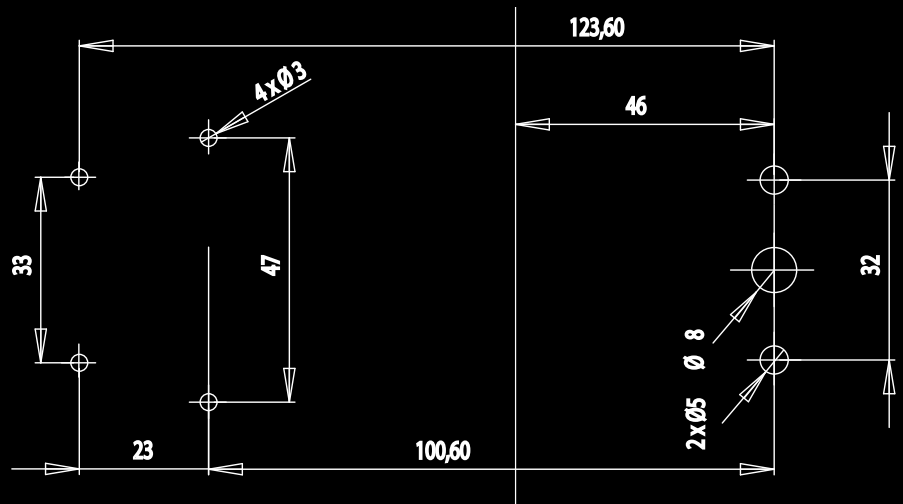
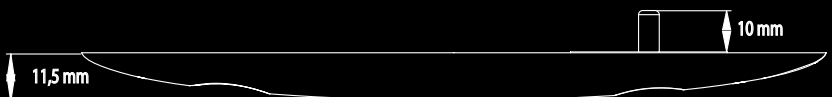
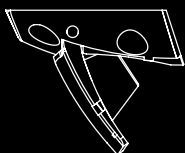
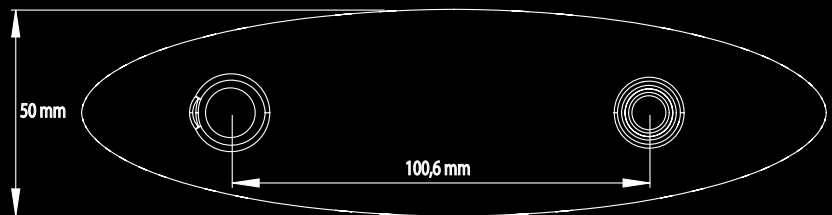
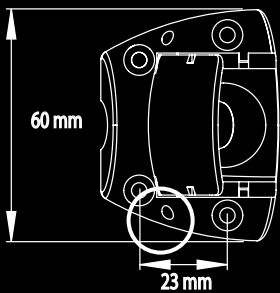
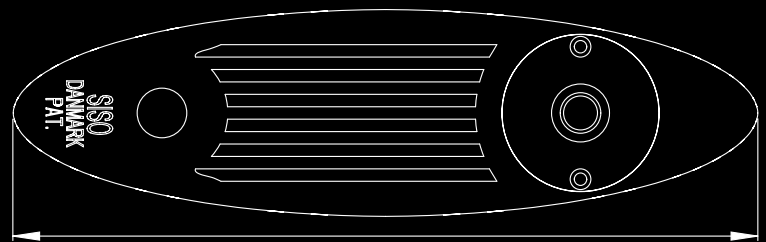
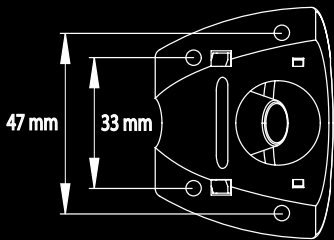


Table edge



SURF TABLE CONNECTOR

- high quality furniture fittings



SURF

the new patented solution for connecting tables

The **SURF** table connector is the latest development of our table connector **CLICK CATCH**.



With the **SURF** we combine design with improved functionality. Not only does the **SURF** connect and hold the table leaves like the **CLICK CATCH** - it also pulls the table leaves together.

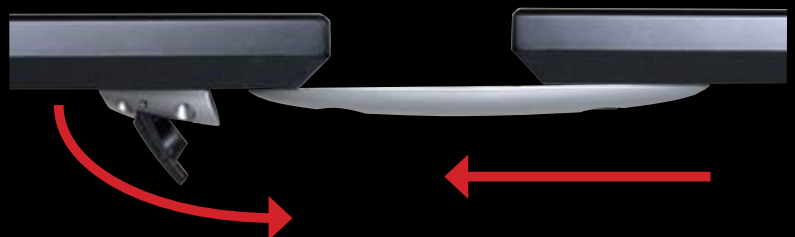
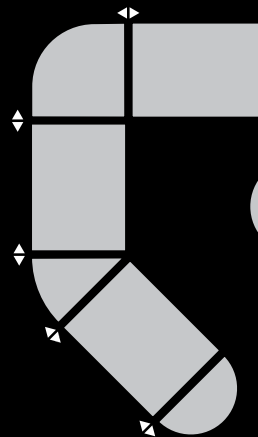
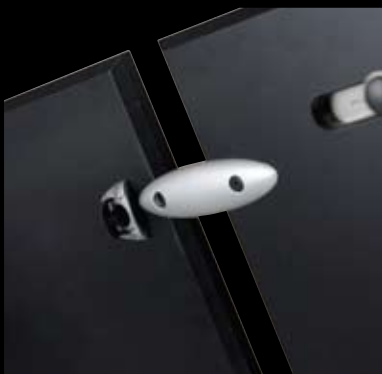
The **SURF** is mounted under the table top to connect tables by sliding the ellipse into the female part. When connected, you lock and tighten the **SURF** by closing the black plastic locking cap.

When not in use the ellipse is easily swivelled back under the table top, where it remains invisible and of no obstruction to knees! The female part, when not in use, works like a spacer for safe stacking of additional table leaves.

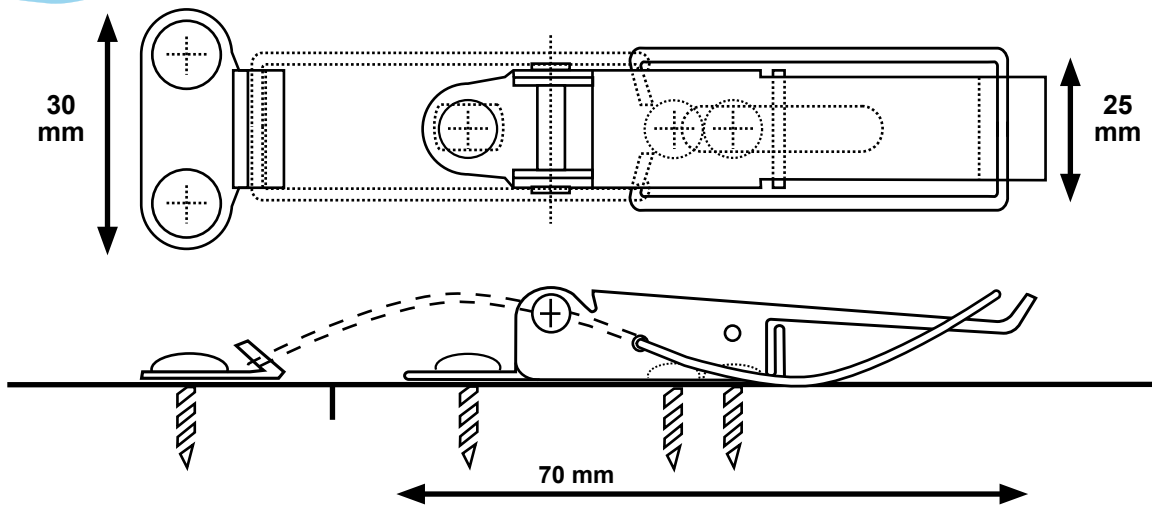
Danish design by SISO & Jesper Møller Hansen
CNC drilling required

1 set consists of a male and a female part made of zamak. Fixation by means of 4 wood screws, a zamak screw-in bushing and a fifteen screw.

1 Male + 1 female - Alu finish	# 24.03.100
Female part only - Alu finish	# 24.03.102
Wood screw Ø4 x 16 mm, BZP	# 15.04.400
Fifteen screw M6 x 25 mm, black	# 12.00.903
Screw-in bushing E-620, zamak M6 x 20 mm, YZP	# 12.10.223



CATCH # 22



Catch #22 is a patented version of the traditional table catch. This new model holds itself flat underneath the table top and spare leaves in both the locked and unlocked position.

Flat to base, even when unlocked - see picture A - D.

The old version always hung loose underneath the table and from spare leaves when not in use. This could easily cause damage to surfaces and edges, particularly on tables fitted with folding »butterfly« extension leaves and even to peoples' legs and clothing.

Catch #22

Material:

Stainless Steel, Polished	# 24.03.000
Steel, Bronzed Plated	# 24.03.001
Steel, Yellow Zinc Plated	# 24.03.002
Steel, Bright Zinc Plated	# 24.03.003
Steel, Black E-coated	# 24.02.999

Fixation:

Wood Screws: Ø 4 mm x 16 mm, Pan Head

Standard packing: 600 Pcs. per carton.

Besides the standard version we also offer the Catch #22 with a 60 mm long hasp for tables with chamfered edges.

Material

Steel, Yellow Zinc Plated	# 24.03.005
---------------------------	-------------

Patent:

UK Pat No. 2309252
 United States Patent 6,041,721
 EP Pat. No. 0786217B1

A



B



C



D





LAZY SUSAN ALUMINIUM TURNTABLE

Material: Ring: 1st grade aluminium, Die Cast
Balls: High grade carbon steel or stainless steel (grade 200)

Application: 360 Degree easy swivelling, apply to any kind of dining table, TV-stand, computer tables etc.
Also perfect for outdoor use when using stainless steel ball bearings.

Other sizes on request

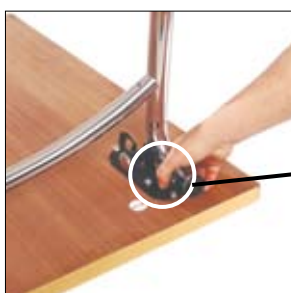
		Load	Top		Bottom		
Sizes	Item. No.:		Capacity	Out	In	Out	In
	SS Ball	Steel ball		White rubber	CSK Holes	CSK Holes	White rubber
300 mm	# 16.15.371	# 16.15.370	50-70 kg				
400 mm	# 16.15.382	# 16.15.381	80-100 kg	6	4	4	6
400 mm		# 16.15.380		6	0	3	6
450 mm	# 16.15.385		100-125 kg	4	4	4	4
600 mm	# 16.15.395		170-190 kg	8	4	4	8
750 mm	# 16.15.400		200-300 kg	10	0	5	10

SNAP FOLDING LEGS



SPECIFICATION

Tube legs:	Seamless, Steel \varnothing 32 x 2 mm. Designed for standard table width of 800 mm. Other widths may be produced to order. Offers a table height of 720 mm including a 30 mm table top panel. Smallest table length is 1000 mm.	
Models:	w/Straight Tube, Chrome Plated 645 mm outer width x 690 mm height	# 06.11.000
	w/Bent Tube, Chrome Plated 645 mm outer width x 690 mm height	# 06.11.005
On request:	Epoxy lacquered in any RAL colour. Minimum quantity 125 sets Self colour, disassembled and bulk packed. Minimum quantity 125 sets	
Mounting plate:	Polished Stainless Steel 3,0 mm, coated with Black Abcide for silent closing and opening.	
Fixation:	Screw in bushing. E-613, Zamak, YZP, M6 x 13 mm	# 12.10.222
	Dome head screw DIN 7985, BZP, M6 x 14 mm	# 12.06.830
	Should be ordered separately. This is very important, for the function and stability of the legs.	
Packing:	Individually packed in cartons containing 1 complete set Snap folding legs for one table	



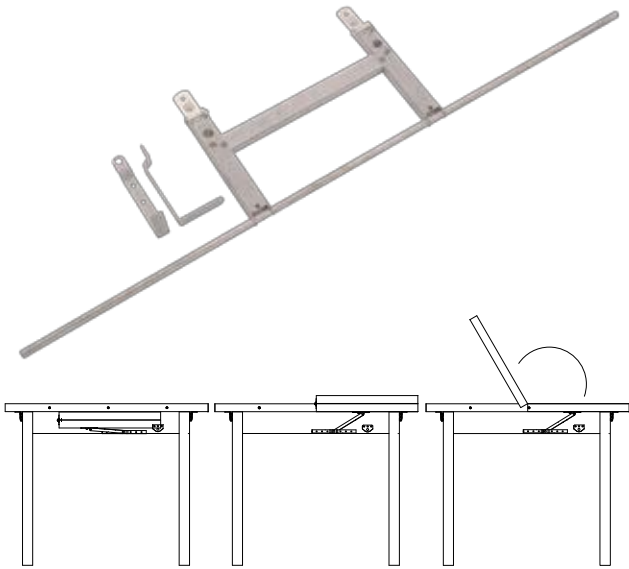
NB! Press spring button before folding the legs

Springloaded lock prevents accidental collapse of table legs.

HIDE AWAY MECHANISM

- high quality furniture fittings

HIDE AWAY MECHANISM f/ FOLDED TABLE TOPS



- Suitable for table flap widths from 400 to 700 mm.

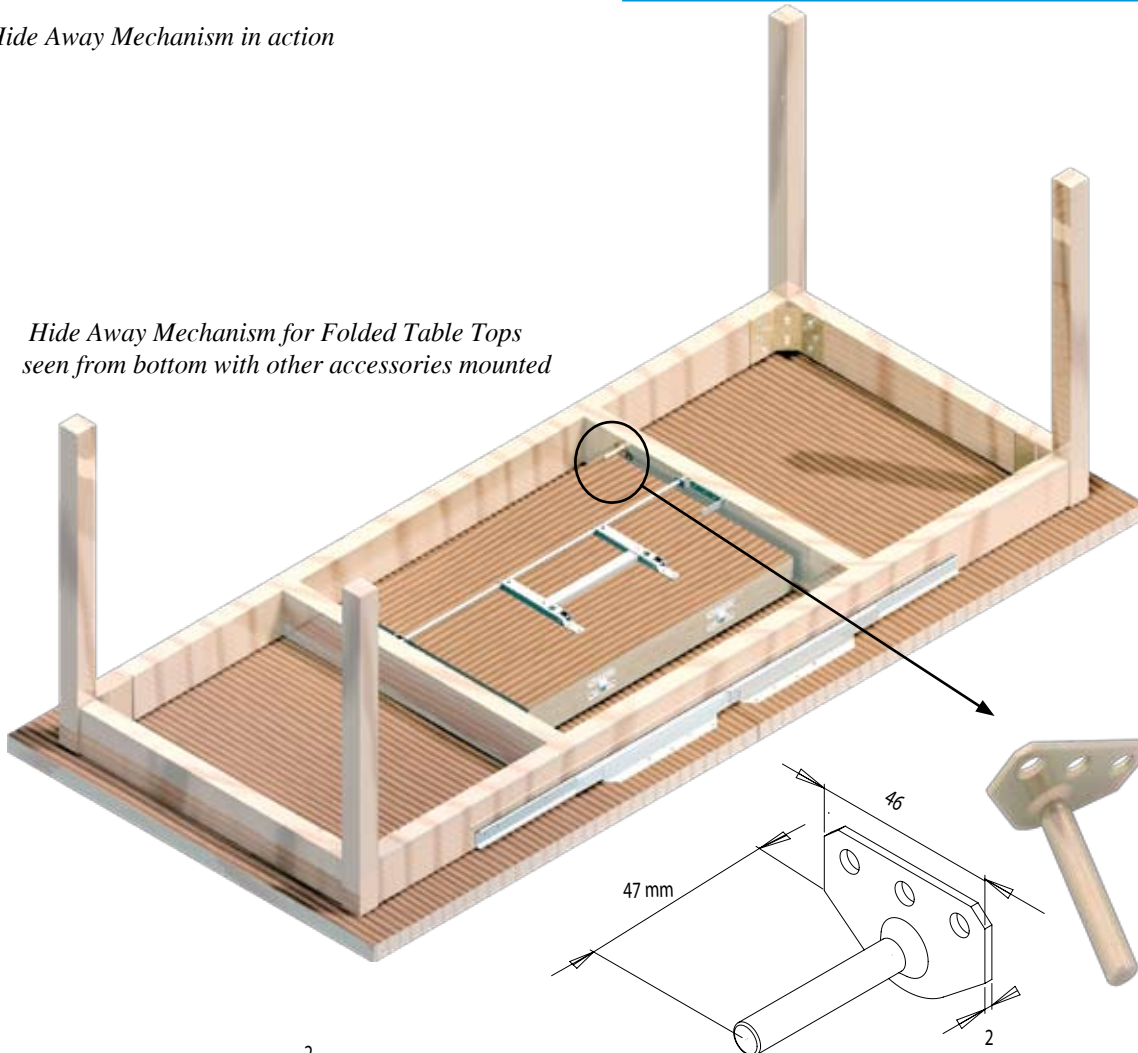
Material: Steel
 Size: Bar: $\varnothing 8 \times 800$ mm
 Frame: 160 x 255 mm
 Clips: 20 x 75 mm
 Screw holes: $\varnothing 4,5$ mm
 Finish: Chrome Plated

The Mechanism incl. 2 Brackets
 Material: Steel
 Size: 14 x 55 x 109 mm
 Screw holes: $\varnothing 4,5$ mm
 Finish: Chrome Plated

Item No.: # 24.08.016

Hide Away Mechanism in action

*Hide Away Mechanism for Folded Table Tops
seen from bottom with other accessories mounted*



SUPPORT BRACKET – f/ TABLE FLAPS

Material: Steel
 Size: Body: 46 x 30 mm
 Pin: $\varnothing 8 \times 47$ mm
 Screw holes: $\varnothing 5,5$ mm
 Finish: Yellow Zinc # 24.03.160

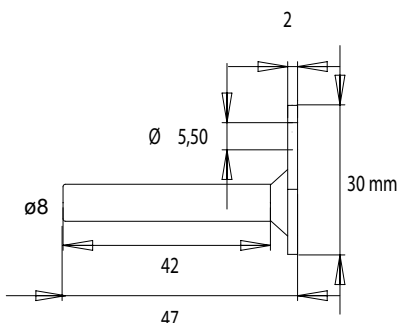
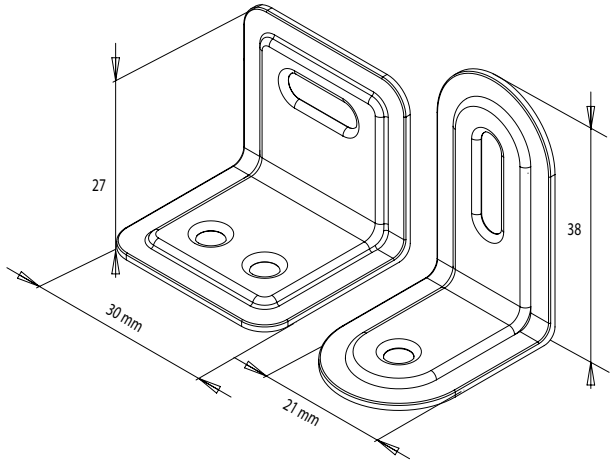
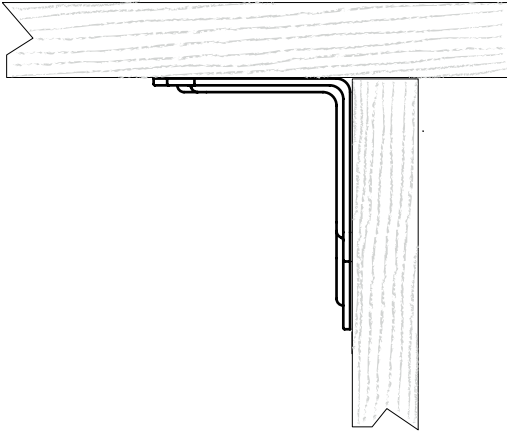


TABLE CLIPS & NUTS

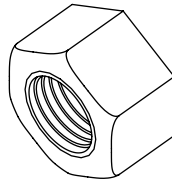
TABLE CLIP

Material:	Steel 1 mm	Screw holes: \varnothing 4 mm
Finish:		Bright Zinc Plated
Size:	21 x 38 x 28 mm	# 24.09.010
	30 x 27 x 27 mm	# 24.09.020



HEXAGONAL NUT DIN 934

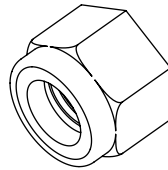
Material:	Steel
Finish:	Yellow Zinc or Bright Zinc
Size:	Item No.:
M6	# 12.11.905/906
M8	# 12.12.015/16
M10	# 12.12.026/27



M6 to M10

HEXAGONAL NUT WITH NYLON RING DIN 985

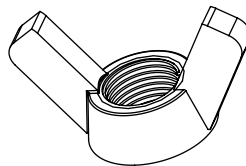
Material:	Steel and nylon
Finish:	Yellow Zinc or Bright Zinc
Size:	Item No.:
M6	# 12.12.421
M8	# 12.12.440
M10	# 12.12.445



M6 to M10

WING NUT

Material:	Steel
Finish:	Yellow Zinc or Bright Zinc
Size:	Item No.:
M6	# 12.12.050/51
M8	# 12.12.055/58
M10	# 12.12.060/61



M6 to M10

LOCKING PIN »CEPACOMO« SPRINGLOADED

Material:	Steel
Size:	Body: 20 x 61 mm Pin: ø 8 x 11 mm
Screw holes:	ø 4,5 mm
Finish: Yellow Zinc	# 04.05.150

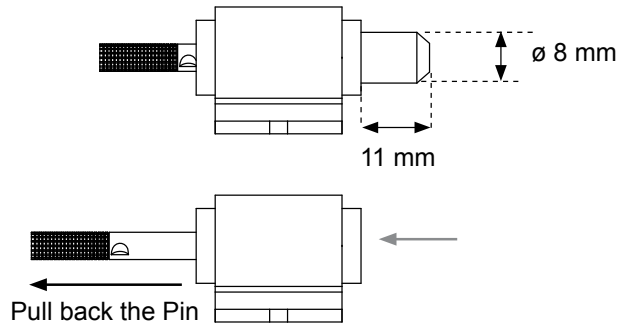
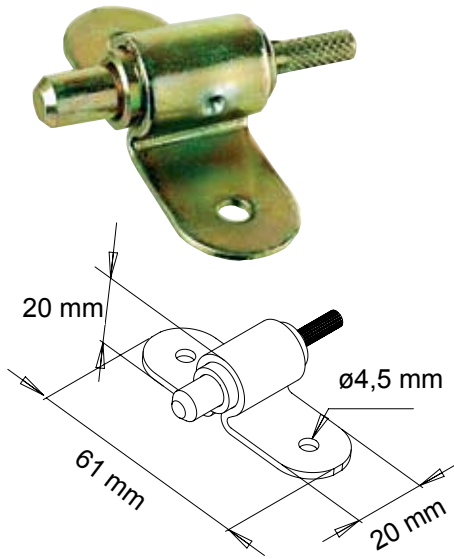


TABLE HOOK »DE LUXE«

Material:	Zamak
Total Size:	23,5 x 53,5 mm
Hook opening:	7 mm
Screw hole:	ø 4 mm
Finish: Nickel Plated	# 24.03.085
Yellow Zinc	# 24.03.086

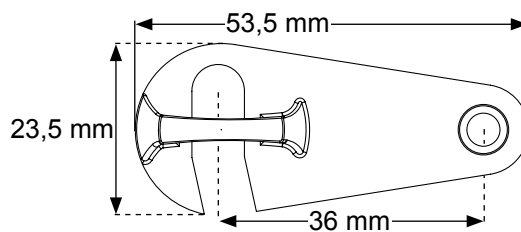
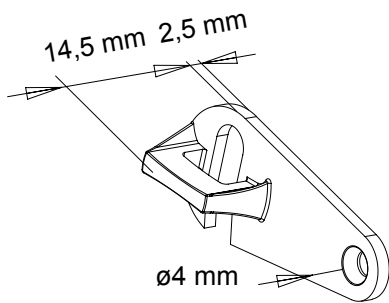
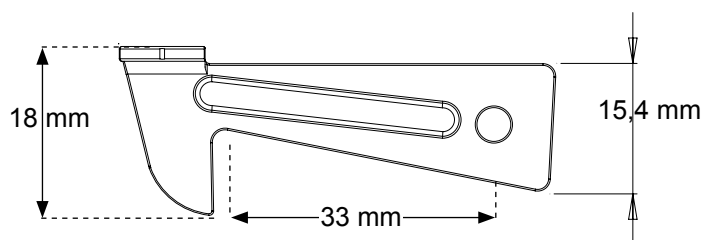
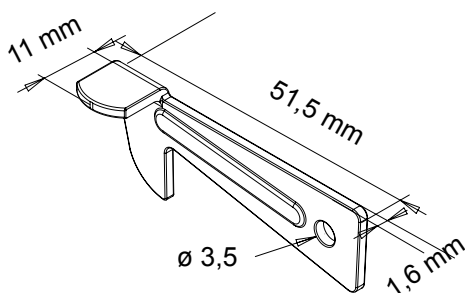


TABLE HOOK »# 7864«

Material:	Steel 1,60 mm
Total Size:	18 x 51,5 mm
Screw hole:	ø 3,5 mm
Finish: Yellow Zinc	# 24.03.080



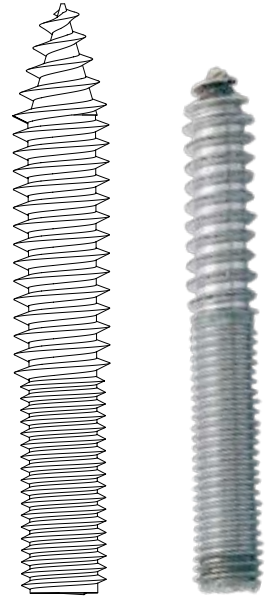
HANGERBOLTS & TOOL FOR INSERTING

HANGERBOLTS

Material: Steel
Finish: Yellow Zinc or Bright Zinc

Size	Item No.:	Size	Item No.:
M4 x 25 mm	# 12.13.000	M8 x 100 mm	# 12.13.037/38
M4 x 50 mm	# 12.13.001	M10 x 50 mm	# 12.13.150
M6 x 50 mm	# 12.13.006/08	M10 x 60 mm	# 12.13.160/61
M6 x 60 mm	# 12.13.016/17	M10 x 70 mm	# 12.13.170
M8 x 50 mm	# 12.13.022/23	M10 x 80 mm	# 12.13.180
M8 x 60 mm	# 12.13.027	M10 x 90 mm	# 12.13.190
M8 x 70 mm	# 12.13.031/32	M10 x 100 mm	# 12.13.100
M8 x 80 mm	# 12.13.035	M10 x 120 mm	# 12,13.205

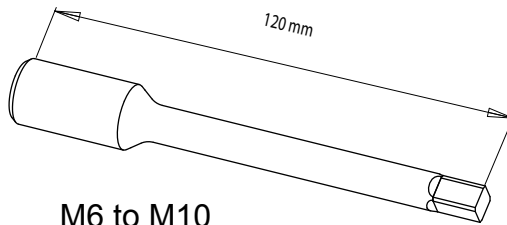
Other sizes on request



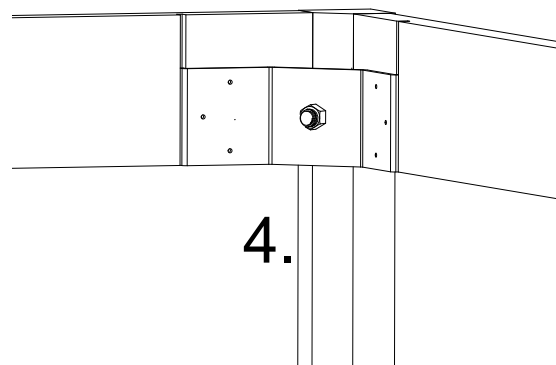
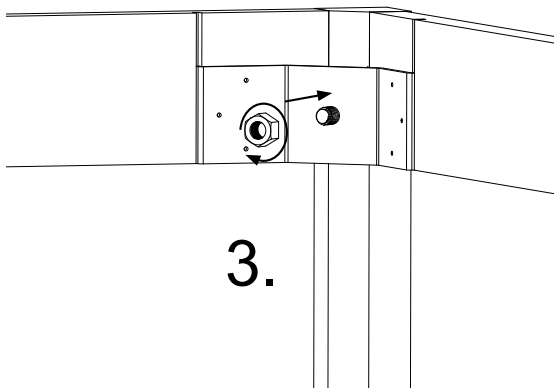
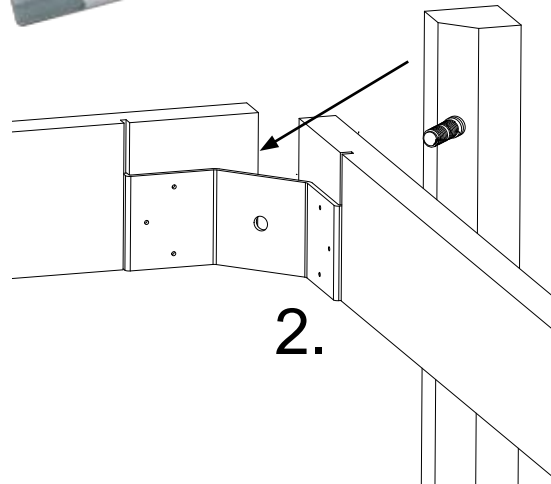
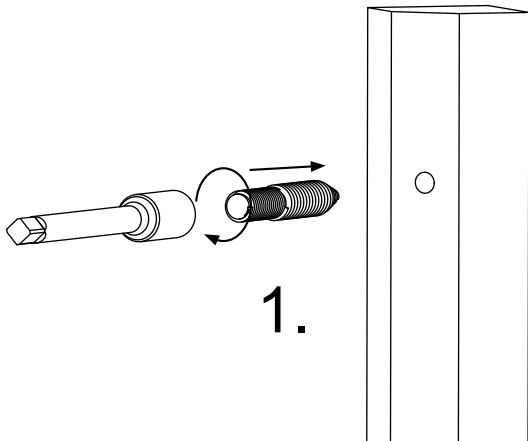
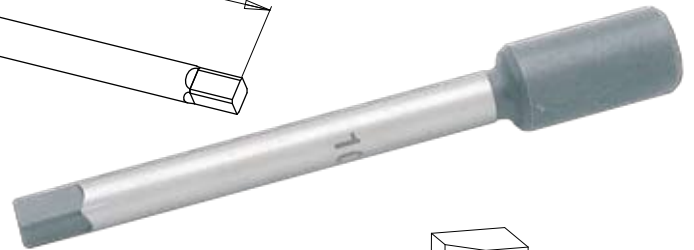
M4 to M10

TOOL FOR INSERTING HANGERBOLTS

Size	Item No.:
M6	# 12.13.100
M8	# 12.13.105
M10	# 12.13.115



M6 to M10



STEEL GLIDE



∅ 13 to 35 mm

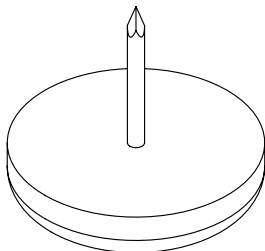
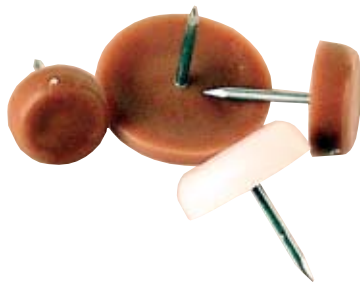
Nail-on Glide W/ 16 mm Nail

Material: Steel

Finish: Nickel Plated

Base	Item. No	Base	Item. No
∅ 13 mm	10.22.020	23 mm	# 10.22.080
∅ 15 mm	10.22.040	25 mm	# 10.22.090
∅ 16 mm	10.22.050	28 mm	# 10.22.100
∅ 18 mm	10.22.060	30 mm	# 10.22.110
∅ 20 mm	10.22.070	35 mm	# 10.22.120

Other sizes and colours on request



∅ 15 to 28 mm

PLASTIC TACK

Nail-on Glide W/ 18 mm Nail

Material: Polyethylene (PE)

Color: White or Brown

Base	Color	Item. No	Color	Item. No
∅ 15 mm	Brown	# 10.25.021	White	# 10.25.020
∅ 18 mm	Brown	# 10.25.031	White	# 10.25.030
∅ 22 mm	Brown	# 10.25.051	White	# 10.25.050
∅ 28 mm	Brown	# 10.25.058	White	# 10.25.059

Other sizes and colours on request



∅20 mm

ADJUSTABLE GLIDE »BETA«

Rigid, Knurled Edge, Bottom Slot for quick mount.

Material: Stud: Steel, Bright Zinc

Base : Polyamid (PA)

Finish: Black, Brown and Grey

Base	Stud	Finish	Item. No
∅ 20 x 7 mm	M6 x 22 mm	Grey	# 10.17.051
∅ 20 x 7 mm	M6 x 22 mm	Black	# 10.17.053
∅ 20 x 7 mm	M6 x 22 mm	Brown	# 10.17.054

Other sizes and colours on request

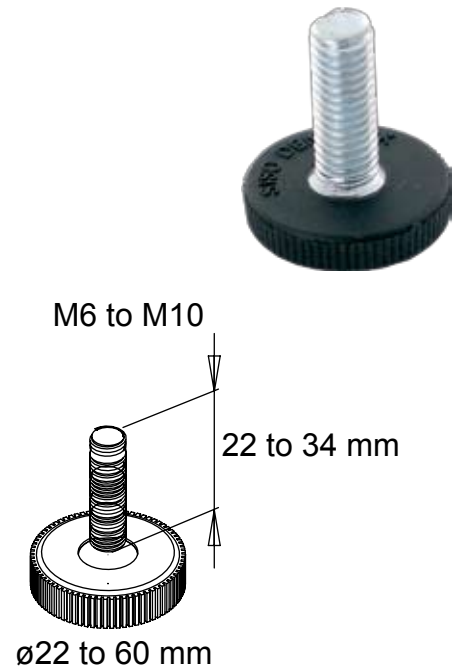
ADJUSTABLE GLIDES

ADJUSTABLE GLIDE »ALPHA«

Rigid, Knurled Edge
 Material: Base: Polyethylene (PE)
 Stud: Steel, Bright Zinc
 Finish: Black

Base	Stud	Finish	Item. No
Ø 15 x 6 mm	M6 x 22 mm	Black	# 10.16.006
Ø 20 x 6 mm	M6 x 22 mm	Black	# 10.16.011
Ø 25 x 6 mm	M6 x 22 mm	Black	# 10.16.025
Ø 25 x 6 mm	M8 x 22 mm	Black	# 10.16.027
Ø 29 x 7 mm	M8 x 22 mm	Black	# 10.16.030
Ø 32 x 8 mm	M8 x 22 mm	Black	# 10.16.035
Ø 38 x 9 mm	M8 x 26 mm	Black	# 10.16.040
Ø 44 x 10 mm	M8 x 26 mm	Black	# 10.16.046
Ø 60 x 10 mm	M10 x 34 mm	Black	# 10.16.120

Other sizes and colours on request

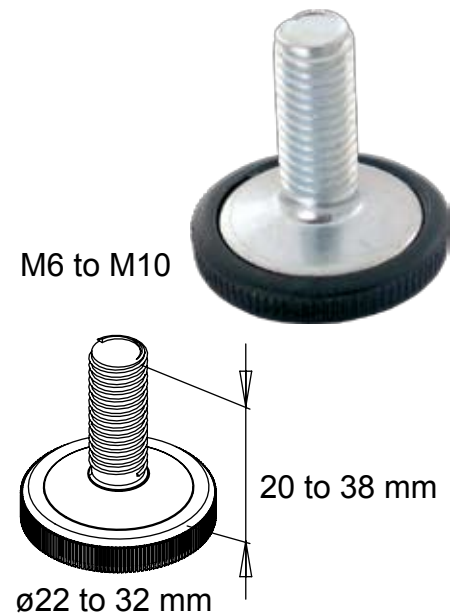


ADJUSTABLE GLIDE »MAU«

Rigid, Knurled Edge
 Material: Stud: Steel & Cover Shell.
 Bright Zinc
 Finish: Black

Base	Stud	Finish	Item. No
Ø 22 x 6 mm	M6 x 20 mm	Black	10.16.210
Ø 28 x 6 mm	M8 x 22 mm	Black	10.16.214
Ø 28 x 6 mm	M8 x 38 mm	Black	10.16.215
Ø 32 x 7 mm	M10 x 25 mm	Black	10.16.230

Other sizes and colours on request

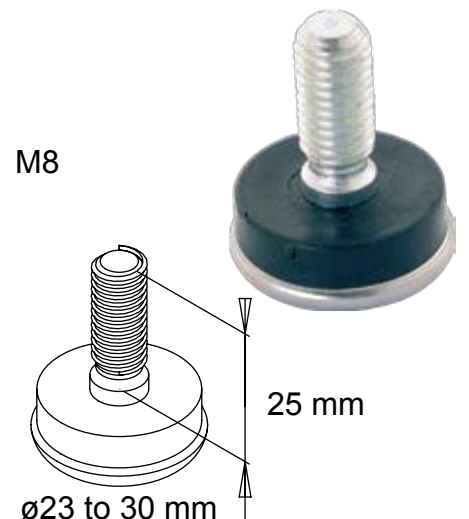


ADJUSTABLE GLIDE »NORFOLK«

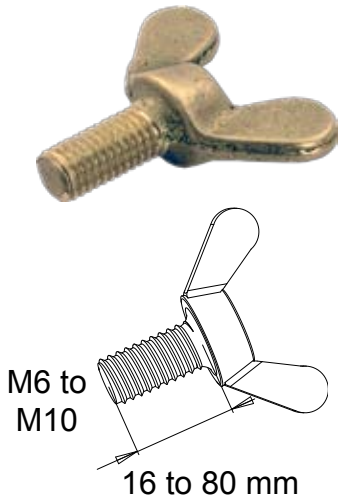
Rigid, Black rubber silencer cushion
 Material: Base: Steel, Nickel Pl. or
 Stainless Steel (SS)
 Stud: Steel Bright Zinc

Base	Stud	Finish	Item. No
Ø 23 x 10 mm	M8 x 25 mm	Nickel pl.	10.21.290
Ø 30 x 10 mm	M8 x 25 mm	SS look	10.21.321

Other sizes and colours on request



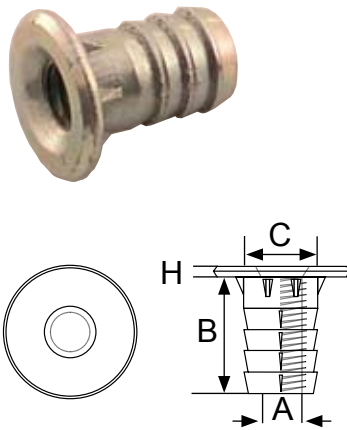
WING SCREW - DIN 316



Material: Steel, Yellow Zinc or Bright Zinc or in Brass, Natural
 Size: M6, M8 or M10
 Lengths: 16 to 80 mm

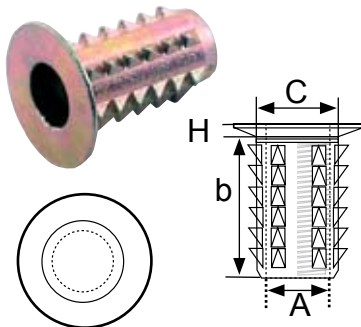
Size	Material	Item No:
M6 x 16 mm	Brass Natural	# 12.12.130-0

KNOCK IN BUSHING »DR«



Material: Steel, Yellow Zinc Plated (YZP) or Bright Zinc Plated (BZP)
 Type: Knock in. With collar

A	B	C	H = Head	YZP	BZP
M6	14 mm	Ø 8,3 mm	Ø 14 x 1,5 mm	# 12.10.710	# 12.10.711
M8	16 mm	Ø 10,5 mm	Ø 19 x 2,5 mm	# 12.10.721	# 12.10.720
M10	17 mm	Ø 12,5 mm	Ø 22 x 2,5 mm	# 12.10.730	# 12.10.731



KNOCK IN BUSHING »BI«

Material: Zamak, Yellow Zinc Plated (YZP)
 Type: Knock in. With countersunk collar

A	B	C	H = Head	Finish	Item No.
M8	20 mm	Ø 10 mm	Ø 19 x 3 mm	YZP	# 12.10.000



- high quality furniture fittings

SISO A/S

Mileparken 11 Phone: (+45) 45 830 900
DK - 2740 Skovlunde (Copenhagen) Fax: (+45) 45 830 444
Denmark E-mail: siso@siso.dk Web: www.siso.dk