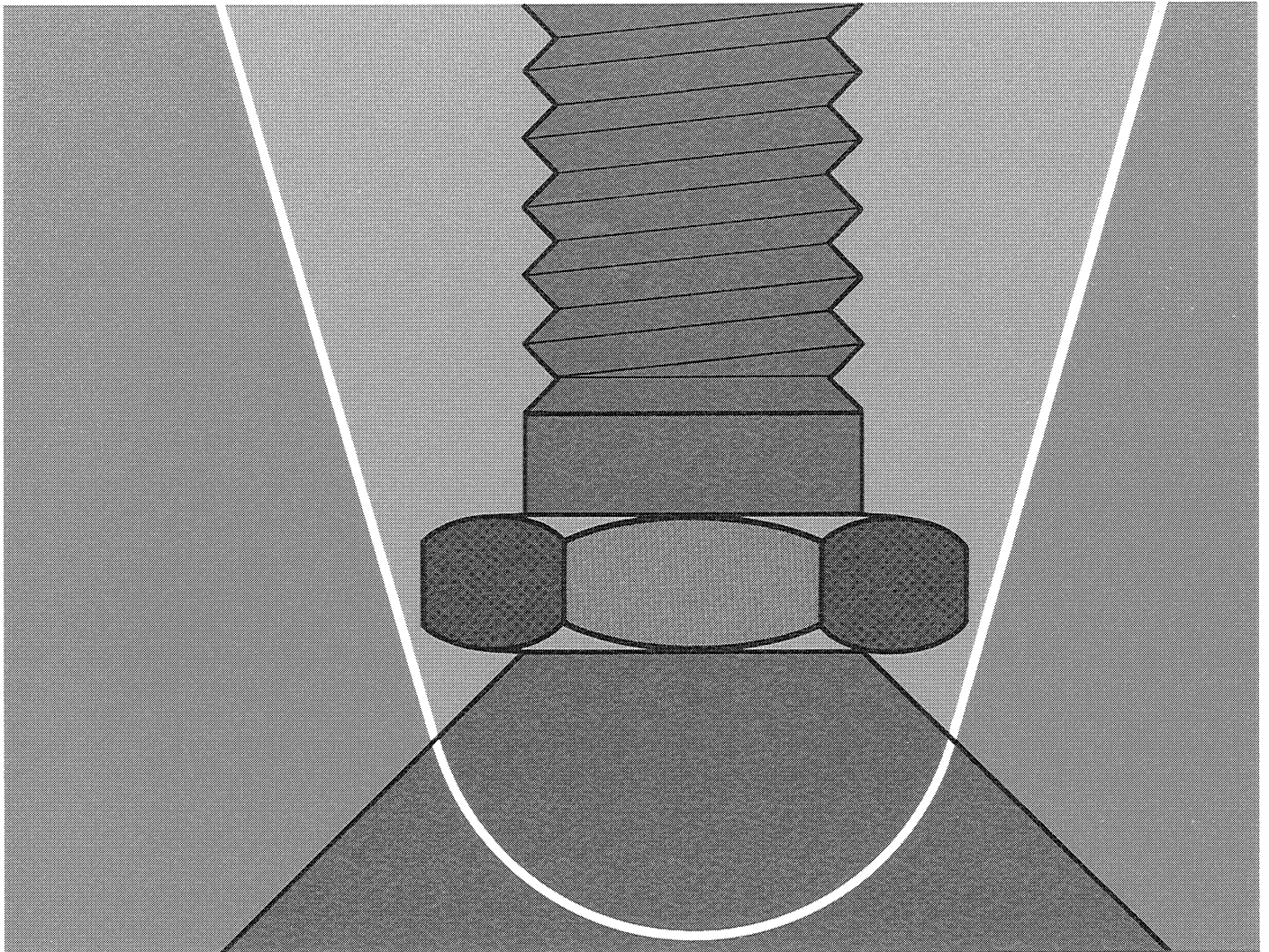


Sisoglide



SISO

SISO A/S · DK-2830 VIRUM · DENMARK

PHONE (+45) 45 83 09 00 · TELEFAX (+45) 45 83 04 44 · (+45) 45 83 04 40

PLASTICAP

For round tubing

Material: PE Polyethylene /
PVC

Colour: Black

TUBE ø
PE: 19, 20, 22,
25, 28 mm

PVC: 32, 35, 40,
45 mm



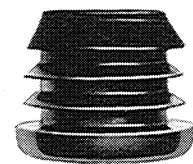
INSERT GLIDE

For round tubing

Material: PE Polyethylene

Colour: Black

TUBE ø
19, 20, 22, 25, 28, 30,
32, 35, 38, 40, 45, 50 mm



INSERT GLIDE

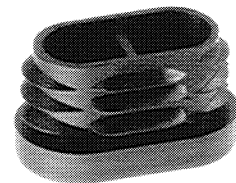
For oval tubing

Material: PE Polyethylene

Colour: Black & White

TUBE ø
20x10, 25x12, 30x15
35x20, 38x20, 40x20 mm

Larger sizes upon request



INSERT GLIDE

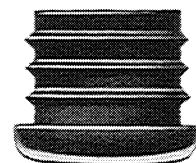
For square tubing

Material: PE Polyethylene

Colour: Black & White

TUBE
18x18, 20x20, 22x22
25x25, 30x30, 40x40,
50x50, 60x60, 70x70 mm

Larger sizes upon request



INSERT GLIDE

For rectangular tubing

Material: PE Polyethylene

Colour: Black & White

TUBE
30x15, 30x20, 30x25
35x20, 35x25, 35x30
40x15, 40x20, 40x25
50x25, 50x30, 50x40
60x20, 60x30, 60x40 mm



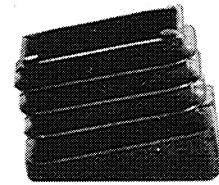
INSERT GLIDE

Ribbed - Angled 10 degrees
For square & rectangular tubing

Material: PE Polyethylene

Colour: Black & White

TUBE	
16x16, 18x18, 20x20, 25x25 mm	Square
20x15, 25x15, 30x15, 30x20 mm	Rectangular



THREADED INSERT

For round tubing

Material: PE Polyethylene

Colour: Black

TUBE	THREAD
ø25 x 1.25 mm	M 6
ø25 x 1.25 mm	M 8
ø25 x 1.50 mm	M 8
ø28 x 1.50 mm	M10
ø30 x 1.25 mm	M10



METAL THREADED INSERT

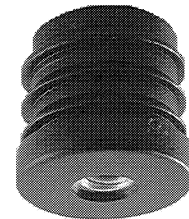
Ribbed - For round tubing

Wall Thickness: 1.25-1.5 mm

Material: PE Polyethylene

Colour: Black

TUBE	THREAD
ø 25 mm	M 8
ø 25 mm	M10
ø 30 mm	M 8
ø 30 mm	M10
ø 38 mm	M10
ø 40 mm	M10
ø 50 mm	M10



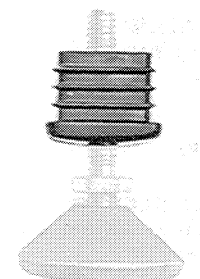
THREADED INSERT

Ribbed - For square tubing

Material: Polypropylene

Colour: Black

TUBE	THREAD
25 x 25 mm	M 6
25 x 25 mm	M 8
25 x 25 mm	M10
30 x 30 mm	M 8
30 x 30 mm	M10



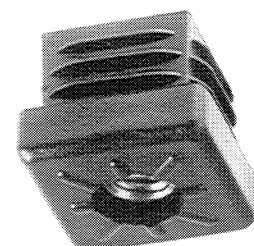
METAL THREADED INSERT

Ribbed - For square tubing

Material: PE Polyethylene

Colour: Black

TUBE	THREAD
25 x 25 mm	M 8
25 x 25 mm	M10
30 x 30 mm	M 8
30 x 30 mm	M10

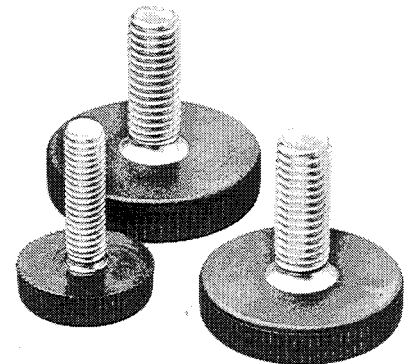


ALPHA

Adjustable Glide, Rigid

Base: Polyethylene (PE)
 Colour: Black
 Stud: Steel, BZP

	Base	Stud	Ref No
PE	∅ 12 x 6 mm	M 5 x 22 mm	
PE	∅ 15 x 6 mm	M 6 x 22 mm	10.16.006
PE	∅ 20 x 6 mm	M 6 x 22 mm	10.16.011
PE	∅ 25 x 6 mm	M 6 x 22 mm	10.16.025
PE	∅ 25 x 6 mm	M 8 x 21 mm	10.16.027



Adjustable Glide, Rigid

Base: Polyamid (PA)
 Colour: Black
 Stud: Steel, BZP

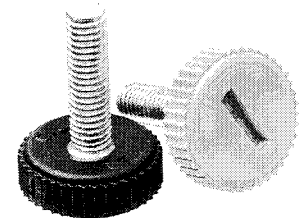
PA	∅ 29 x 7 mm	M 8 x 21 mm	10.16.030
PA	∅ 32 x 8 mm	M 8 x 21 mm	10.16.035
PA	∅ 38 x 9 mm	M 8 x 26 mm	10.16.040
PA	∅ 44 x 10 mm	M 8 x 26 mm	10.16.046
PA	∅ 60 x 10 mm	M10 x 34 mm	10.16.120

BETA

Adjustable Glide, Rigid
 Bottom Slot for Quick Mount

Base: Polyamid (PA)
 Colours: Grey, Brown, Black
 Stud: Steel, BZP

Colour	Base	Stud	Ref No
Grey	∅ 20 x 7 mm	M 6 x 22 mm	10.17.051
Brown	∅ 20 x 7 mm	M 6 x 22 mm	10.17.054
Black	∅ 20 x 7 mm	M 6 x 22 mm	10.17.053

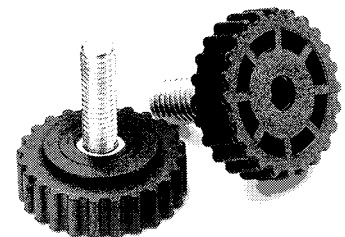


SOLO

Adjustable Glide, Rigid
 Knurled Rim for Adjustment

Base: Polyamid (PA)
 Colours: Black
 Stud: Steel, BZP

	Base	Stud	Ref No
PA	∅ 29 x 10 mm	M 6 x 19 mm	10.17.070
PA	∅ 29 x 10 mm	M 8 x 19 mm	10.17.071

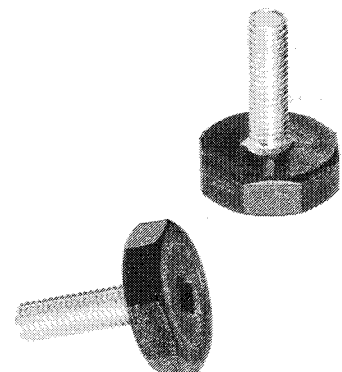


OCTO

Adjustable Glide, Rigid
 Octagonal Base with Square
 Bottom Hole for Quick Mount
 in Polyamid version

Base: Polyamid (PA)
 Polyethylene (PE)
 Colour: Black
 Stud: Steel, BZP

	Base	Stud	Ref No
PA	27 x 8 mm	M 8 x 21 mm	
PA	27 x 9 mm	M 10 x 35 mm	
PE	30 x 12 mm	M 8 x 22 mm	
PE	30 x 12 mm	M 10 x 22 mm	



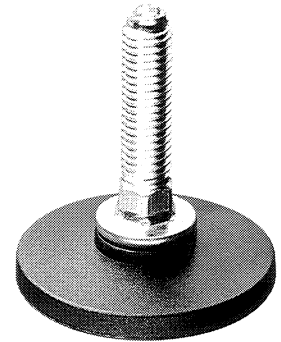
TIME

Adjustable Glide, Swivel
Jacking Action - Hex + Slot

	Base	Stud	Ref No
Black	ø 50 mm	M 10 x 56 mm	10.13.510
Black	ø 50 mm	M 10 x 98 mm	10.13.520

Base: Polypropylene
Colour: Black
Stud: Steel, BZP
Capacity: 1600-2000 kilos

BZP = Bright Zinc Plated

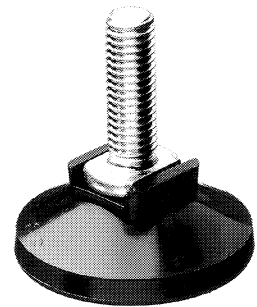


THAMES

Adjustable Glide, Rigid
Jacking Action

	Base	Stud	Ref No
	ø 25 mm	M 8 x 25 mm	10.15.023
	ø 40 mm	M 8 x 25 mm	10.15.025

Base: Polypropylene
Colour: Black
Stud: Steel, BZP

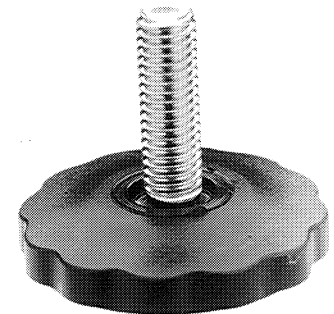


VELA

Adjustable Glide, Rigid

	Base	Stud	Ref No
	ø 40 mm x 8 mm	M 8 x 24 mm	
	ø 40 mm x 8 mm	M 8 x 40 mm	
	ø 50 mm x 8 mm	M 8 x 24 mm	
	ø 50 mm x 8 mm	M 8 x 40 mm	
	ø 50 mm x 8 mm	M 10 x 22 mm	

Base: Polyethylene
Colours: Black (RAL 9004)
Grey (RAL 7035)
Antracite (7016)
Stud: Steel, BZP

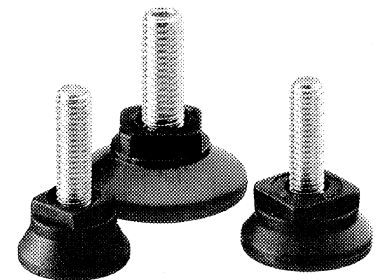


JACK

Adjustable Glide, Rigid
Jacking Action
Bottom Slot for Quick Mount

	Base	Stud	Ref No
	ø 25 mm	M 8 x 25 mm	10.15.320
	ø 30 mm	M 8 x 25 mm	10.15.330
	ø 40 mm	M 10 x 25 mm	10.15.340

Base: Polypropylene
Colour: Black
Stud: Steel, BZP

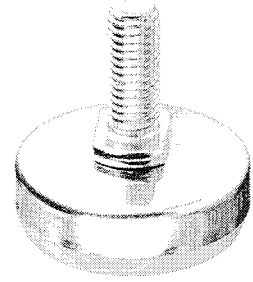


TITAN

Adjustable Glide, Rigid
Jacking Action

Cover Shell: Bright Zinc Plated
Base: Polypropylene
Colour: White
Stud: Steel, BZP

Base		Stud	Ref No
BZP	ø 25 mm	M 8 x 20 mm	10.12.070
BZP	ø 35 mm	M 8 x 20 mm	10.12.080
BZP	ø 45 mm	M 8 x 20 mm	10.12.100
BZP	ø 45 mm	M 10 x 20 mm	10.12.110

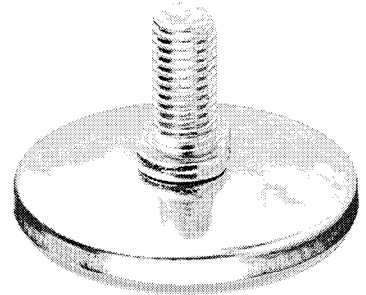


GASCOYNE

Adjustable Glide, Rigid
Jacking Action

Cover Shell: Bright Zinc Plated
Electro Chrome
Base: Polypropylene
Colour: White
Stud: Steel, BZP

Base		Stud	Ref No
BZP		M 8 x 20 mm	10.13.030
BZP	ø 50 mm	M 10 x 20 mm	10.13.040
CPL	ø 50 mm	M 8 x 20 mm	10.13.130
CPL	ø 50 mm	M 10 x 20 mm	10.13.140

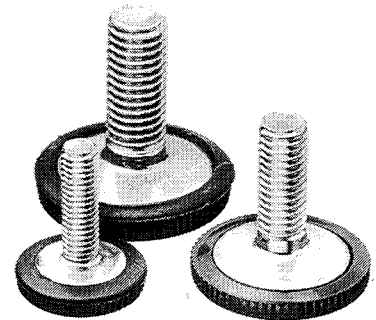


MAU

Adjustable Glide, Rigid
Knurled Edge

Cover Shell: Bright Zinc Plated
Base: Polypropylene
Colour: Black
Stud: Steel, BZP

Base		Stud	Ref No
BZP / Black ø 22 mm		M 6 x 20 mm	10.16.210
BZP / Black ø 28 mm		M 8 x 38 mm	10.16.215
BZP / Black ø 32 mm		M 10 x 25 mm	10.16.230



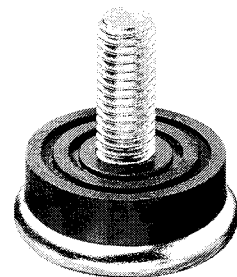
NORFOLK

Adjustable Glide, Rigid
Rubber Silencer Cushion

Base: Steel, Nickelplated
Cushion: Black
Stud: Steel, BZP

Base		Stud	Ref No
NPL	ø 23 mm	M 8 x 25 mm	10.21.290
NPL	ø 30 mm	M 8 x 25 mm	10.21.311
NPL	ø 40 mm	M 8 x 25 mm	

Also available with Stainless Steel Base

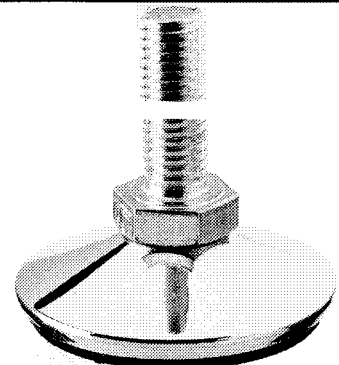


STRATO

Adjustable Glide, Rigid
Jacking Action

Cover Shell: Electro Chrome
Base: Polypropylene
Colour: Black
Stud: Steel, BZP

Base		Stud	Ref No
CPL	ø 50 mm	M 10 x 60 mm	10.12.300

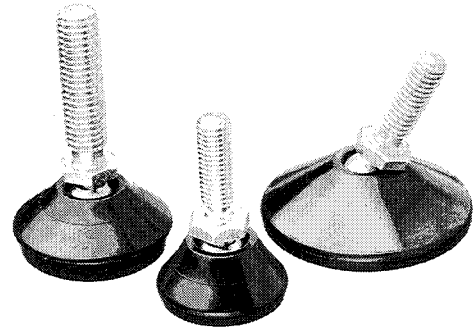


CONWAY

Adjustable Glide, Oscillating Pin
& Jacking Action

Base: Polypropylene
Colour: Black
Stud: Steel, BZP

Base	Stud	Ref No
30 mm	M 8 x 25 mm	10.08.130
38 mm	M 8 x 25 mm	10.08.150
38 mm	M 10 x 38 mm	10.08.160
50 mm	M 8 x 25 mm	10.08.170
50 mm	M 10 x 38 mm	10.08.180



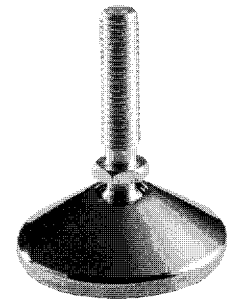
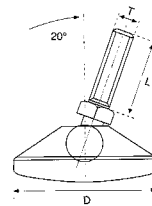
COLORADO

Adjustable Glide, Oscillating Pin
& Jacking Action

Cover Shell: Bright Zinc Plated
Electro Chrome
Base: Polypropylene
Colour: White
Stud: Steel, BZP

Cover	Base ø 50 mm	Stud
BZP	10.08.210	M 8 x 25 mm
BZP	10.08.220	M 10 x 38 mm
CPL	10.08.230	M 8 x 25 mm
CPL	10.08.240	M 10 x 38 mm

Also available with *flat base*

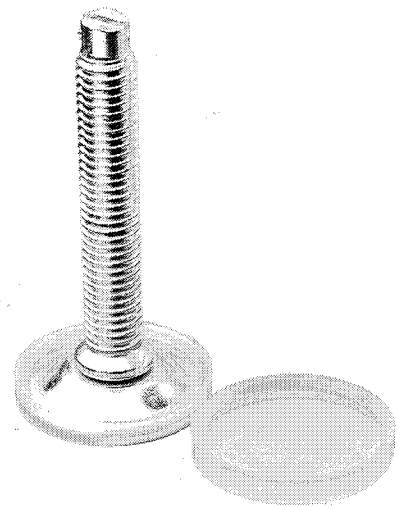


COMO

Adjustable Glide, Swivel
w/ Floor Protection Cap

Base: Steel, BZP
Stud: Steel, BZP
Slotted

	Base	Stud	Ref No
BZP	∅ 33 mm	M8 x 70 mm	10.16.250
BZP	∅ 33 mm	M8 x150 mm	10.16.260
BZP	∅ 33 mm	M10x100 mm	10.16.270



MEGA

Adjustable Glide, Swivel
Heavy Duty

Base: Steel, BZP
Stud: Steel, BZP - Hex Socket

	Base	Stud	Ref No
BZP	∅ 60 mm	M12 x 60 mm	10.09.010

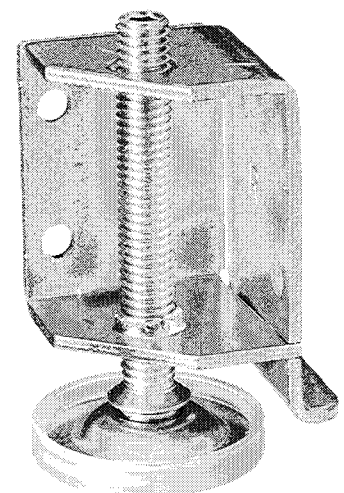
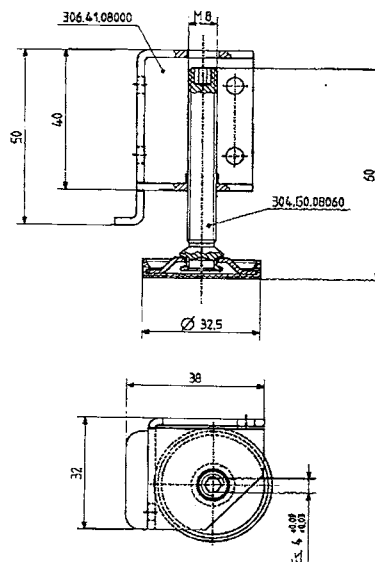


ANGOLO

Corner Bracket, Left or Right
w/ Adjustable Glide and Floor
Protection Cap

Bracket: Steel, BZP
Base: Steel, BZP
Stud: Steel, BZP, Hex Socket

Corner	Base	Stud	Ref No
Left	∅ 32.5 mm	M 8 x 60 mm	10.16.510
Right	∅ 32.5 mm	M 8 x 60 mm	10.16.511



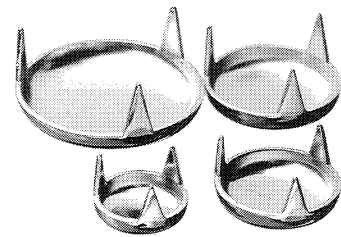
3 PRONG GLIDE

Steel Glide w/ 3 Prongs

Material: Steel, NPL

Finish: Nickelplated

Base	Ref No	Base	Ref No
10 mm	10.23.010	24 mm	10.23.070
13 mm	10.23.020	27 mm	10.23.080
15 mm	10.23.030	30 mm	10.23.090
18 mm	10.23.040	35 mm	10.23.100
20 mm	10.23.050	38 mm	10.23.110
22 mm	10.23.060		



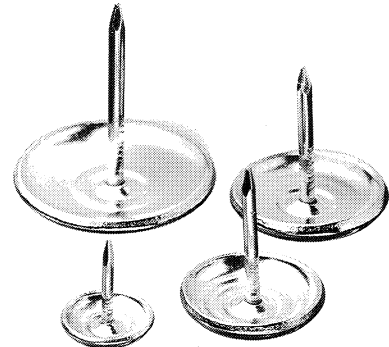
STEEL GLIDE

Nail-On Glide w/ 16 mm Nail

Material: Steel, NPL

Finish: Nickelplated

Base	Ref No	Base	Ref No
13 mm	10.22.020	23 mm	10.22.080
15 mm	10.22.040	25 mm	10.22.090
16 mm	10.22.050	28 mm	10.22.100
18 mm	10.22.060	30 mm	10.22.110
20 mm	10.22.070	35 mm	10.22.120



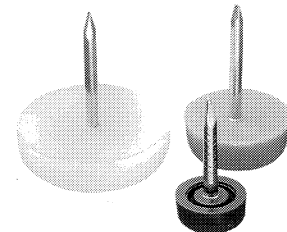
PLASTITACK

Nail-On Glide w/ 15 mm Nail

Material: Polyamid (PA)

Colours: White
Brown

Base	Colour	Ref No
ø 10 mm	White	10.25.010
ø 15 mm	White	10.25.020
ø 18 mm	White	10.25.030
ø 20 mm	White	10.25.040
ø 22 mm	White	10.25.050
ø 25 mm	Brown	10.25.055
ø 30 mm	Brown	10.25.060



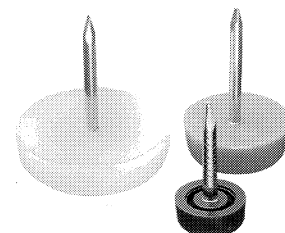
PLASTITACK

Nail-On Glide w/ 15 mm Nail

Material: Polyethylene PE

Colours: White
Brown

Base	Colour	Ref No
ø 15 mm	Brown	10.25.021
ø 18 mm	Brown	10.25.031
ø 18 mm	White	10.25.030-1
ø 22 mm	White	10.25.050-1



NORFOLK NAIL

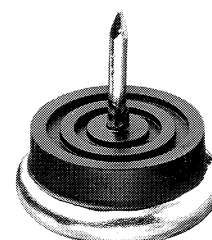
Nail-On Glide with
Rubber Silencer Cushion

Base: Steel, Nickelplated

Cushion: Black

Nail: 16 mm

Base		Ref No
NPL	ø 18 mm	10.21.010
NPL	ø 20 mm	10.21.020
NPL	ø 23 mm	10.21.030
NPL	ø 26 mm	10.21.040
NPL	ø 30 mm	10.21.050
NPL	ø 40 mm	10.21.060



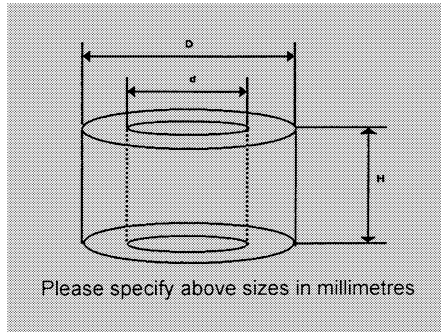
DISTANCE SPACERS

Material: PE Polyethylene

Diametres: 6, 8, 10, 12,
15, 18, 20, 22,
25, 32, 40 mm

Hole: For M3, M4, M5,
M6, M8, M10, M12

Colour: Black

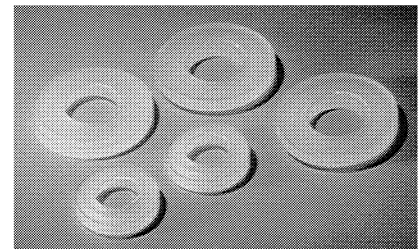
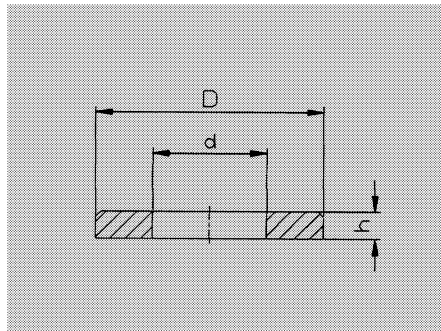


NYLON WASHERS

Material: PA Polyamid

Colour: Transparent (clear)

D	d	h	Box
8 mm	4.3 (M 4)	1.5 mm	1000
12 mm	6.5 (M 6)	1.5 mm	1000
17 mm	8.6 (M 8)	2.0 mm	1000
21 mm	10.6 (M10)	2.5 mm	1000
24 mm	13.0 (M12)	2.5 mm	1000
30 mm	17.0 (M16)	3.0 mm	1000



TUBE SLIDE

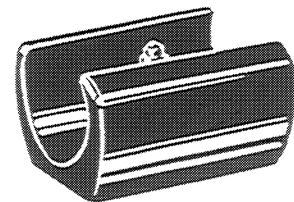
with fixation pin

For round tubing

Material: PE Polyethylene

Colour: Black

TUBE ϕ	LENGTH
18 - 20 mm	28,5 mm
20 - 22 mm	29,0 mm
22 - 25 mm	43,5 mm
28 - 30 mm	43,0 mm
30 - 32 mm	43,0 mm
32 - 35 mm	42,5 mm



TUBE SLIDE

with two holes

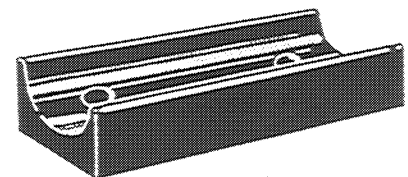
For round tubing

Material: PE Polyethylene

Colour: Black

TUBE ϕ	LENGTH
18 - 22 mm	53,5 mm
22 - 25 mm	49,8 mm
28 - 30 mm	44,8 mm
40 mm	49,8 mm
45 mm	46,5 mm

Also available in Nylon (PA)



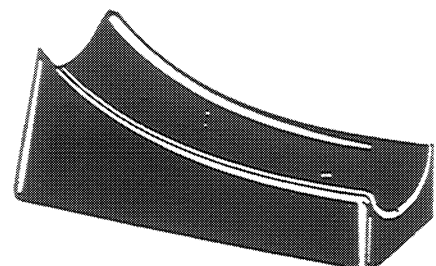
TUBE SLIDE

For bent tubing

Material: PE Polyethylene

Colour: Black

TUBE ϕ	LENGTH
22 mm	71,0 mm
32 mm	75,0 mm
38 mm	75,0 mm



SUCTION PADS

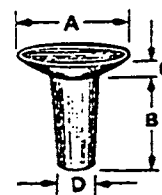
For glass table tops

Material: PVC

Colour: Transparent

Packing: 5,000 pcs

ø A	B	C	ø D	Ref. No.
15 mm	10 mm	4 mm	6 mm	10.38.210
20 mm	9 mm	6 mm	6 mm	10.38.220



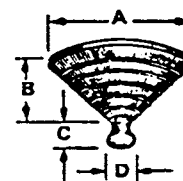
SUCTION PADS

For glass table tops

Material: PVC

Colour: Transparent

ø A	B	C	ø D	Ref. No.
20 mm	10 mm	4 mm	6 mm	10.38.310
25 mm	12 mm	5 mm	7 mm	
30 mm	13 mm	5 mm	8 mm	



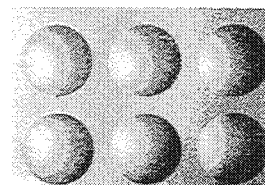
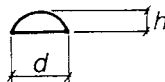
BUMBER DISCS

Self adhesive Silencers

Material: PVC, soft

Colour: Transparent

ø d	h	Box	Ref. No.
7 mm	1.5 mm	2.500 pcs	10.39.010
10 mm	1.5 mm	5.000 pcs	10.39.020
10 mm	3.0 mm	5.000 pcs	10.39.030
13 mm	4.0 mm	5.000 pcs	10.39.040



FELT PADS

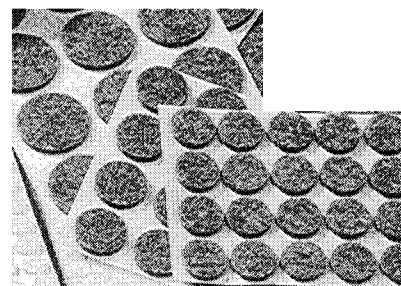
Self adhesive protectors

Shape: Round or square

Colour: Brown
White (standard)

Minimum: 10,000 pcs

ø Diameter	No / Sheet	Ref. No.
ø 17 mm	20 pcs	10.50.010
ø 20 mm	16 pcs	10.50.021
ø 28 mm	12 pcs	10.50.040
ø 38 mm	4 pcs	
100 x 150 mm	1 pce	



TUBE RIVET FELT GLIDE

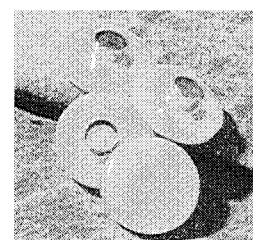
Self adhesive protectors

Colour: White (standard)
Brown

Minimum: 1,200 pcs

Also available without felt pad

ø Diameter	No / Box	Ref. No.
ø 18 mm	400 pcs	10.50.110
ø 22 mm	300 pcs	
ø 26 mm	200 pcs	
ø 37 mm	100 pcs	
ø 20 mm	400 pcs	10.50.160



CONCEALED ADJUSTER

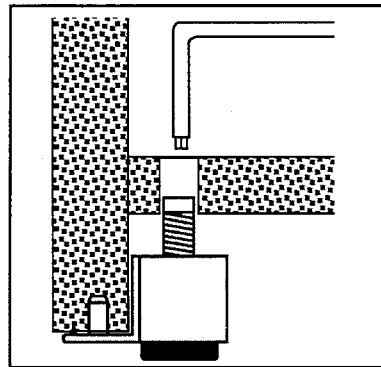
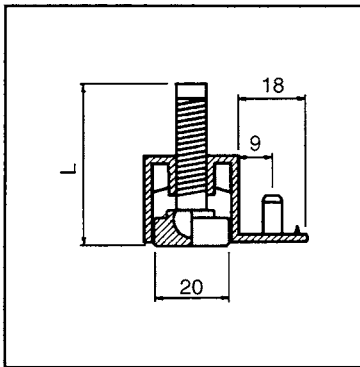
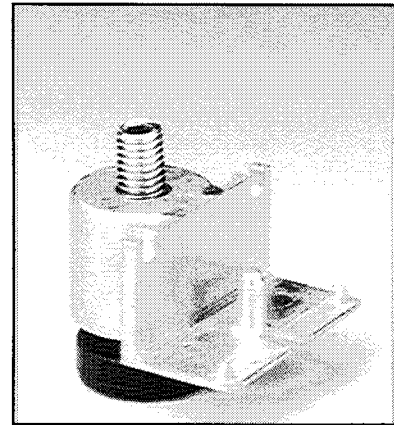
Panel Height Adjuster for 18 - 30 mm
Panel Thickness.

House: Die Cast, Natural

Base: \varnothing 20 mm Black

Stud: Steel, BZP
M8 x 42 mm # 10.16.340

Capacity: 150 kilos



PANEL SHOE w/ ADJUSTER

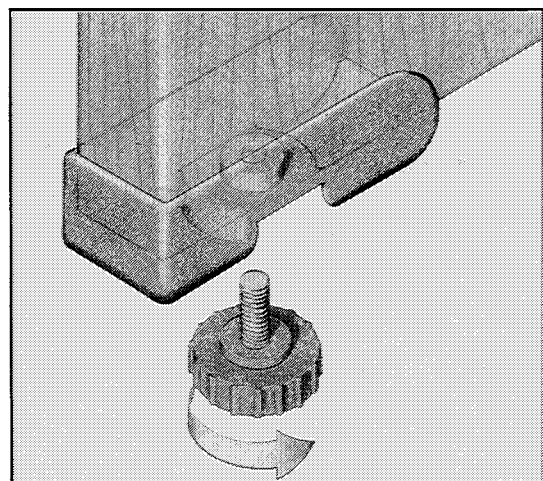
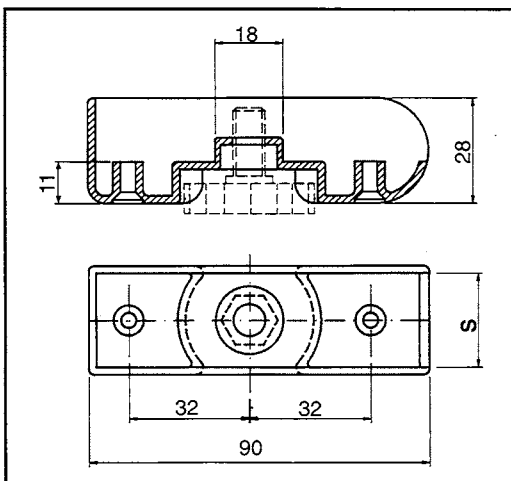
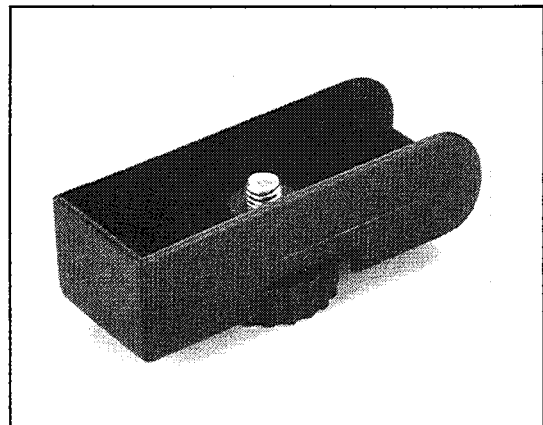
Material: Nylon, Black

Panel Size: 25, 28 & 30 mm

Stud: Steel, BZP

Base: Nylon, Black - Knurled

Panel	Adjustable Glide	Ref. No.
25 mm	\varnothing 30 mm M8x22mm	10.16.350
28 mm	\varnothing 35 mm M8x22mm	10.16.360
30 mm	\varnothing 35 mm M8x22mm	10.16.370



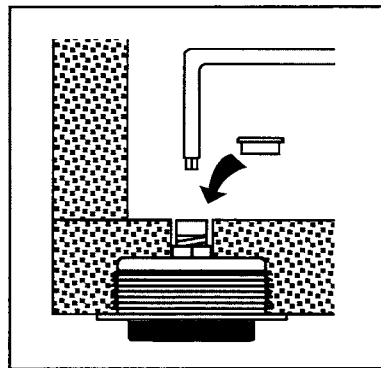
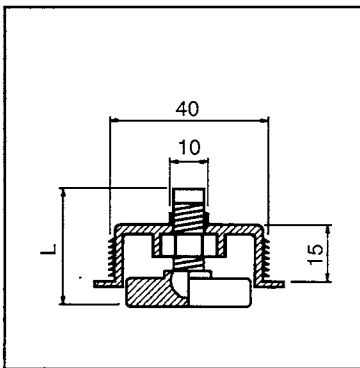
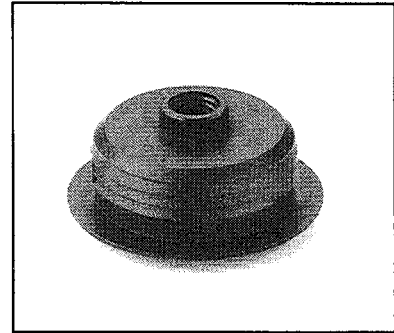
MORTISE LEVELLER

Carcase Height Adjuster
w/ Built In Glide - Knock In Mounting

Material: Nylon, Black
Bore: \varnothing 40 x 15 mm

Base: \varnothing 20 mm Black
Stud: Steel, BZP, Hex Socket

Capacity: 150 kilos



Stud	Ref. No.
M8 x 22 mm	# 10.16.300
M8 x 32 mm	# 10.16.310

CUP LEVELLER

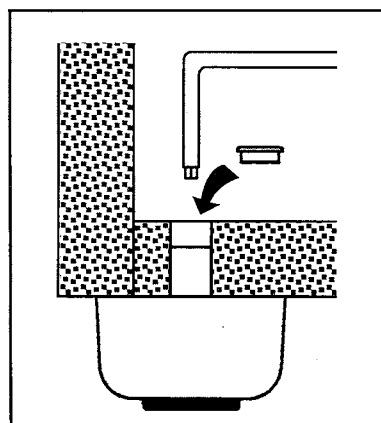
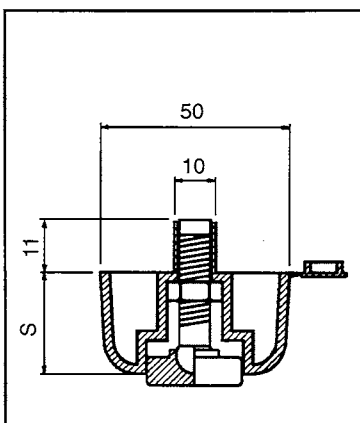
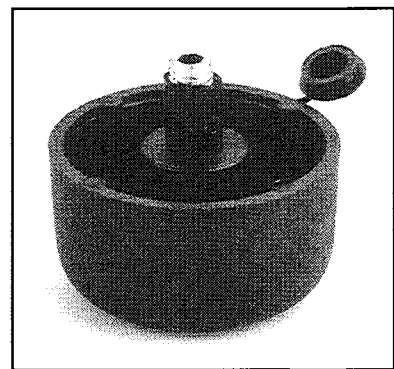
Carcase Height Adjuster
w/ Built In Glide - Knock In Mounting

Material: Nylon, Black

Diameter: 50 mm
Height: 27 mm

Bore: \varnothing 10 mm

Stud: Steel, BZP, Hex Socket
Base: \varnothing 25 mm - Nylon, Black



Ref. No.	# 10.16.410
----------	-------------

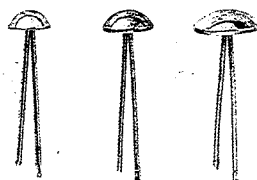
Polsternägel



Art.-Nr.	1 1/4	20 1/3	50 1/3	60 1/3	90 1/3	100 1/3	110 1/3	130 1/3	160 1/3
mm Ø	6,0	6,5	7,5	8,0	9,0	9,5	10,0	11,0	12,5

Polsternägel
Chair-Nails
Clous de tapissiers
Tachuelas para tapizar

flach gewölbt/flat heads
lentilles/cabeza redonda baja



alle Nägel mit Klammer lieferbar

all nails available with 2 prongs

tous les clous disponibles avec
2 tiges

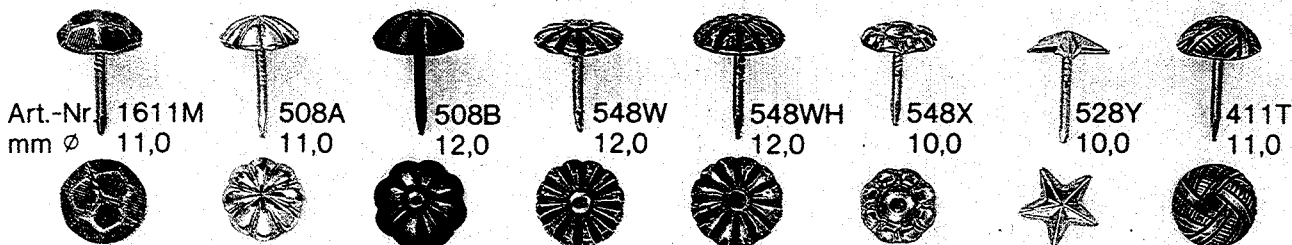
todos los clavos son disponi-
bles con 2 puntas



Art.-Nr.	5/0	3/0	0	20 1/2	610	630	650	660	670
mm Ø	4,0	4,5	5,5	6,5	8,0	9,0	10,0	10,5	11,0

hochgewölbt
domed heads
tete bombée
cabeza redonda alta

Ziernägel
Fancy Nails
Clous de fantaisie
Tachuelas de Fantasia



Art.-Nr.	1611M	508A	508B	548W	548WH	548X	528Y	411T
mm Ø	11,0	11,0	12,0	12,0	12,0	10,0	10,0	11,0

Farben gemäß Preisliste und Farbkarte
Colours as per price-list and colour-board
Couleurs suivant prix-courant et carte de couleurs
Colores segun lista de precios y mapa de colores